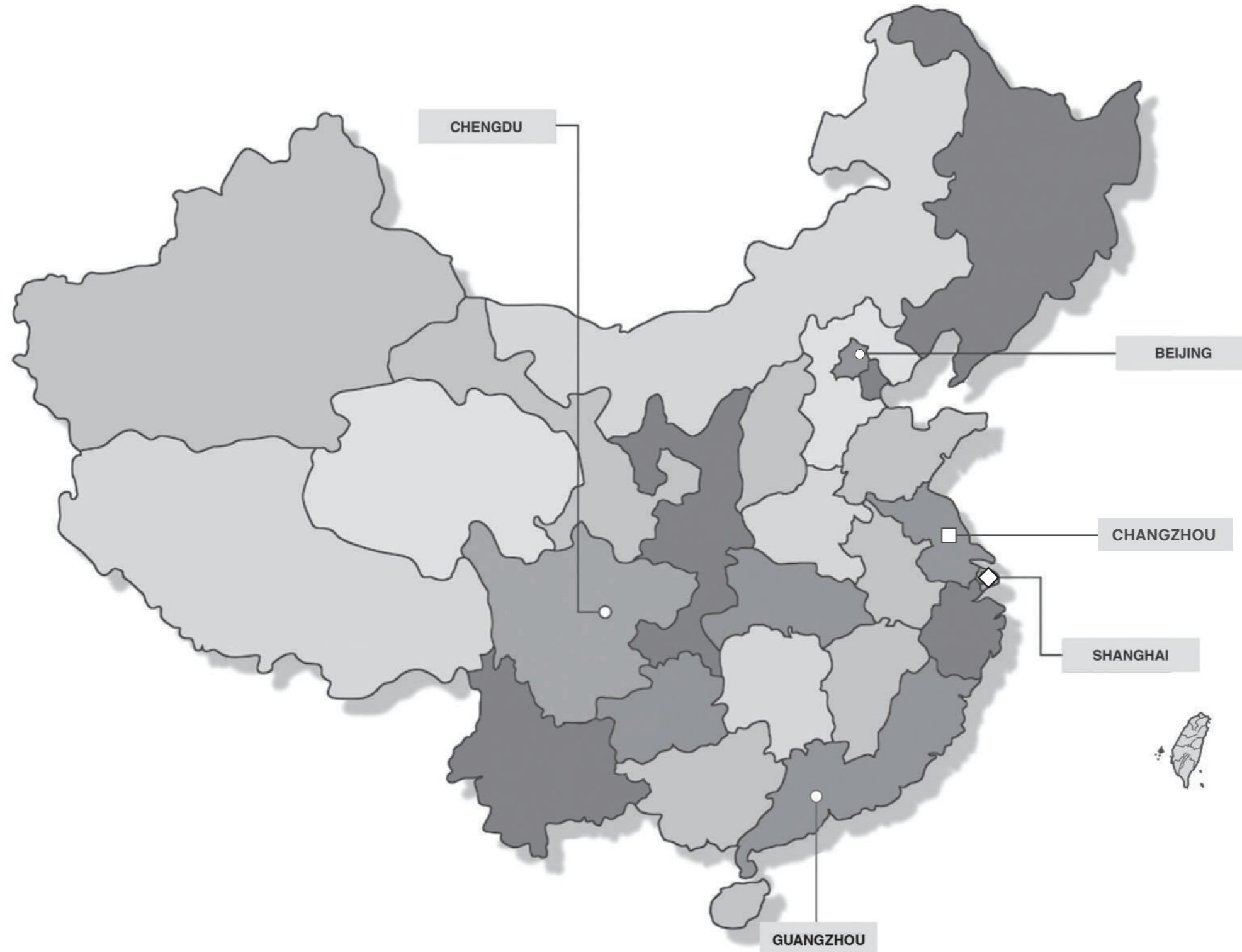


ALUCOBOND® ALUCORE® clad

2016



ALUCOBOND® A2 / plus / PE ALUCORE® / ALUCORE® clad



- ◆ - Alucobond Head Office
- - Alucobond Plant
- - Alucobond Sales Offices

3A COMPOSITES (CHINA) LTD.

Room 1902-1903
Feng Sheng Chuang Jian Building
Mengzi road No. 763
Huangpu Shanghai
China
Telephone: 021 5813 5353
Fax: 021 5813 5333
Email: alucobond.china@3acomposites.com
www.alucobond.com.cn

思瑞安复合材料(中国)有限公司

上海市
蒙自路763号
丰盛创建大厦
1902-1903室
电话: 021 5813 5353
传真: 021 5813 5333
电邮: alucobond.china@3acomposites.com
www.alucobond.com.cn

ALUCOBOND COMPOSITES (JIANGSU) LTD.

10 South Hehuan Road
Zhonglou, Changzhou 213023, China
Telephone: 0519 8166 5766
Fax: 0519 8166 5999

阿鲁克邦复合材料(中国)有限公司

中国江苏常州钟楼区
合欢南路10号213023
电话: 0519 8166 5766
传真: 0519 8166 5799

SALES OFFICES IN CHINA:

思瑞安复合材料(中国)有限公司北京办事处
北京市东城区朝阳门内大街南竹竿胡同6号北京INN三号楼1007室
邮编: 100010
电话: 010 6552 6755
传真: 010 6552 7055
Room 1007, Nan Zhu Gan Hu Tong No.6, Beijing INN Building 3
Chaoyang Inner Street, Dongcheng District, 100010 Beijing.
Telephone: 010 6552 6755
Fax: 010 6552 7055

思瑞安复合材料(中国)有限公司广州办事处

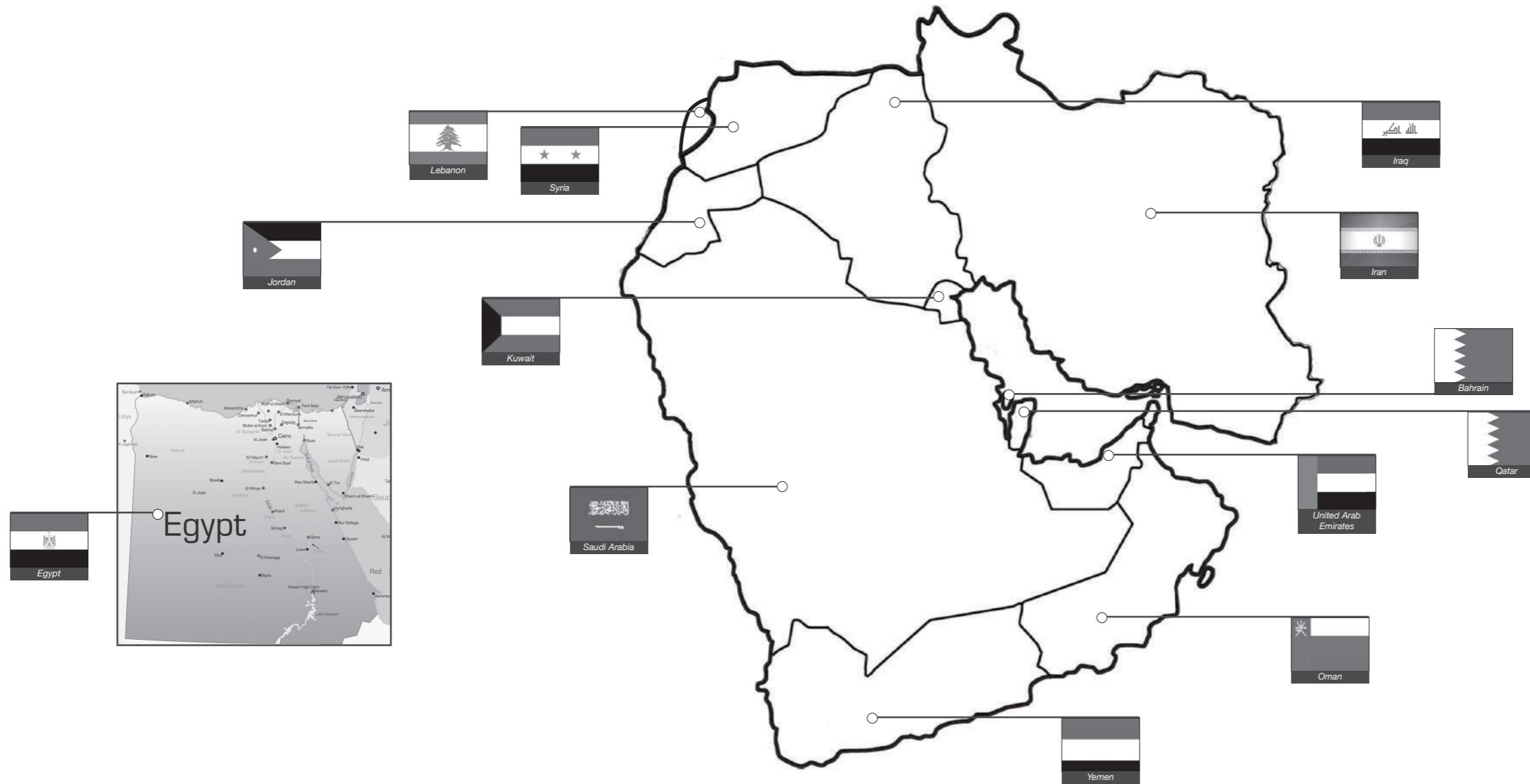
广州市天河区天河路373号隆德大厦东座2907室
邮编: 510000
电话/传真: 020 8526 1031
East Room 2907, Longde Tower, No.373 Tianhe
Road, Tianhe District, 510000 Guangzhou.
Telephone/Fax: 020 8526 1031

思瑞安复合材料(中国)有限公司成都办事处

成都市武侯区人民南路四段新希望商鼎国际大厦2栋
2单元2108, 邮编: 610041
电话/传真: 028 6151 2160
Room 2108, Section 4, People's South Road,
New Hope Shangding International Tower,
Wuhou District, 610041 Chengdu.
Telephone/Fax: 028 6151 2160

For more information, please contact us.
如有需求, 敬请联络

ALUCOBOND® A2 / plus / PE ALUCORE® / ALUCORE® clad



MIDDLE EAST SUPPORT CENTRE:

3A COMPOSITES MIDDLE EAST (BRANCH)
Almas Tower, JLT
P.O. Box 340 505
Dubai, U.A.E
Mobile: (971) 50 5574676
Email: markus.setz@3acomposites.com
www.alucobond.com

FAR EAST SUPPORT CENTRE:

ALUCOBOND (FAR EAST) PTE LTD
6 Shenton Way #40-05
OUE Downtown 1
Singapore 068809
Tel: (65) 6303 9750
Fax: (65) 6303 9751
Email: sales@alucobond.com.sg
www.alucobond.com.sg

MANUFACTURER:

3A COMPOSITES GMBH
Alusingen-Platz 1
78224 Singen/Germany
Telephone: (49) 7731 802347
Telefax: (49) 7731 802845
Email: info.eu@alucobond.com
www.alucobond.com

MANUFACTURER:

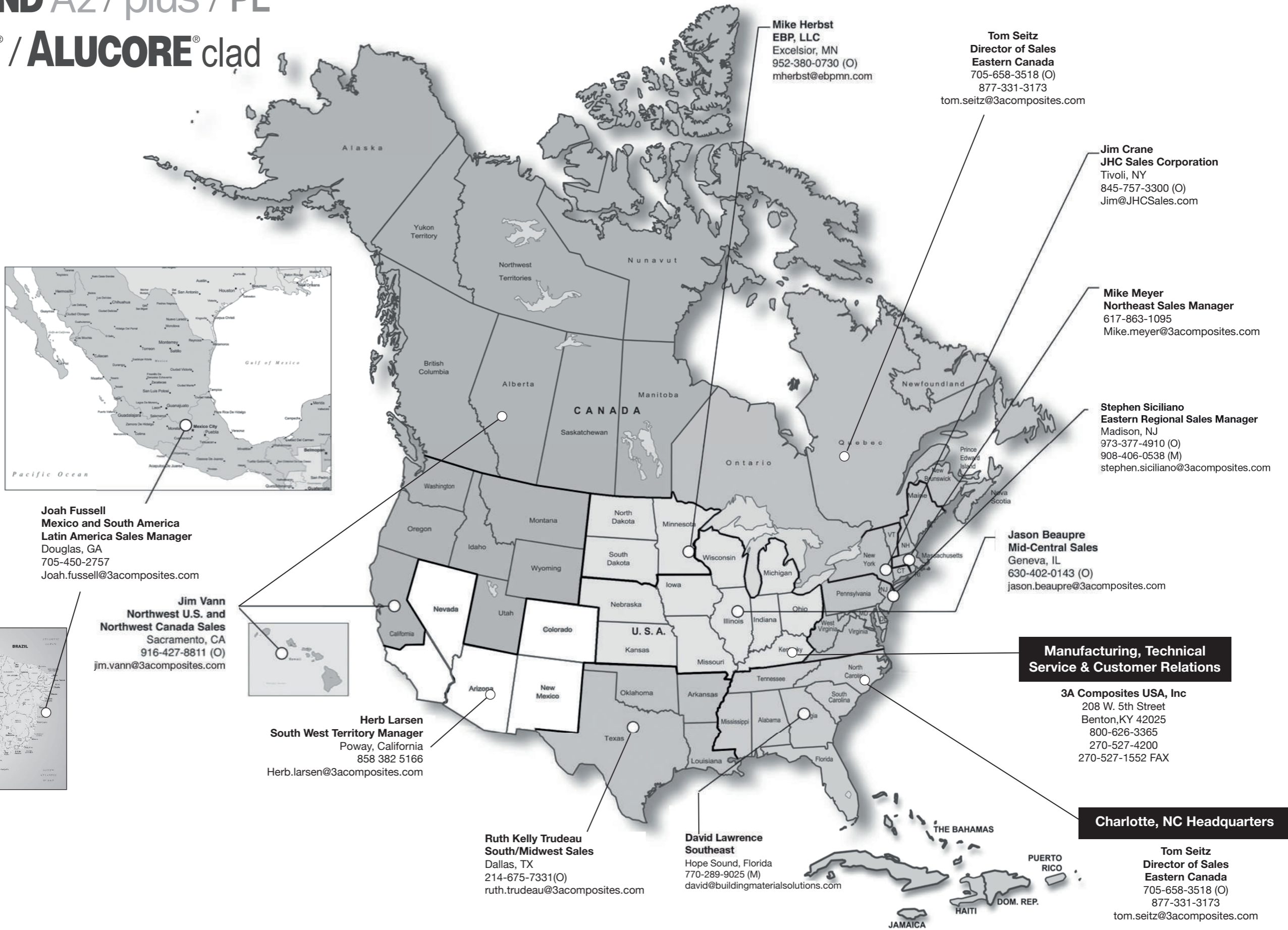
3A COMPOSITES (CHINA) LTD.
298 East Kangqiao Road
Pudong, Shanghai 201319, China
Telephone: (86) 21 5813 5353
Telefax: (86) 21 5813 5333
Email: alucobond.china@3acomposites.com
www.alucobond.com.cn

MANUFACTURER:

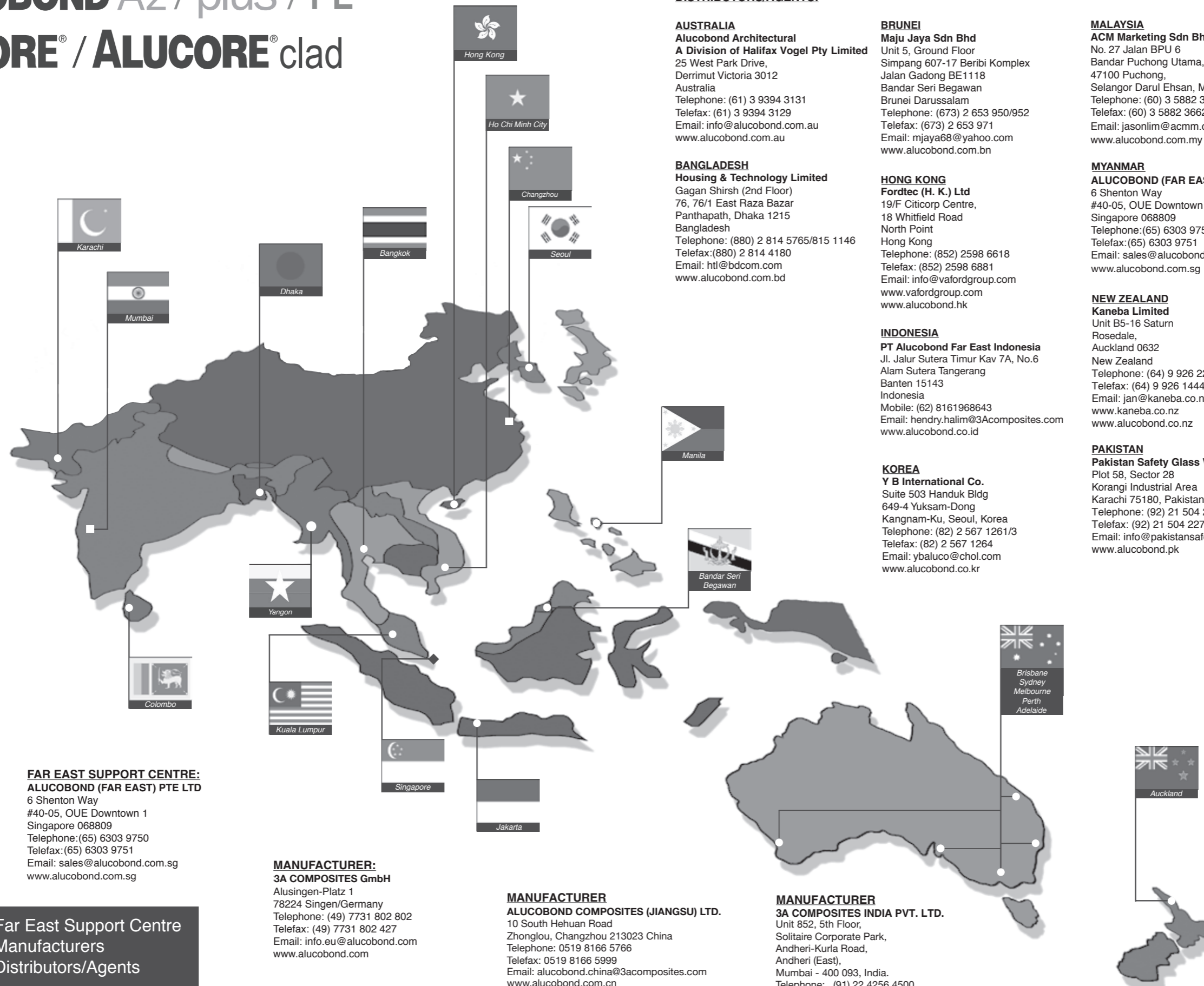
3A COMPOSITES INDIA PVT. LTD.
Unit 852, Building 8, 5th Floor,
Solitaire Corporate Park, Andheri (East)
Mumbai 400 093
Telephone: (91) 22 4256 4500
Fax: (91) 22 4256 4545
Email: info.india@alucobond.com
www.alucobond.in

ALUCOBOND® A2 / plus / PE

ALUCORE® / ALUCORE® clad



ALUCOBOND® A2 / plus / PE ALUCORE® / ALUCORE® clad



DISTRIBUTORS/AGENTS:

AUSTRALIA
Alucobond Architectural
A Division of Halifax Vogel Pty Limited
25 West Park Drive,
Derrimut Victoria 3012
Australia
Telephone: (61) 3 9394 3131
Telefax: (61) 3 9394 3129
Email: info@alucobond.com.au
www.alucobond.com.au

BANGLADESH
Housing & Technology Limited
Gagan Shirsh (2nd Floor)
76, 76/1 East Raza Bazar
Panthapath, Dhaka 1215
Bangladesh
Telephone: (880) 2 814 5765/815 1146
Telefax: (880) 2 814 4180
Email: htl@bdcom.com
www.alucobond.com.bd

BRUNEI
Maju Jaya Sdn Bhd
Unit 5, Ground Floor
Simpang 607-17 Beribi Komplex
Jalan Gadong BE1118
Bandar Seri Begawan
Brunei Darussalam
Telephone: (673) 2 653 950/952
Telefax: (673) 2 653 971
Email: mjaya68@yahoo.com
www.alucobond.com.bn

HONG KONG
Fordtec (H. K.) Ltd
19/F Citicorp Centre,
18 Whitfield Road
North Point
Hong Kong
Telephone: (852) 2598 6618
Telefax: (852) 2598 6881
Email: info@vafordgroup.com
www.vafordgroup.com
www.alucobond.hk

INDONESIA
PT Alucobond Far East Indonesia
Jl. Jalur Sutera Timur Kav 7A, No.6
Alam Sutera Tangerang
Banten 15143
Indonesia
Mobile: (62) 8161968643
Email: hendry.halim@3Acomposites.com
www.alucobond.co.id

KOREA
Y B International Co.
Suite 503 Handuk Bldg
649-4 Yuksam-Dong
Kangnam-Ku, Seoul, Korea
Telephone: (82) 2 567 1261/3
Telefax: (82) 2 567 1264
Email: ybaluco@chol.com
www.alucobond.co.kr

MALAYSIA
ACM Marketing Sdn Bhd
No. 27 Jalan BPU 6
Bandar Puchong Utama,
47100 Puchong,
Selangor Darul Ehsan, Malaysia
Telephone: (60) 3 5882 3661
Telefax: (60) 3 5882 3662
Email: jasonlim@acmm.com.my
www.alucobond.com.my

MYANMAR
ALUCOBOND (FAR EAST) PTE LTD
6 Shenton Way
#40-05, OUE Downtown 1
Singapore 068809
Telephone: (65) 6303 9750
Telefax: (65) 6303 9751
Email: sales@alucobond.com.sg
www.alucobond.com.sg

NEW ZEALAND
Kaneba Limited
Unit B5-16 Saturn
Rosedale,
Auckland 0632
New Zealand
Telephone: (64) 9 926 2297
Telefax: (64) 9 926 1444
Email: jan@kaneba.co.nz
www.kaneba.co.nz
www.alucobond.co.nz

PAKISTAN
Pakistan Safety Glass Works Pvt Ltd
Plot 58, Sector 28
Korangi Industrial Area
Karachi 75180, Pakistan
Telephone: (92) 21 504 2275
Telefax: (92) 21 504 2276/506 5773
Email: info@pakistansafetyglass.com
www.alucobond.pk

PHILIPPINES
Multiple Option Inc.
#31 Annapolis St. 1508 Atlanta Center
Greenhills, San Juan
Philippines
Telephone: (63) 2 721 6171
Telefax: (63) 2 584 5687
E-mail: alt@pltdsl.net
www.alucobond.ph

SINGAPORE
ALUCOBOND (FAR EAST) PTE LTD
6 Shenton Way
#40-05, OUE Downtown 1
Singapore 068809
Telephone: (65) 6303 9750
Telefax: (65) 6303 9751
Email: sales@alucobond.com.sg
www.alucobond.com.sg

SRI LANKA
JC Enterprises
637/2 Sirimavo Bandaranayake
Mawatha, Colombo 14
Sri Lanka
Telephone: (94) 11 238 5404/07
Telefax: (94) 11 238 5403
E-mail: jeykumar@sitnet.lk

THAILAND
Gecons (Thailand) Co., Ltd
589/32-33, 8th Floor,
Central City Tower 1
Bangna-Trad Rd., Bangna
Bangkok 10260
Thailand
Telephone: (66) 2745 7181
Telefax: (66) 2745 7188
E-mail: thanapong@geconthailand.com
www.alucobond.co.th

VIETNAM
Viethomeland Co., Ltd
14-16 Binh Gia Str,
Tan Binh Dist.,
Ho Chi Minh City
Vietnam
Telephone: (84) 90 880 3333
Telefax: (84) 8 3811 8978
E-mail: trongtuan@viethomeland.com
www.alucobond.co.th

FAR EAST SUPPORT CENTRE:
ALUCOBOND (FAR EAST) PTE LTD
6 Shenton Way
#40-05, OUE Downtown 1
Singapore 068809
Telephone: (65) 6303 9750
Telefax: (65) 6303 9751
Email: sales@alucobond.com.sg
www.alucobond.com.sg

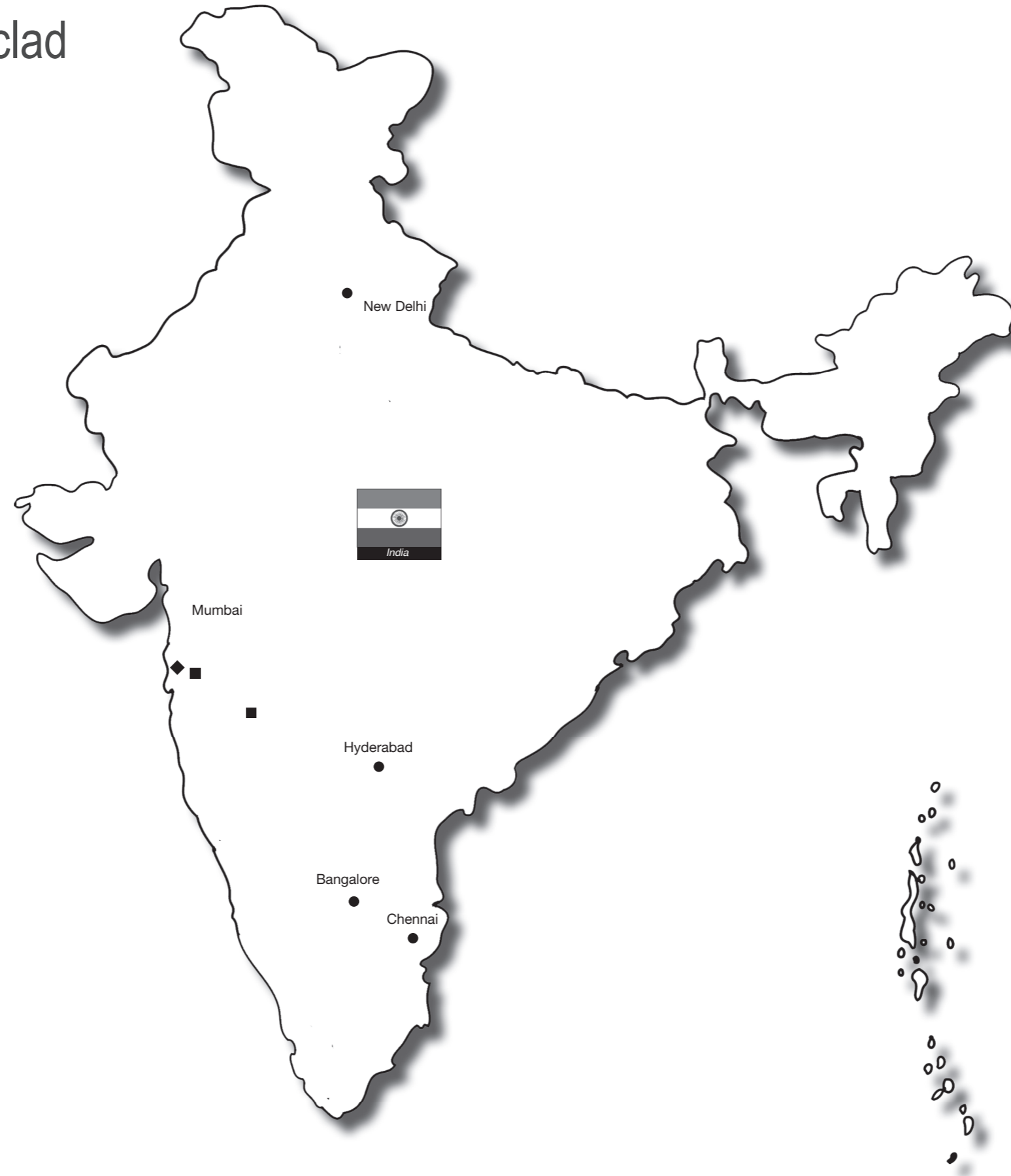
MANUFACTURER:
3A COMPOSITES GmbH
Alusingen-Platz 1
78224 Singen/Germany
Telephone: (49) 7731 802 802
Telefax: (49) 7731 802 427
Email: info.eu@alucobond.com
www.alucobond.com

MANUFACTURER
ALUCOBOND COMPOSITES (JIANGSU) LTD.
10 South Hehuan Road
Zhonglou, Changzhou 213023 China
Telephone: 0519 8166 5766
Telefax: 0519 8166 5999
Email: alucobond.china@3acomposites.com
www.alucobond.com.cn

MANUFACTURER
3A COMPOSITES INDIA PVT. LTD.
Unit 852, 5th Floor,
Solitaire Corporate Park,
Andheri-Kurla Road,
Andheri (East),
Mumbai - 400 093, India.
Telephone: (91) 22 4256 4500
Telefax: (91) 22 4256 4545
E-mail Id: alucobond.
india@3acomposites.com
Website: www.alucobond.in

- ◆ - Alucobond Far East Support Centre
- - Alucobond Manufacturers
- - Alucobond Distributors/Agents

ALUCOBOND® A2 / plus / PE ALUCORE® / ALUCORE® clad



3A Composites India Pvt. Ltd.

Unit 852, 5th Floor,
Solitaire Corporate Park,
Andheri-Kurla Road,
Andheri (East),
Mumbai - 400 093, India.
Tel: (91) 22 4256 4500
Fax: (91) 22 4256 4545
E-mail Id: alucobond.india@3acomposites.com
Website: www.alucobond.in

- ◆ - Alucobond Head Office
- - Alucobond Plant
- - Alucobond Sales Offices

ALUCOBOND®



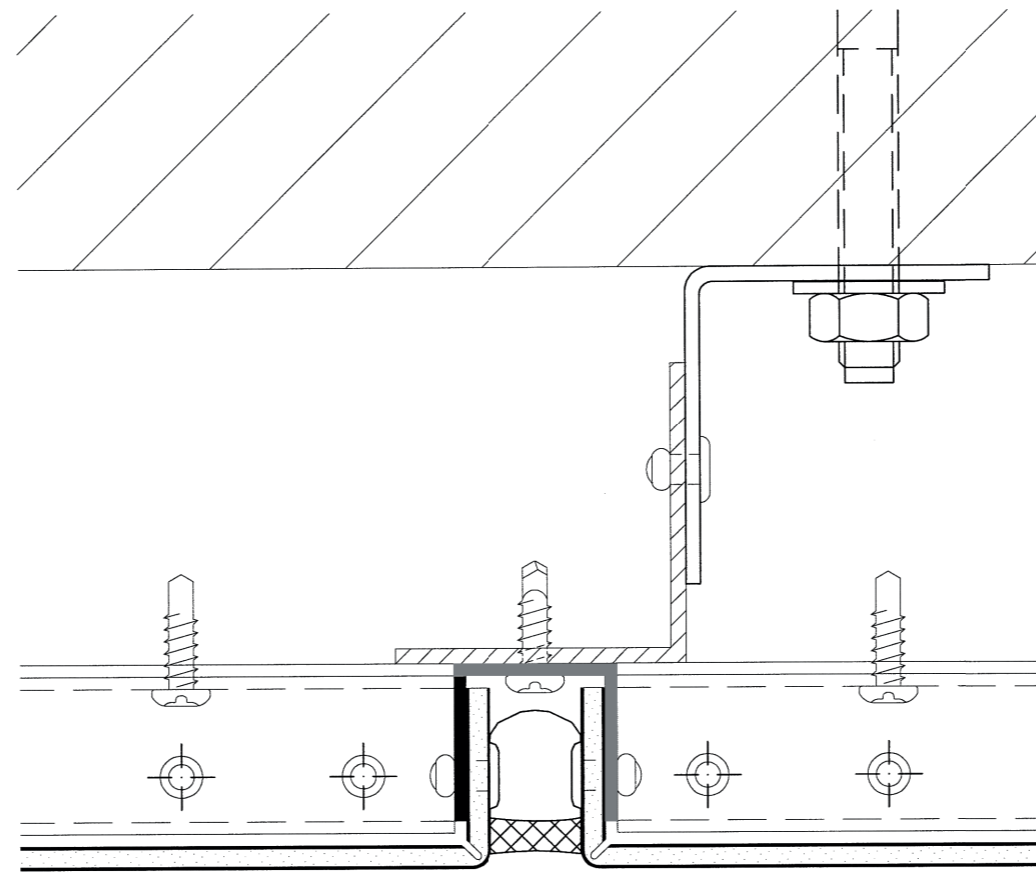
Central Chiangmai | Chiangmai | Thailand

January 2016

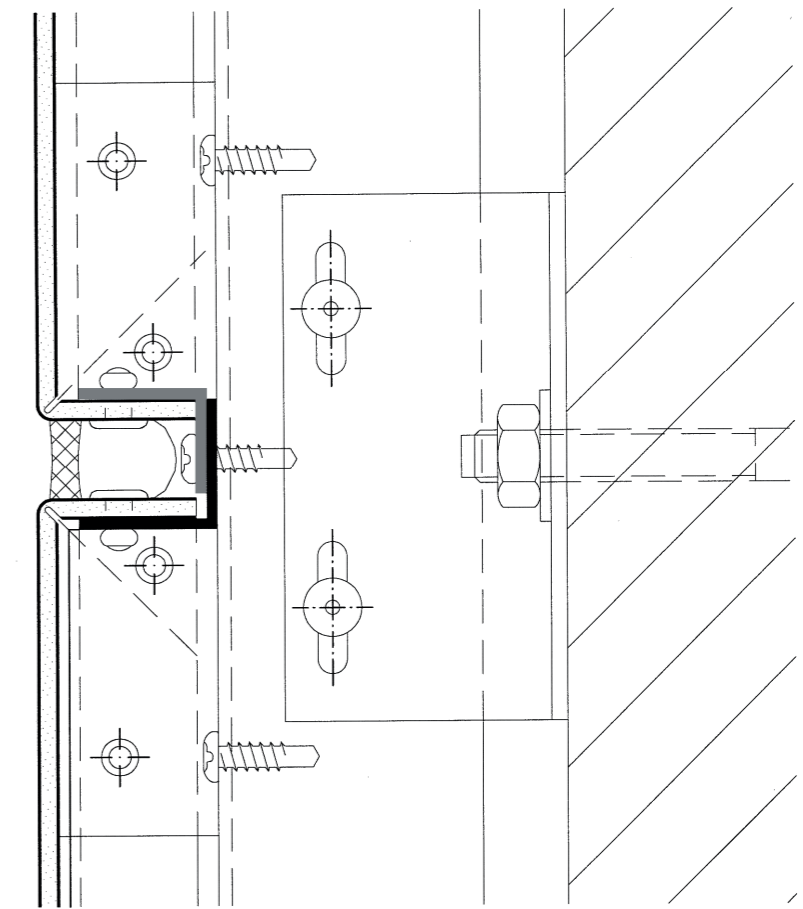
fri	sat	sun	mon	tue	wed	thu	fri	sat	sun	mon	tue	wed	thu	fri	sat	sun	mon	tue	wed	thu	fri	sat	sun	mon	tue	wed	thu	fri	sat	sun
1	2	3	4	5	6	7	8	9	10	11	12	13	14	15	16	17	18	19	20	21	22	23	24	25	26	27	28	29	30	31
						wk 1						wk 2									wk 3							wk 4		

ALUCOBOND®

Design | Construction ALUCOBOND® Tray Panels System - Sealed Joint



Horizontal Section



Vertical Section

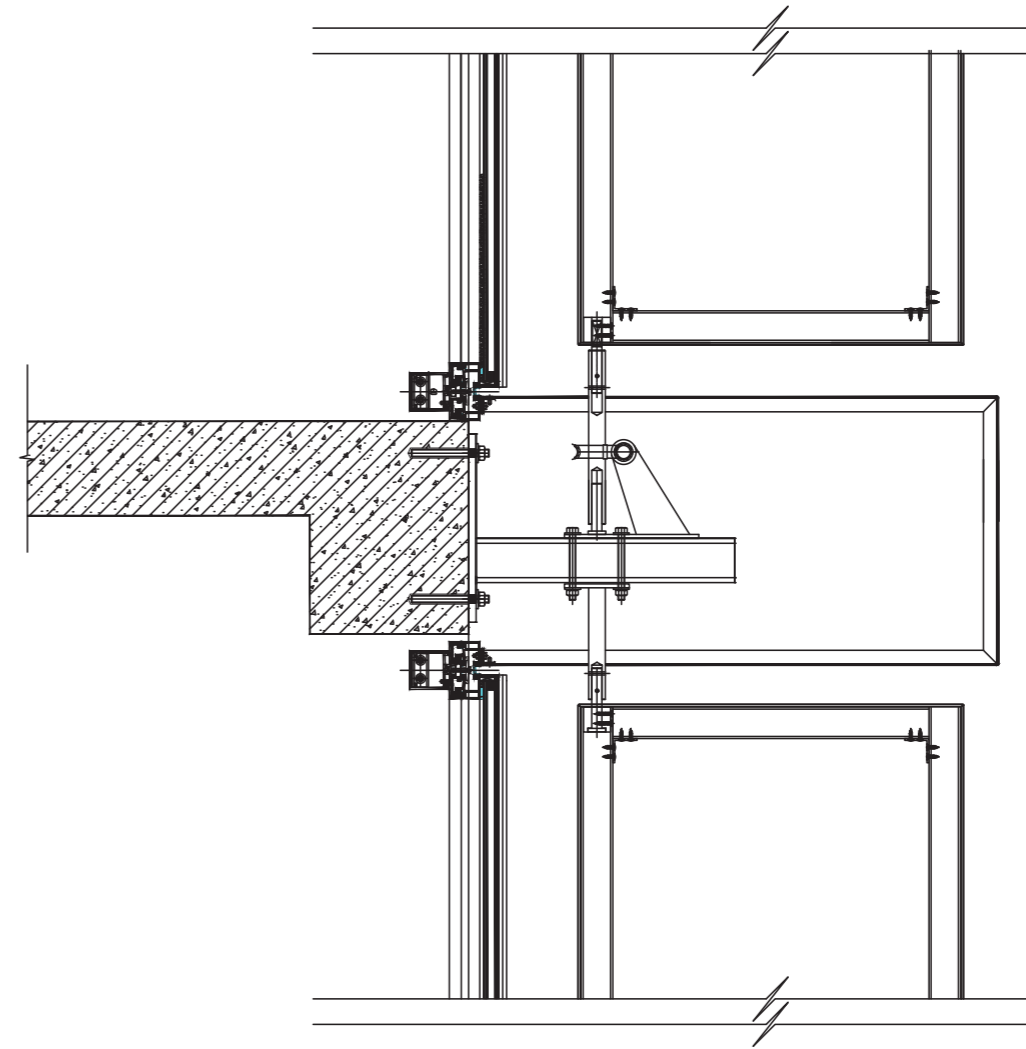
All drawings are for illustration only. For design details suitable for your location contact our technical service or an ALUCOBOND® representative nearest to you.

Shopping Mall
Chiangmai | Thailand

Building Owner : Central Pattana Public Company Limited
Architect : M.A.A.R Company Limited
Completed : 2013
Fabricator | Installer : P.K. Aluminium
Product : ALUCOBOND® plus 4mm
Surface Finish : PVDF/FEVE coil-coated
Standard Colours : Spectra Cupral(913), Spectra Sakura (917), Brilliant metallic(602)
Photos : Thanapong Charusadhirakul

ALUCOBOND®

Design | Construction ALUCOBOND® Box Tray System - Adjustable vertical sun screen



Section Details

All drawings are for illustration only. For design details suitable for your location contact our technical service or an ALUCOBOND® representative nearest to you.

Hospital
Paris | France

Building Owner : Societe d' Hospital
Architect : AIA Architects Ingenieurs Associés
Completed : 2011
Fabricator | Installer : Castel Et Fromage / Tim Composites
Product : ALUCOBOND® plus 4mm
Surface Finish : PVDF/FEVE coil-coated
Standard Colour : White 16 (101)
Photos : G. Satre / AIA Associés Ingenieurs Associés, Paris





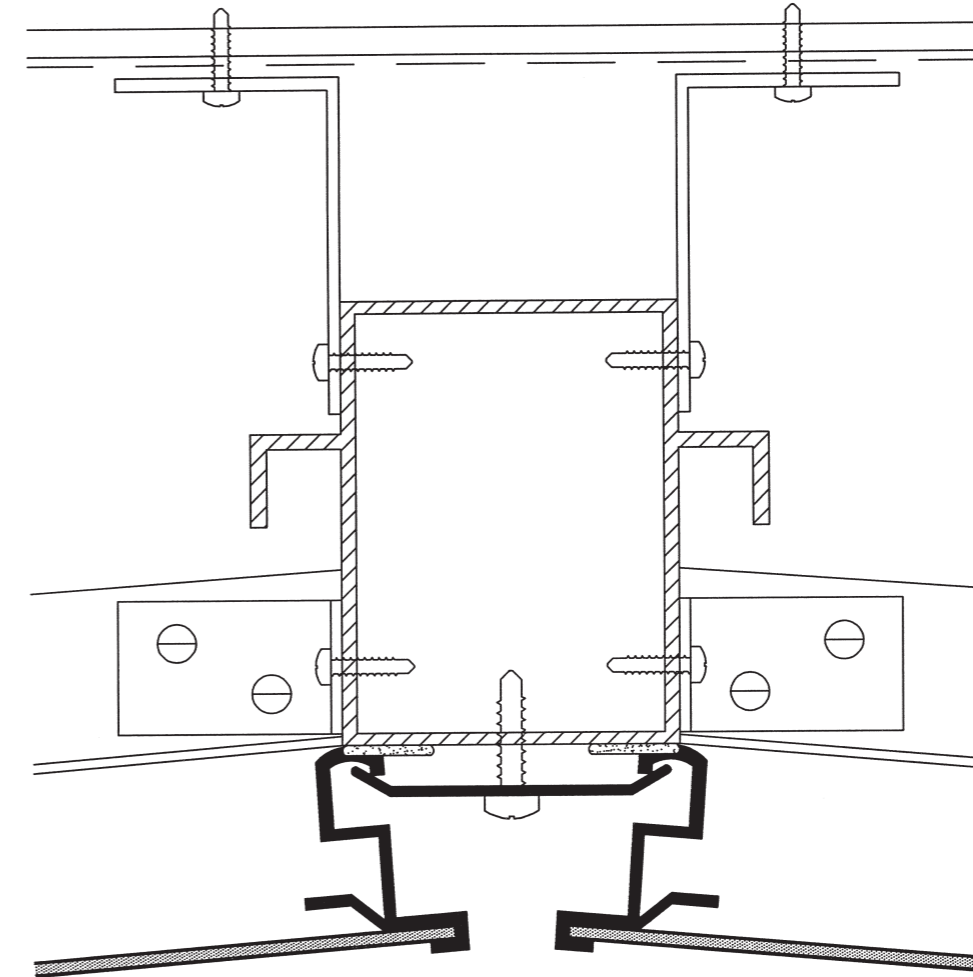
Glen Innes Music and Art Centre for Youth | Auckland | New Zealand

March 2016

tue	wed	thu	fri	sat	sun	mon	tue	wed	thu	fri	sat	sun	mon	tue	wed	thu	fri	sat	sun	mon	tue	wed	thu							
1	2	3	4	5	6	7	8	9	10	11	12	13	14	15	16	17	18	19	20	21	22	23	24	25	26	27	28	29	30	31
wk 9						wk 10						wk 11						wk 12						wk 13						

ALUCOBOND®

Design | Construction ALUCOBOND® Flat Panels System - Special Edge Grip



Section Details

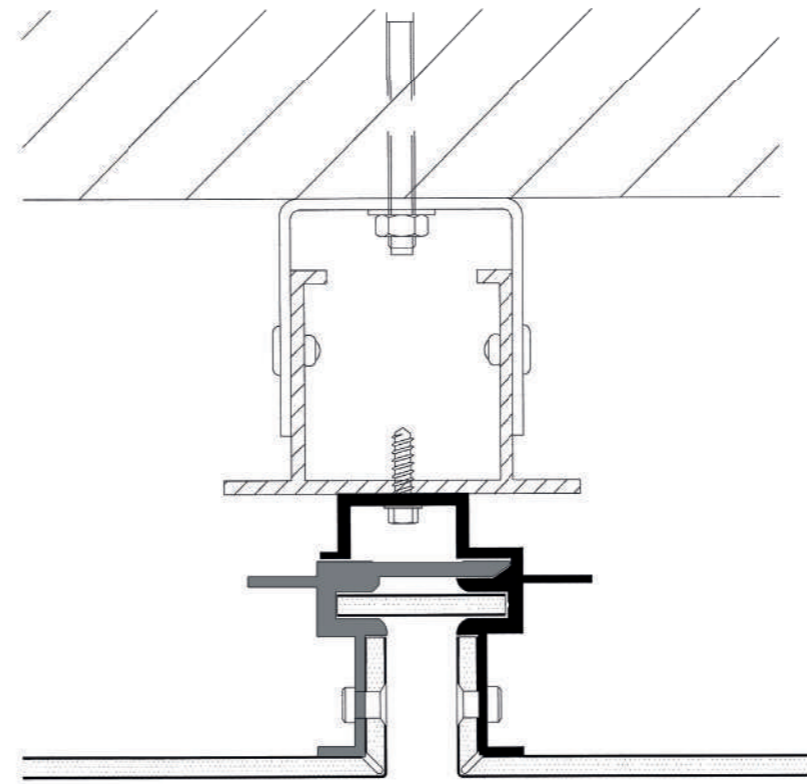
All drawings are for illustration only. For design details suitable for your location contact our technical service or an ALUCOBOND® representative nearest to you.

Music & Art Centre
Auckland | New Zealand

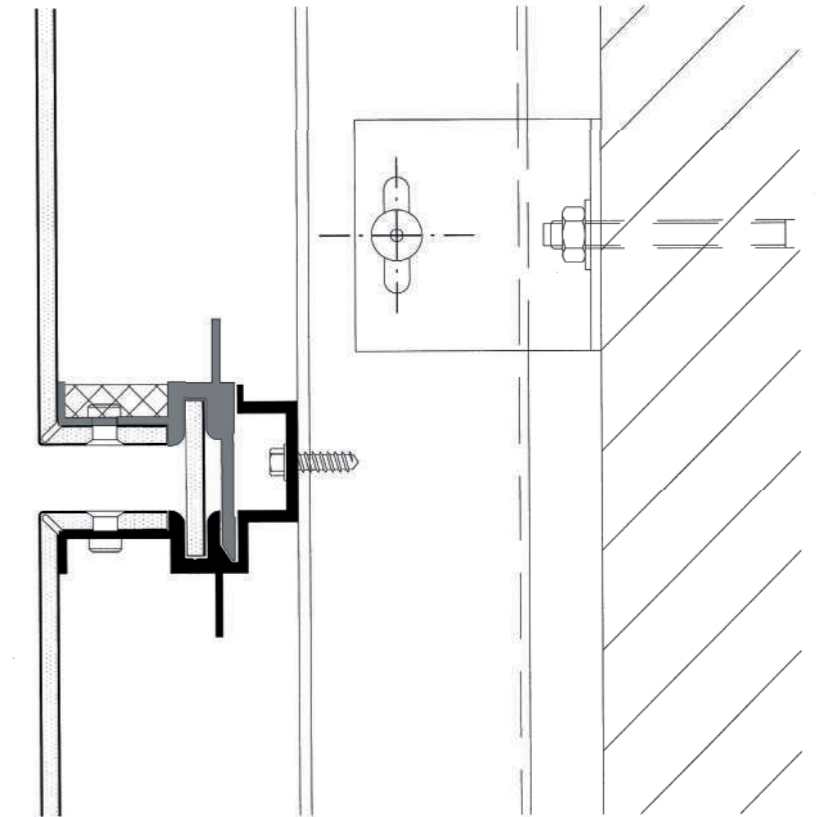
Building Owner : Auckland Council
Architect : Archimedia
Completed : 2015
Fabricator | Installer : Symonite Panels Ltd
Product : ALUCOBOND® plus 4mm
Surface Finish : HDP
Custom Colour : Ligno Afro Mahagoni
Photos : Jan Gouws

ALUCOBOND®

Design | Construction ALUCOBOND® Tray Panels System - Rainscreen



Horizontal Section



Vertical Section

All drawings are for illustration only. For design details suitable for your location contact our technical service or an ALUCOBOND® representative nearest to you.

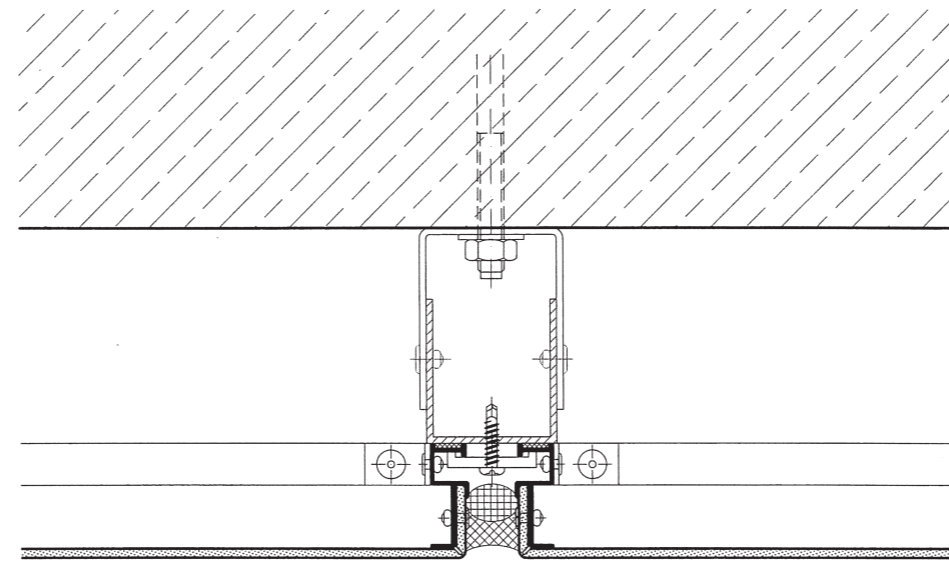
Office
Ohio | U.S.A

Building Owner : The Connor Group
Architect : Moody Nolan
Completed : 2014
Fabricator | Installer : Royalton Architectural Fabrication, Inc.
Product : ALUCOBOND® plus 4mm
Surface Finish : PVDF coil-coated
Standard Colour : naturAL Brushed
Photos : Brad Feinknopf Photography

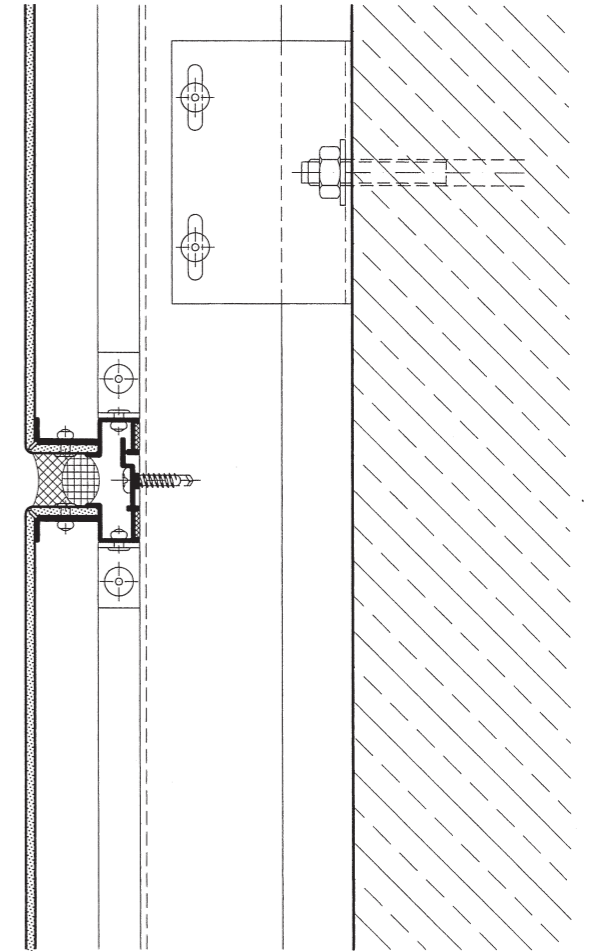


ALUCOBOND®

Design | Construction ALUCOBOND® Tray Panels System - Sealant



Horizontal Section



Vertical Section

All drawings are for illustration only. For design details suitable for your location contact our technical service or an ALUCOBOND® representative nearest to you.

Hospital
Jakarta | Indonesia

Building Owner : Dinas Kesehatan Propinsi DKI Jakarta
Architect : PT.Indosakti pancadipo paragraha
Completed : 2015
Fabricator | Installer : PT.Wijaya Karya
Product : ALUCOBOND® PE 4mm
Surface Finish : PVDF/FEVE coil-coated
Standard Colour : Lime (8313)
Photos : 2K Artwork

ALUCOBOND®



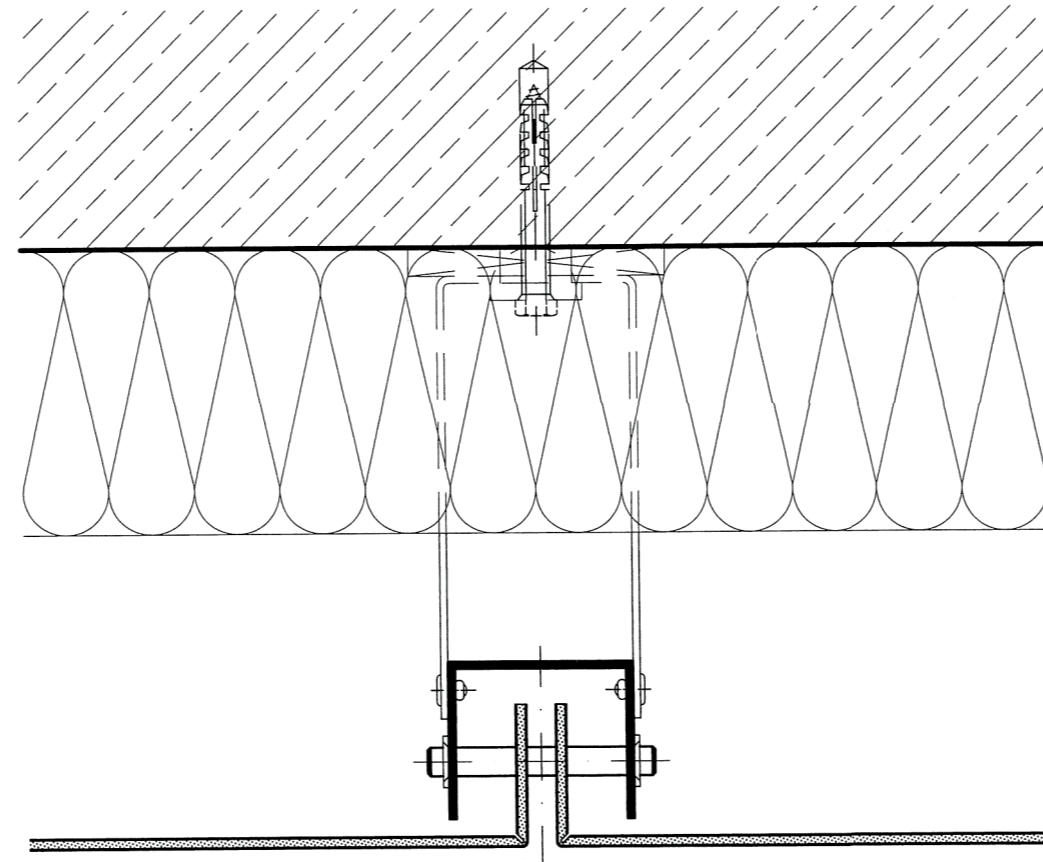
Al Olaya Commercial & Office towers | Riyadh | Kingdom of Saudi Arabia

June 2016

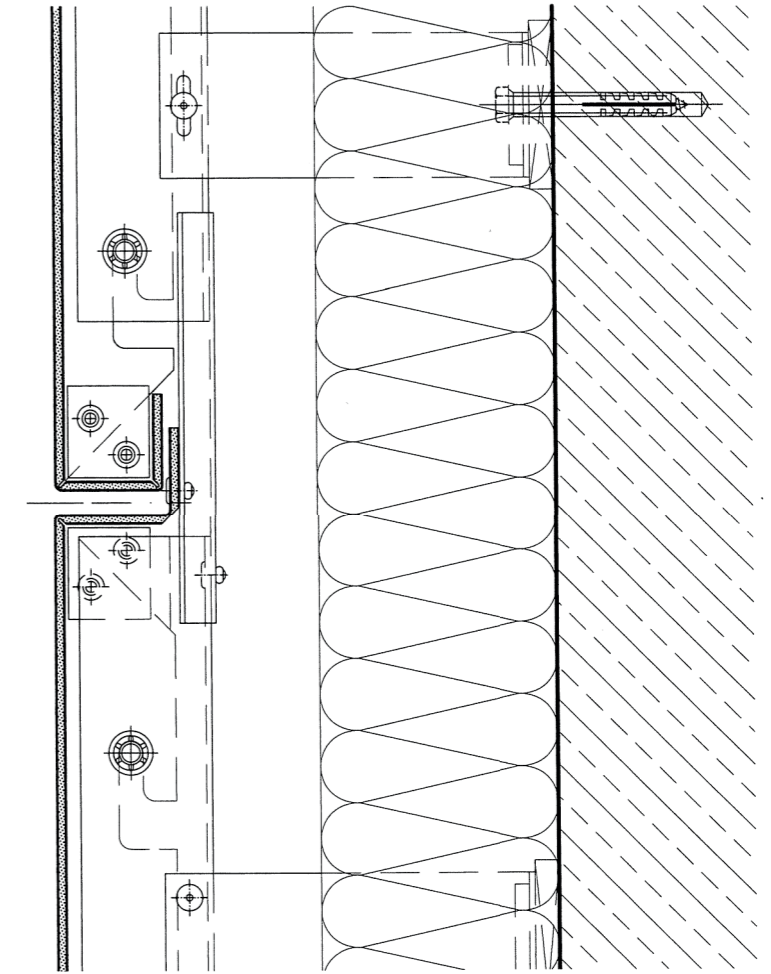
wed	thu	fri	sat	sun	mon	tue	wed	thu	fri	sat	sun	mon	tue	wed	thu	fri	sat	sun	mon	tue	wed	thu	fri	sat	sun	mon	tue	wed	thu
1	2	3	4	5	6	7	8	9	10	11	12	13	14	15	16	17	18	19	20	21	22	23	24	25	26	27	28	29	30
wk 22				wk 23				wk 24				wk 25				wk 26													

ALUCOBOND®

Design | Construction ALUCOBOND® Tray Panels System - Hook on



Horizontal Section



Vertical Section

All drawings are for illustration only. For design details suitable for your location contact our technical service or an ALUCOBOND® representative nearest to you.

Office and mixed use towers
Riyadh | Kingdom of Saudi Arabia

Building Owner : General Organization for Social Insurance
Architect : Zuhair Fayez Partnership Consultants
Completed : 2015
Fabricator | Installer : Alico
Product : ALUCOBOND® plus 4mm
Surface Finish : PVDF coil-coated
Standard Colour : Sunrise silver metallic (600)
Photos : Markus Setz

ALUCOBOND®



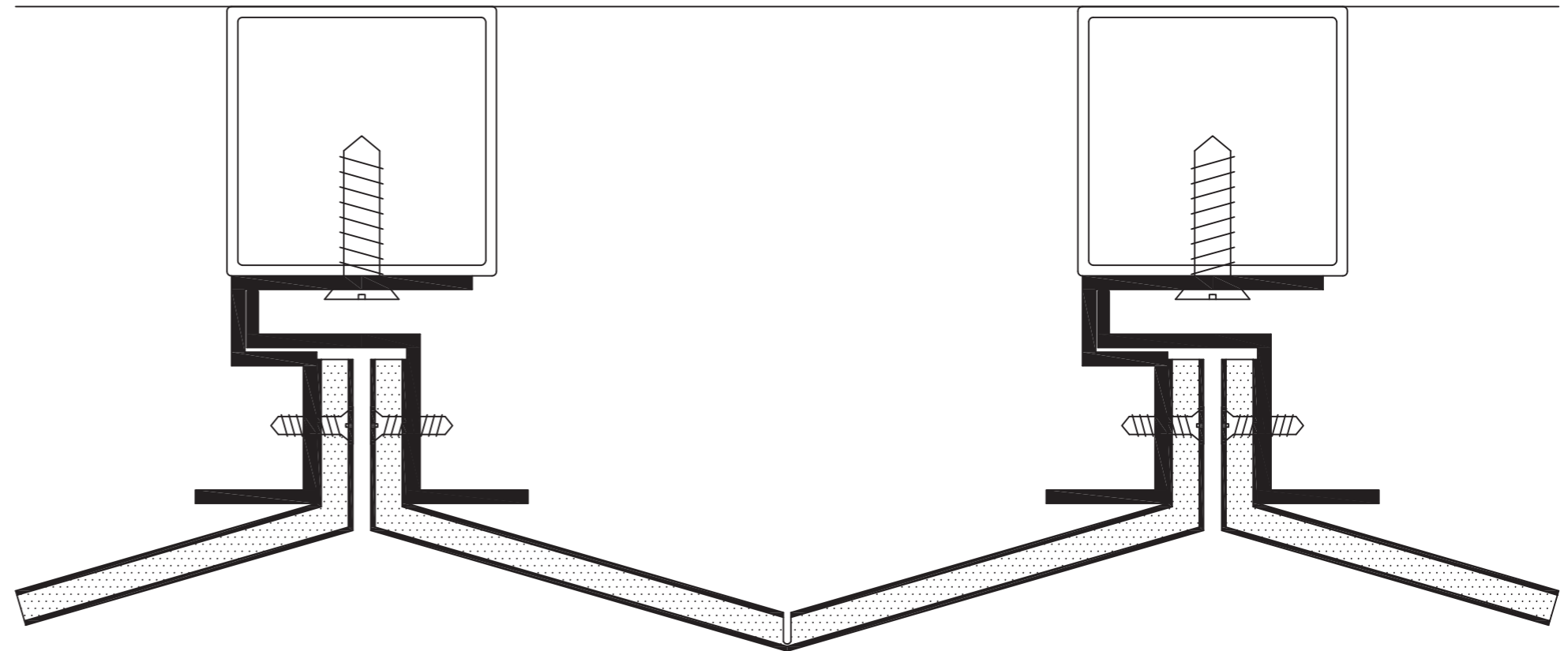
SOLO Warehouse | Samutprakan | Thailand

July 2016

fri	sat	sun	mon	tue	wed	thu	fri	sat	sun	mon	tue	wed	thu	fri	sat	sun	mon	tue	wed	thu	fri	sat	sun	mon	tue	wed	thu	fri	sat	sun
1	2	3	4	5	6	7	8	9	10	11	12	13	14	15	16	17	18	19	20	21	22	23	24	25	26	27	28	29	30	31
wk 27							wk 28							wk 29							wk 30									

ALUCOBOND®

Design | Construction ALUCOBOND® Folded Panels System - Open Joint



Section Details

All drawings are for illustration only. For design details suitable for your location contact our technical service or an ALUCOBOND® representative nearest to you.

Warehouse
Samutprakan | Thailand

Building Owner : Herton Co., Ltd
Architect : A U N Design Studio Co., Ltd.
Completed : 2014
Fabricator | Installer : Professional Aluclad Co., Ltd.
Product : ALUCOBOND® plus 4mm
Surface Finish : PVDF/FEVE coil-coated
Standard Colour : Spectra LAVA RED (922)
Photos : Wison Tungthunya



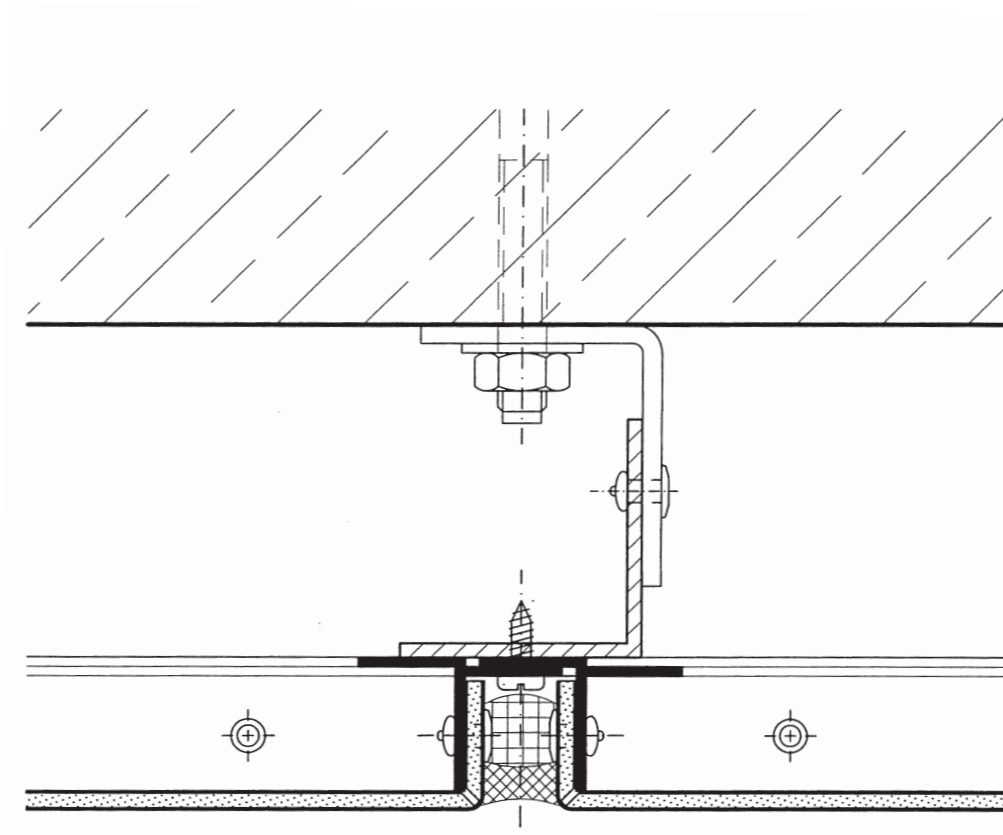
ONGC | Mumbai | India

August 2016

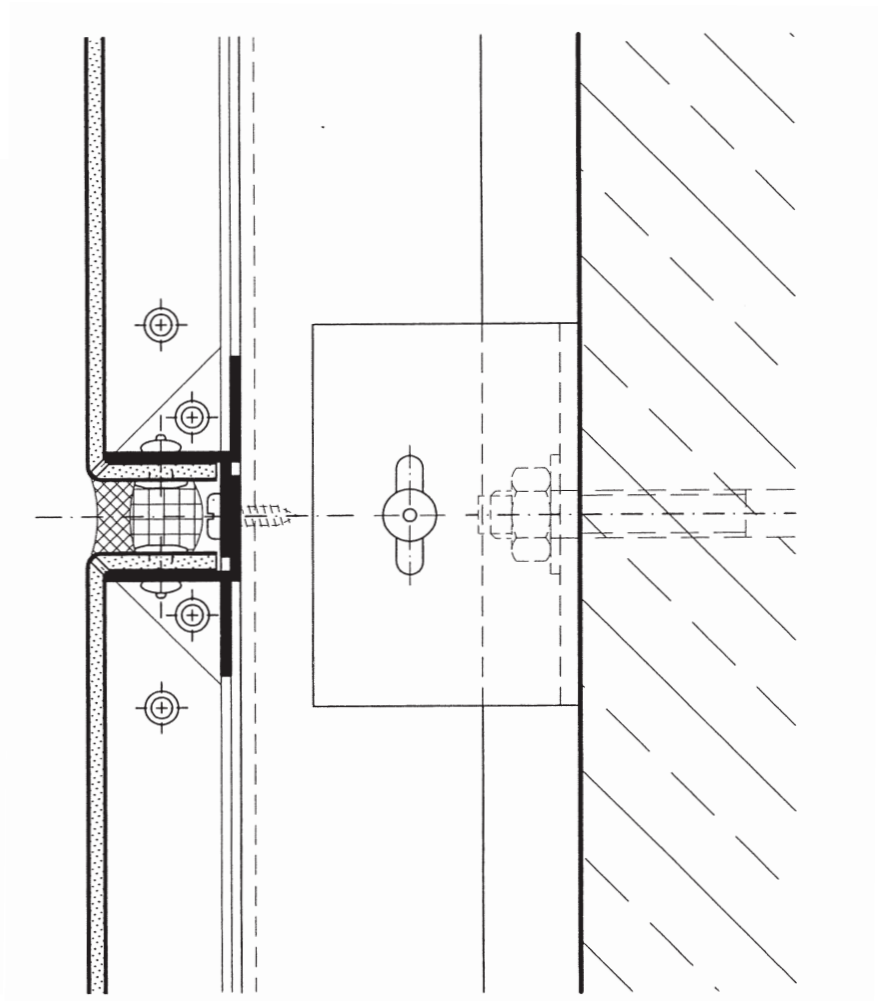
mon	tue	wed	thu	fri	sat	sun	mon	tue	wed	thu	fri	sat	sun	mon	tue	wed	thu	fri	sat	sun	mon	tue	wed	thu	fri	sat	sun	mon	tues	wed
1	2	3	4	5	6	7	8	9	10	11	12	13	14	15	16	17	18	19	20	21	22	23	24	25	26	27	28	29	30	31
wk 31						wk 32						wk 33						wk 34												

ALUCOBOND®

Design | Construction ALUCOBOND® Tray Panels System - Sealed Joint



Horizontal Section



Vertical Section

All drawings are for illustration only. For design details suitable for your location contact our technical service or an ALUCOBOND® representative nearest to you.

Office
Mumbai | India

Building Owner : Oil and Natural Gas Corporation
Architect : Hafeez Contractor
Completed : 2015
Fabricator | Installer : Truewall Specialities Pvt Ltd
Product : ALUCOBOND® plus 4mm
Surface Finish : PVDF coil-coated
Standard Colour : Pure white10 (100)

ALUCOBOND®



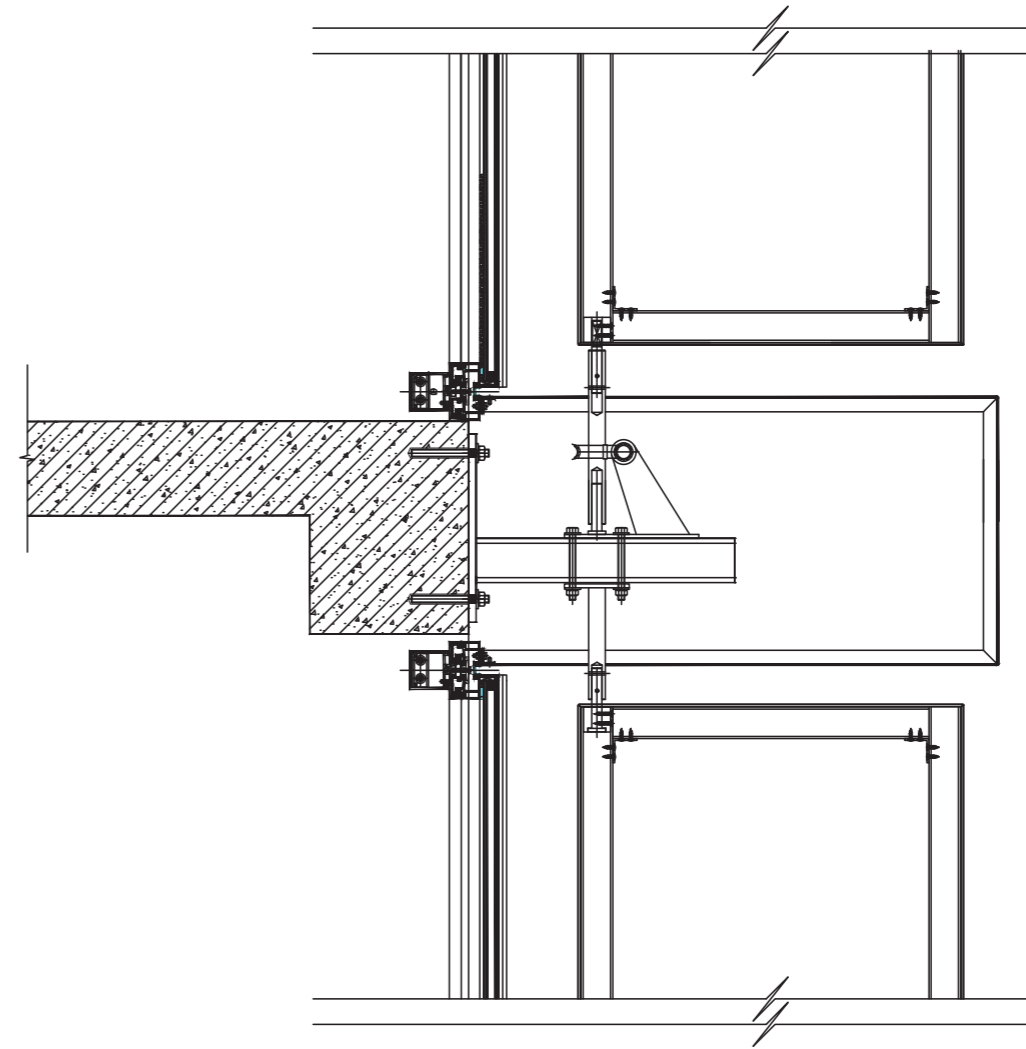
Student Residences | Paris | France

September 2016

thu	fri	sat	sun	mon	tue	wed	thu	fri	sat	sun	mon	tue	wed	thu	fri	sat	sun	mon	tue	wed	thu	fri	sat	sun	mon	tue	wed	thu	fri
1	2	3	4	5	6	7	8	9	10	11	12	13	14	15	16	17	18	19	20	21	22	23	24	25	26	27	28	29	30
wk 35				wk 36				wk 37				wk 38				wk 39													

ALUCOBOND®

Design | Construction ALUCOBOND® Box Tray System - Adjustable vertical sun screen



Section Details

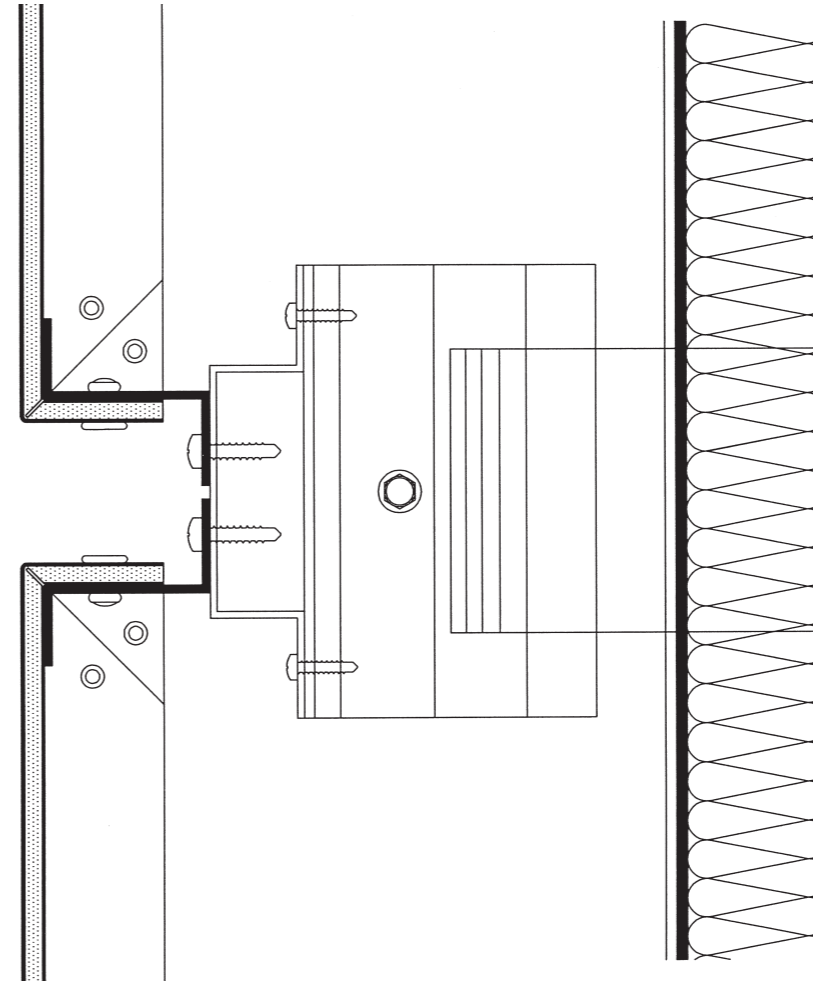
All drawings are for illustration only. For design details suitable for your location contact our technical service or an ALUCOBOND® representative nearest to you.

Residential
Paris | France

Building Owner : Dumez
Architect : Audren et Schlumberger
Completed : 2013
Fabricator | Installer : Delta Sud
Product : ALUCOBOND® A2 / PE
Surface Finish : PVDF/FEVE coil-coated
Standard Colours : Gold metallic (601), Anodized look (C31)
Photos : Manuel Panaget

ALUCOBOND®

Design | Construction ALUCOBOND® Tray Panels System - Open Joint



Section Details

All drawings are for illustration only. For design details suitable for your location contact our technical service or an ALUCOBOND® representative nearest to you.

Office
Na Ju | Korea

Building Owner : KEPCO Company
Architect : Baum Architects
Completed : 2015
Fabricator | Installer : EaGon Window
Product : ALUCOBOND® plus 4mm
Surface Finish : PVDF/FEVE coil-coated
Standard Colour : naturAL Line (401)
Photos : Y.B International



ALUCOBOND®



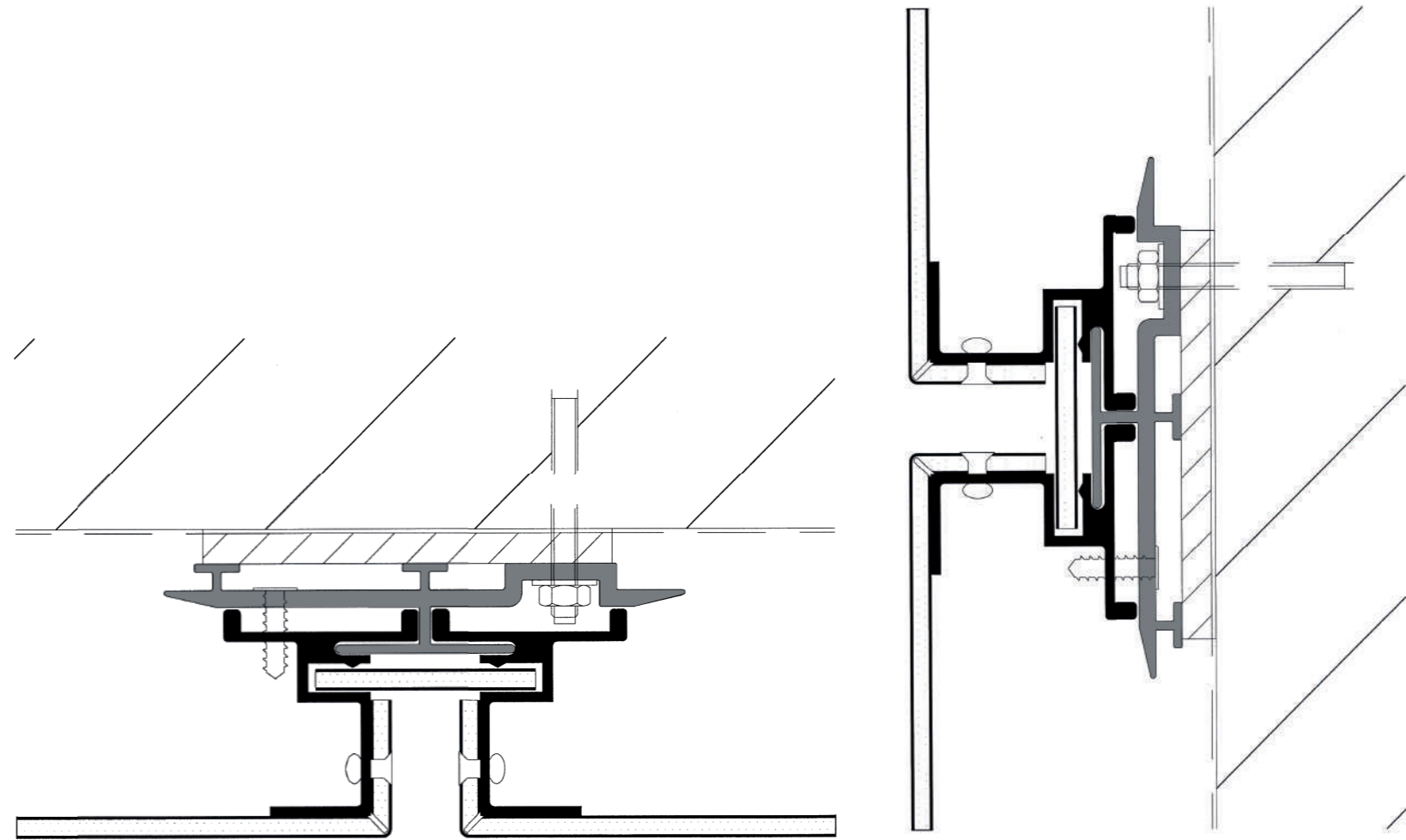
Toro Headquarters | Minnesota | U.S.A

November 2016

tue	wed	thu	fri	sat	sun	mon	tue	wed	thu	fri	sat	sun	mon	tue	wed	thu	fri	sat	sun	mon	tue	wed	thu	fri	sat	sun	mon	tue	wed
1	2	3	4	5	6	7	8	9	10	11	12	13	14	15	16	17	18	19	20	21	22	23	24	25	26	27	28	29	30
wk 44						wk 45						wk 46						wk 47											

ALUCOBOND®

Design | Construction ALUCOBOND® Tray Panels System - Rainscreen



Horizontal Section

Vertical Section

All drawings are for illustration only. For design details suitable for your location contact our technical service or an ALUCOBOND® representative nearest to you.

Office
Minnesota | U.S.A

Building Owner : The Toro Company
Architect : Leo A Daly
Completed : 2014
Fabricator | Installer : Metal Design Systems, Inc.
Product : ALUCOBOND® plus 4mm
Surface Finish : PVDF coil-coated
Standard Colours : naturAL Rusted Metal, naturAL Brushed Graphite
Photos : Mike Herbst courtesy of EBP, LLC and Bill Baxley, AIA



ALUCORE[®] clad



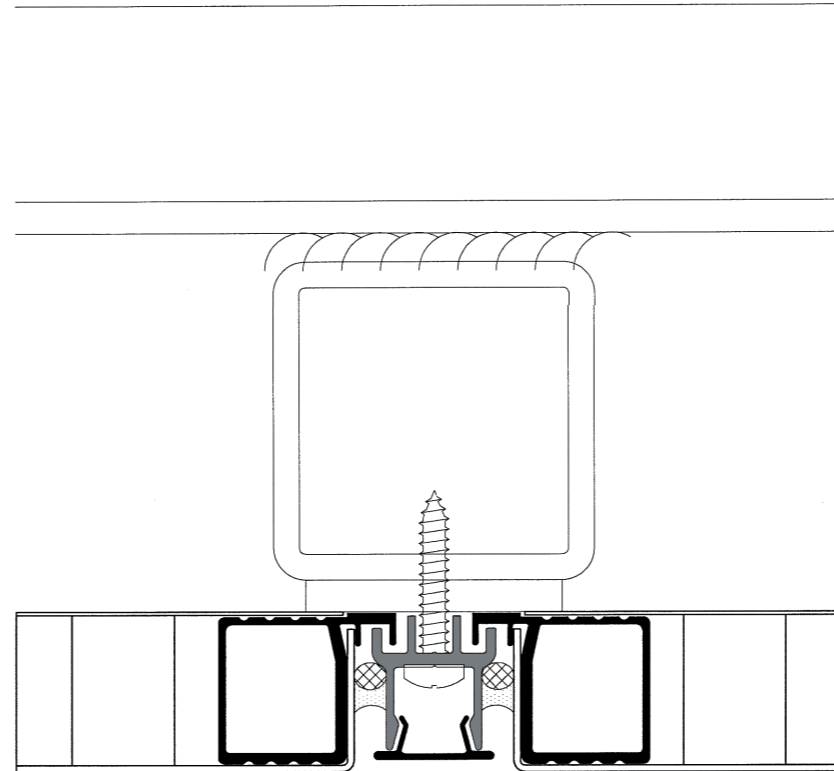
Tianjin Digital Broadcasting Tower | Tianjin | China

December 2016

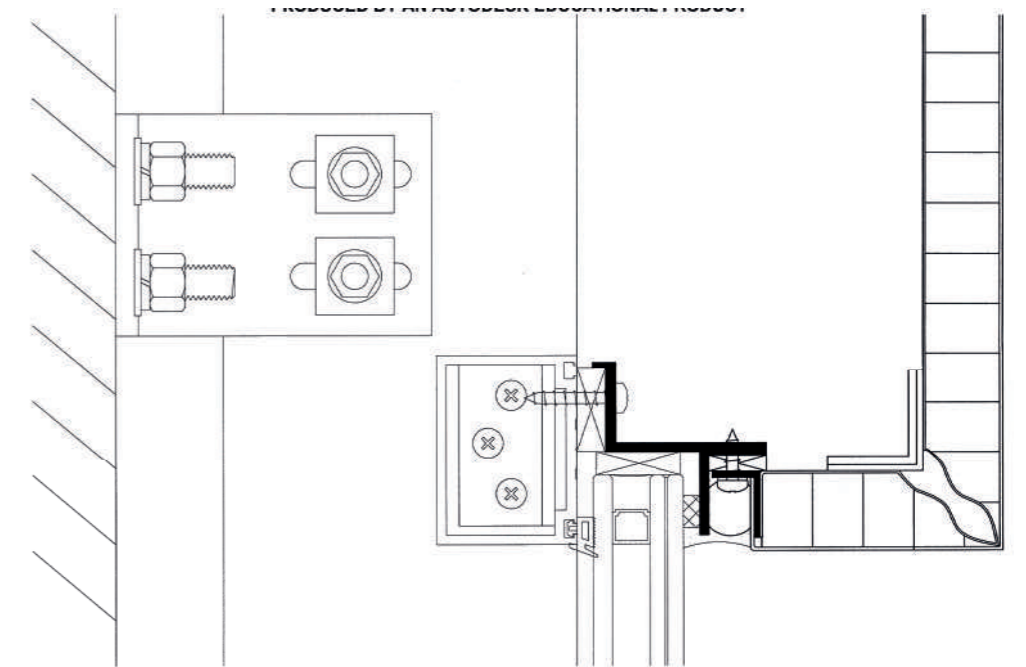
thu	fri	sat	sun	mon	tue	wed	thu	fri	sat	sun	mon	tue	wed	thu	fri	sat	sun	mon	tue	wed	thu	fri	sat	sun	mon	tue	wed	thu	fri	sat
1	2	3	4	5	6	7	8	9	10	11	12	13	14	15	16	17	18	19	20	21	22	23	24	25	26	27	28	29	30	31
wk 48				wk 49					wk 50					wk 51					wk 52											

ALUCORE[®] clad

Design | Construction ALUCORE[®] clad Tray Panels System - Metal Cover



Horizontal Section



Vertical Section

All drawings are for illustration only. For design details suitable for your location contact our technical service or an ALUCOBOND[®] representative nearest to you.

Office
Tianjin | China

Building Owner : Tianjin Broadcasting Station
Architect : TADI
Completed : 2015
Fabricator | Installer : Tianjin Hua Hui Shun Decoration Engineering Co. Ltd
Product : ALUCORE[®] clad 25mm
Surface Finish : PVDF coil-coated
Custom Colour : Custom white (9134)
Photos : Ming Vision