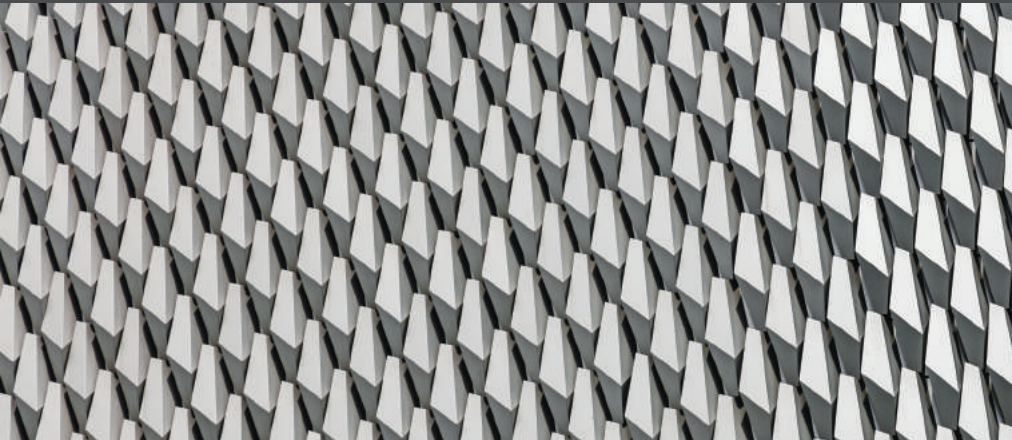


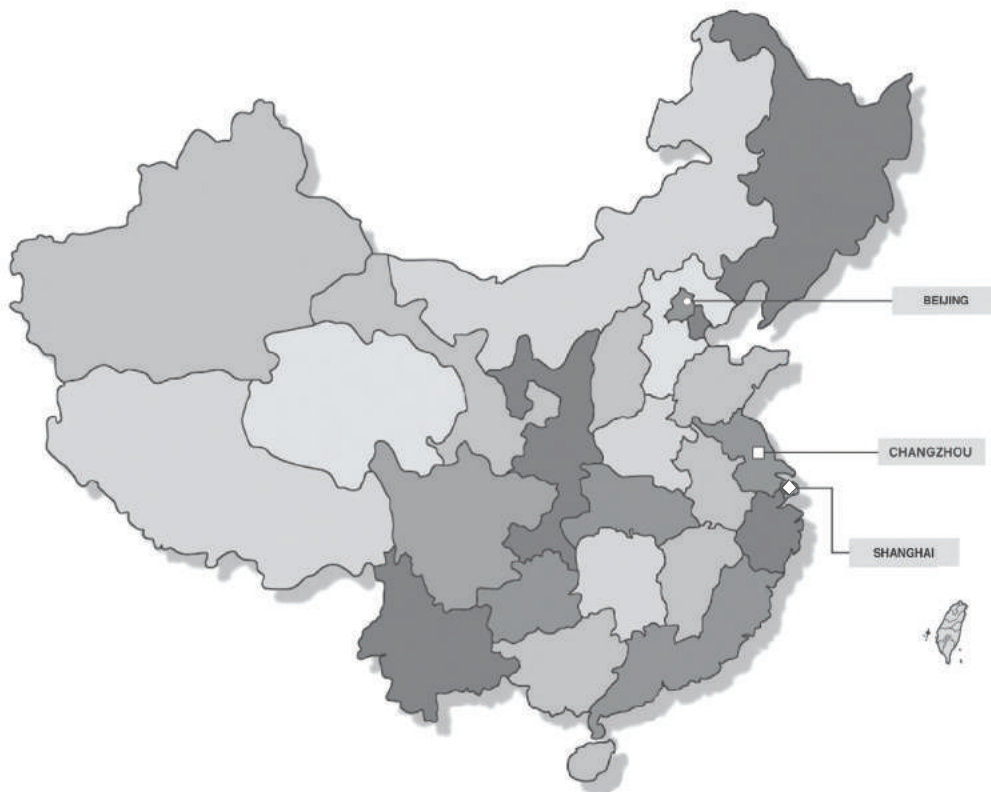
ALUCOBOND®
ALUCORE®

2018



ALUCOBOND® A2 / PLUS

ALUCORE®



- ◆ - Alucobond Head Office
- - Alucobond Plant
- - Alucobond Sales Offices

3A COMPOSITES (CHINA) LTD.

1902-1903 Hongkong Prosperity Tower
763 Mengzi Road,
Huangpu, Shanghai, China
Telephone: 021 6315 8550
Fax: 021 6315 8560
Email: alucobond.china@3acomposites.com
www.alucobond.com.cn

思瑞实复合材料(中国)有限公司

上海市
蒙自路763号
丰盛创建大厦
1902-1903室
电话: 021 6315 8550
传真: 021 6315 8560
电邮: alucobond.china@3acomposites.com
www.alucobond.com.cn

ALUCOBOND COMPOSITES (JIANGSU) LTD.

10 South Hehuan Road
Zhonglou, Changzhou 213023, China
Telephone: 0519 8166 5822
Fax: 0519 8166 5799

阿鲁克邦复合材料(中国)有限公司

中国江苏常州钟楼区
合欢南路10号213023
电话: 0519 8166 5822
传真: 0519 8166 5799

SALES OFFICES IN CHINA:

思瑞实复合材料(中国)有限公司 北京办事处
北京市朝阳区何各庄87号院
邮编: 100103
电话: 010 6552 8755
传真: 010 6552 8755

Beijing, 3A Composites (China) Ltd.

No.87 Hegezhuang Chaoyang District Beijing
100103 Beijing.
Telephone: 010 6552 6755
Fax: 010 6552 8755

For more information, please contact us.
如有需求, 敬请联络

ALUCOBOND® A2 / PLUS

ALUCORE®



MIDDLE EAST SUPPORT CENTRE:
3A COMPOSITES MIDDLE EAST (BRANCH)
 Almas Tower,LT
 PO Box 340 505
 Dubai, U.A.E
 Mobile: (971) 50 5574676
 Email: markus.seitz@3acomposites.com
 www.alucobond.com

FAR EAST SUPPORT CENTRE:
ALUCOBOND (FAR EAST) PTE LTD
 6 Shenton Way 140-05
 QUE Downtown 1
 Singapore 068809
 Tel: (65) 6303 9750
 Fax: (65) 6303 9751
 Email: sales@alucobond.com.sg
 www.alucobond.com.sg

MANUFACTURER:
3A COMPOSITES GMBH
 Aluwingenplatz 1
 75224 Singen/Germany
 Telephone: (49) 7731 941 2347
 Telefax: (49) 7731 941 2845
 Email: info.eu@alucobond.com
 www.alucobond.com

MANUFACTURER:
3A COMPOSITES (CHINA) LTD.
 Room 1902-1905
 Feng Sheng Chuang Jian Building
 Mengzi road No. 763
 Huangpu Shanghai
 China
 Telephone: 021 5813 5355
 Fax: 021 5813 5353
 Email: alucobond.china@3acomposites.com
 www.alucobond.com.cn

MANUFACTURER:
3A COMPOSITES INDIA PVT LTD.
 Unit 802, 8th Floor, Solitaire Corporate
 Park, Andheri (East) Mumbai-400 093
 Telephone: (91) 22 4256 4500
 Fax: (91) 22 4256 4545
 Email: alucobond.india@3acomposites.com
 www.alucobond.in

ALUCOBOND® A2 / PLUS

ALUCORE®

Tom Seitz
 Director of Strategic Accounts
 705-658-3516 (O)
 877-331-3173
 tom.seitz@3acomposites.com

Mike Herbst
 EBP, LLC
 Excelsior, MN
 952-380-0730 (O)
 mherbst@ebpnn.com

Jim Crane
 JHC Sales Corporation
 Tivoli, NY
 845-757-3300 (O)
 jim@JHCSales.com

Please contact us to find your local sales representative
www.alucobondamericas.com
 1800-626-3365
 info.usa@3acomposites.com

Jason Beaupre
 Mid-Central Sales
 Geneva, IL
 630-402-0143 (O)
 jason.beaupre@3acomposites.com

Manufacturing, Technical Service & Customer Relations

3A Composites USA, Inc
 208 W. 5th Street
 Benton KY 42025
 800-626-3365
 270-627-4200
 270-527-1552 FAX

Charlotte, NC Headquarters

Keith Spurlin
 VP of Architectural Sales
 704-456-5059 (O)
 877-331-3173
 keith.spurlin@3acomposites.com

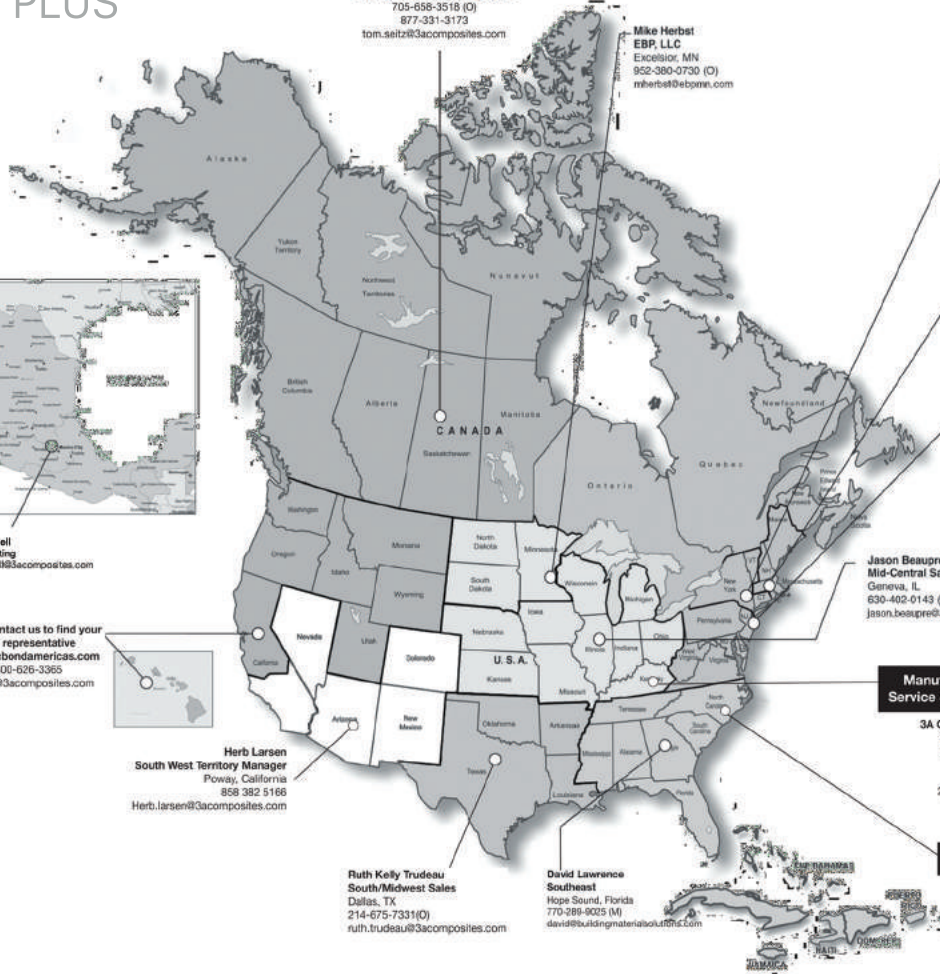
Ruth Kelly Trudeau
 South/Midwest Sales
 Dallas, TX
 214-675-7331 (O)
 ruth.trudeau@3acomposites.com

David Lawrence
 Southeast
 Hope Sound, Florida
 770-289-9025 (M)
 david@buildingmaterialsofusa.com

Herb Larsen
 South West Territory Manager
 Poway, California
 858 382 5186
 Herb.larsen@3acomposites.com

Doug Twitchell
 VP of Marketing
 doug.twitchell@3acomposites.com

Please contact us to find your local representative
www.alucobondamericas.com
 1800-626-3365
 info.usa@3acomposites.com



ALUCOBOND® A2 / PLUS

ALUCORE®



FAR EAST SUPPORT CENTRE:
ALUCOBOND (FAR EAST) PTE LTD
 6 Shenton Way
 #40-05, OUE Downtown 1
 Singapore 068809
 Telephone: (65) 6303 9750
 Telefax: (65) 6303 9751
 Email: sales@alucobond.com.sg
 www.alucobond.com.sg

MANUFACTURER:
JA COMPOSITES GMBH
 Alustingplatz 1
 78224 Singen/Germany
 Telephone: (49) 7751 941 2347
 Telefax: (49) 7751 941 2945
 Email: info.eu@alucobond.com
 www.alucobond.com

MANUFACTURER
ALUCOBOND COMPOSITES (JIANGSU) LTD.
 10 South Hehuan Road
 Zhonglou, Changzhou 213023 China
 Andrieh-Kunfa Road,
 Andrieh (East),
 Mumbai - 400 093, India.
 Telephone: (81) 22 4256 4500
 Telefax: (81) 22 4256 4545
 E-mail: kz_alucobond.india@3acomposites.com
 Website: www.alucobond.cn

MANUFACTURER
JA COMPOSITES INDIA PVT. LTD.
 Unit 852, 5th Floor,
 Solitaire Corporate Park,
 Andrieh (East),
 Mumbai - 400 093, India.
 Telephone: (81) 22 4256 4500
 Telefax: (81) 22 4256 4545
 E-mail: kz_alucobond.india@3acomposites.com
 Website: www.alucobond.in

DISTRIBUTORS/AGENTS:

AUSTRALIA
Alucobond Architectural
 A Division of Halifax Vogel Pty Limited
 25 West Park Drive,
 Derrimut Victoria 3012
 Australia
 Telephone: (61) 3 9394 3131
 Telefax: (61) 3 9394 3129
 Email: info@alucobond.com.au
 www.alucobond.com.au

BANGLADESH
Housing & Technology Limited
 Gagan Shirsh (2nd Floor)
 76, 76/1 East Raza Bazar
 Panthapath, Dhaka 1215
 Bangladesh
 Telephone: (880) 2 814 5765/815 1146
 Telefax: (880) 2 814 4190
 Email: ht@btcdom.com
 www.alucobond.com.bd

HONG KONG
Fordtec (H. K.) Ltd
 19/F Clifcorp Centre,
 18 Whitfield Road
 North Point
 Hong Kong
 Telephone: (852) 2598 6618
 Telefax: (852) 2598 6611
 Email: info@valfordgroup.com
 www.valfordgroup.com
 www.alucobond.hk

INDONESIA
PT Alucobond Far East Indonesia
 Jl. Jalur Sutra Timur Kav 7A, No.6
 Alam Sutura Tangerang
 Banten 15143
 Indonesia
 Mobile: (62) 8161968843
 Email: hendry.halimah@3acomposites.com
 www.alucobond.co.id

BRUNEI
Maju Jaya Sdn Bhd
 Unit 5, Ground Floor
 Simpang 607-17 Beribi Komplex
 Jalan Gadong BE1118
 Bandar Seri Begawan
 Brunei Darussalam
 Telephone: (673) 2 653 950/952
 Telefax: (673) 2 653 971
 Email: mjaya08@yahoo.com
 www.alucobond.com.bn

CAMBODIA
ALUCOBOND (FAR EAST) PTE LTD
 6 Shenton Way
 #40-05, OUE Downtown 1
 Singapore 068809
 Telephone: (65) 6303 9750
 Telefax: (65) 6303 9751
 Email: sales@alucobond.com.sg
 www.alucobond.com.sg

HONG KONG
Fordtec (H. K.) Ltd
 19/F Clifcorp Centre,
 18 Whitfield Road
 North Point
 Hong Kong
 Telephone: (852) 2598 6618
 Telefax: (852) 2598 6611
 Email: info@valfordgroup.com
 www.valfordgroup.com
 www.alucobond.hk

INDONESIA
PT Alucobond Far East Indonesia
 Jl. Jalur Sutra Timur Kav 7A, No.6
 Alam Sutura Tangerang
 Banten 15143
 Indonesia
 Mobile: (62) 8161968843
 Email: hendry.halimah@3acomposites.com
 www.alucobond.co.id

JAPAN
NIHON SEIZUKI KOGYO CO., LTD
 Parks Tower 23F
 2-10-70 Nambanaka Naniwa-Ku
 Osaka 556-0011
 Telephone: (81) 6 6578 0190
 Email: support@seizuki.com.jp
 www.alucobond.com.sg

KOREA
YB International Co.
 Suite 503 Hanuk Bldg
 645-4 Yuksam-Dong
 Kangnam-Ku, Seoul, Korea
 Telephone: (82) 2 567 1281/3
 Telefax: (82) 2 567 1284
 Email: yb@alucobond.co.kr
 www.alucobond.co.kr

MALAYSIA
ACIM Marketing Sdn Bhd
 No. 27 Jalan BPU 6
 Bandar Puchong Utama,
 47100 Puchong
 Selangor Darul Ehsan, Malaysia
 Telephone: (60) 3 5882 3661
 Telefax: (60) 3 5882 3662
 Email: jasonlim@acim.com.my
 www.alucobond.com.my

MYANMAR
ALUCOBOND (FAR EAST) PTE LTD
 6 Shenton Way
 #40-05, OUE Downtown 1
 Singapore 068809
 Telephone: (65) 6303 9750
 Telefax: (65) 6303 9751
 Email: sales@alucobond.com.sg
 www.alucobond.com.sg

**Sydney
 Melbourne
 Perth
 Adelaide**

Adelaide

NEW ZEALAND
ALUCOBOND (FAR EAST) PTE LTD
 6 Shenton Way
 #40-05, OUE Downtown 1
 Singapore 068809
 Telephone: (65) 6303 9750
 Telefax: (65) 6303 9751
 Email: sales@alucobond.com.sg
 www.alucobond.com

PAKISTAN
Safety Glass Works Pvt Ltd
 Plot 58, Sector 28
 Korangi Industrial Area
 Karachi 75180, Pakistan
 Telephone: (92) 21 504 2275
 Telefax: (92) 21 504 2276/506 5773
 Email: info@pakistansafetyglass.com
 www.alucobond.pk

PHILIPPINES
CLADDING COMPONENTS SPECIALIST UNLIMITED INC.
 # 40 St Dominic St.,
 ITC Compound Brgy. Bagbaguin,
 Valenzuela City, Metro Manila Philippines
 Telephone: (63) 2 947 434
 Email: miguelvrtan.ccsu@gmail.com
 www.alucobond.ph

SINGAPORE
ALUCOBOND (FAR EAST) PTE LTD
 6 Shenton Way
 #40-05, OUE Downtown 1
 Singapore 068809
 Telephone: (65) 6303 9750
 Telefax: (65) 6303 9751
 Email: sales@alucobond.com.sg
 www.alucobond.com.sg

SRI LANKA
JC Enterprises
 637/2 Sirimavo Bandaranayake
 Mawatha, Colombo 14
 Sri Lanka
 Telephone: (94) 11 238 5404/07
 Telefax: (94) 11 238 5403
 E-mail: jeykumar@stnet.lk

THAILAND
Gecons (Thailand) Co., Ltd
 589/32-33, 8th Floor,
 Central City Tower 1
 Bangna-Trad Rd., Bangna
 Bangkok 10260
 Thailand
 Telephone: (66) 2745 7181
 Telefax: (66) 2745 7188
 E-mail: thanapong@geconthailand.com
 www.alucobond.co.th

VIETNAM
Viet Homeland Co., Ltd
 14-16 Binh Gia Str,
 Tan Binh Dist.,
 Ho Chi Minh City
 Vietnam
 Telephone: (84) 80 880 3333
 Telefax: (84) 80 3811 9978
 E-mail: truongtan@viethomeland.com
 www.alucobond.co.th

- ◆ - Alucobond Far East Support Centre
- - Alucobond Manufacturers
- - Alucobond Distributors/Agents

ALUCOBOND® A2 / PLUS ALUCORE®



3A Composites India Pvt. Ltd.

Unit 852, 5th Floor,
Solitaire Corporate Park,
Andheri-Kurla Road,
Andheri (East),
Mumbai - 400 093, India.
Tel: (91) 22 4256 4500
Fax: (91) 22 4256 4546
E-mail Id: alucobond.india@3acomposites.com
Website: www.alucobond.in

- ◆ - Alucobond Head Office
- - Alucobond Plant
- - Alucobond Sales Offices

ALUCOBOND®



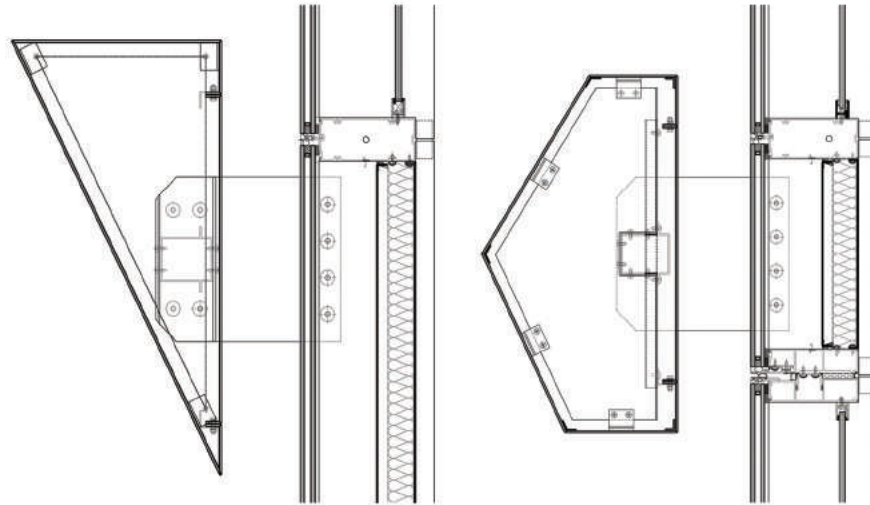
Raffles City | Hangzhou | China

January 2018

mon	tue	wed	thu	fri	sat	sun	mon	tue	wed	thu	fri	sat	sun	mon	tue	wed	thu	fri	sat	sun	mon	tue	wed							
1	2	3	4	5	6	7	8	9	10	11	12	13	14	15	16	17	18	19	20	21	22	23	24	25	26	27	28	29	30	31
Week 1							Week 2							Week 3							Week 4			Week 5						

ALUCOBOND®

Design | Construction ALUCOBOND® Special System - Special Construction



Horizontal Section

Vertical Section

All drawings are for illustration only. For design details suitable for your location contact our technical service or an ALUCOBOND® representative nearest to you.

Raffles City
Hangzhou | China

Building Owner	: Capitaland
Architect	: UN Studio
Completed	: 2017
Fabricator Installer	: GARTNER, Shenyang Yuanda
Product	: ALUCOBOND® PLUS 4mm
Surface Finish	: PVDF/FEVE coil-coated
Standard Colour	: Silver Metallic 500, Brilliant Metallic 602
Photos	: Mark Shen

ALUCOBOND®



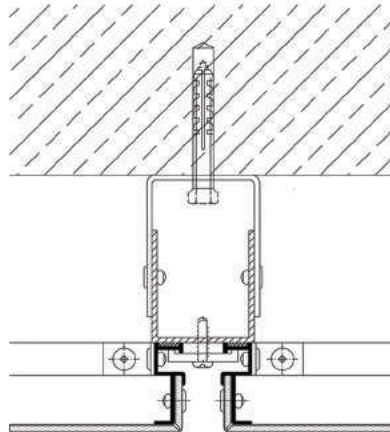
580 George Street | Sydney | Australia

February 2018

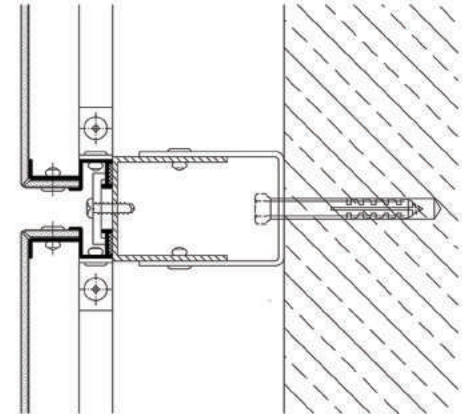
thu	fri	sat	sun	mon	tue	wed	thu	fri	sat	sun	mon	tue	wed	thu	fri	sat	sun	mon	tue	wed	thu	fri	sat	sun	mon	tue	wed
1	2	3	4	5	6	7	8	9	10	11	12	13	14	15	16	17	18	19	20	21	22	23	24	25	26	27	28
Week 5				Week 6				Week 7				Week 8				Week 9											

ALUCOBOND®

Design | Construction ALUCOBOND® Tray Panels System - Open Joint



Horizontal Section



Vertical Section

All drawings are for illustration only. For design details suitable for your location contact our technical service or an ALUCOBOND® representative nearest to you.

580 George Street
Sydney | Australia

Building Owner	: HSBC Building
Architect	: Kevin James Rice
Completed	: 2016
Fabricator Installer	: Empire Glass
Product	: ALUCOBOND® PLUS 4mm
Surface Finish	: FEVE coil-coated
Standard Colour	: NaturAL Brushed 400
Photos	: Mike Chorley

ALUCOBOND®



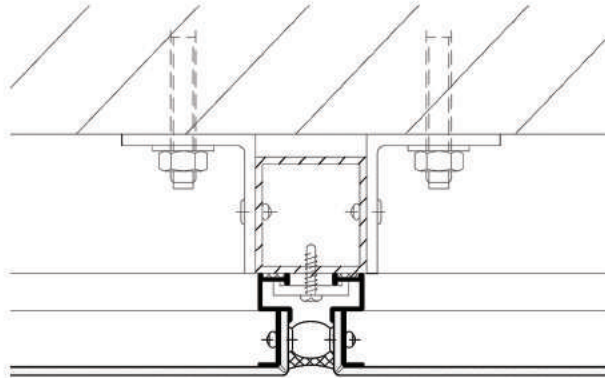
UMS | Central Java | Indonesia

March 2018

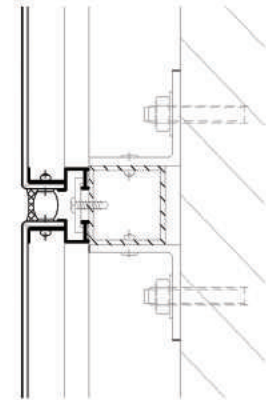
thu	fri	sat	sun	mon	tue	wed	thu	fri	sat	sun	mon	tue	wed	thu	fri	sat	sun	mon	tue	wed	thu	fri	sat							
1	2	3	4	5	6	7	8	9	10	11	12	13	14	15	16	17	18	19	20	21	22	23	24	25	26	27	28	29	30	31
Week 9				Week 10				Week 11				Week 12				Week 13														

ALUCOBOND®

Design | Construction ALUCOBOND® Tray Panels System - Sealed Joint



Horizontal Section



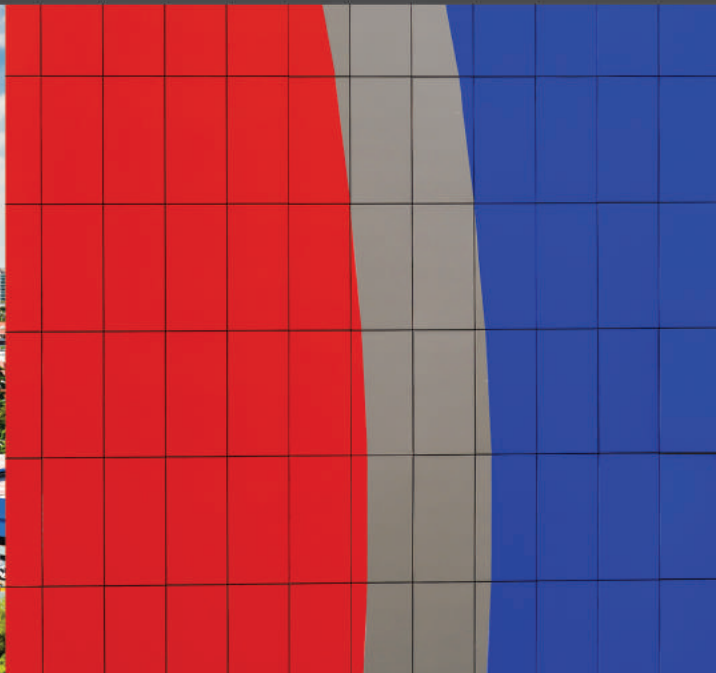
Vertical Section

All drawings are for illustration only. For design details suitable for your location contact our technical services or an ALUCOBOND® representative nearest to you.

UMS
Central Java | Indonesia

Building Owner	: Muhammadiyah Surakarta University
Architect	: Inhouse University
Completed	: 2016
Fabricator Installer	: PT.BESTA REKANDA
Product	: ALUCOBOND® 4mm
Surface Finish	: PVDF/FEVE coil-coated
Standard Colour	: NaturAL Brushed 400, Sparkling White Silver 884, Grey Metallic 502, Brilliant Metallic 602
Photos	: Syafil Hendro Sujatmoko

ALUCOBOND®



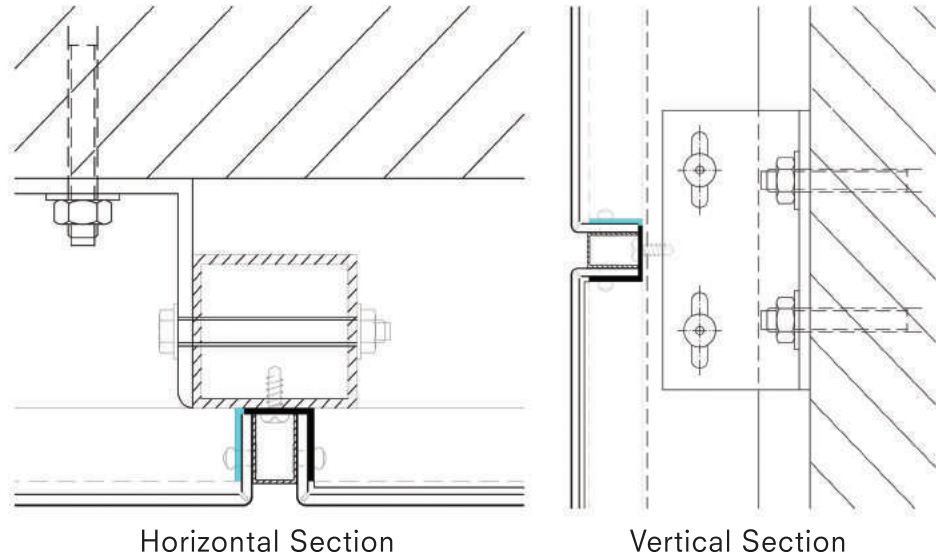
Toyogo Factory | Singapore

April 2018

sun	mon	tue	wed	thu	fri	sat	sun	mon	tue	wed	thu	fri	sat	sun	mon	tue	wed	thu	fri	sat	sun	mon							
1	2	3	4	5	6	7	8	9	10	11	12	13	14	15	16	17	18	19	20	21	22	23	24	25	26	27	28	29	30
Week 14							Week 15							Week 16							Week 17								

ALUCOBOND®

Design | Construction ALUCOBOND® Tray Panels System - Capped Joint



All drawings are for illustration only. For design details suitable for your location contact our technical service or an ALUCOBOND® representative nearest to you.

Toyogo Factory
Singapore

Building Owner	: Toyogo
Architect	: ID Architect
Completed	: 2016
Fabricator Installer	: Industrade Aluminium Pte Ltd
Product	: ALUCOBOND® PLUS 4mm
Surface Finish	: PVDF/FEVE coil-coated
Standard Colour	: Silver Metallic 500, Grey Metallic 502, Red 8201, Intense Blue 3191
Photos	: John Yuen

ALUCOBOND®



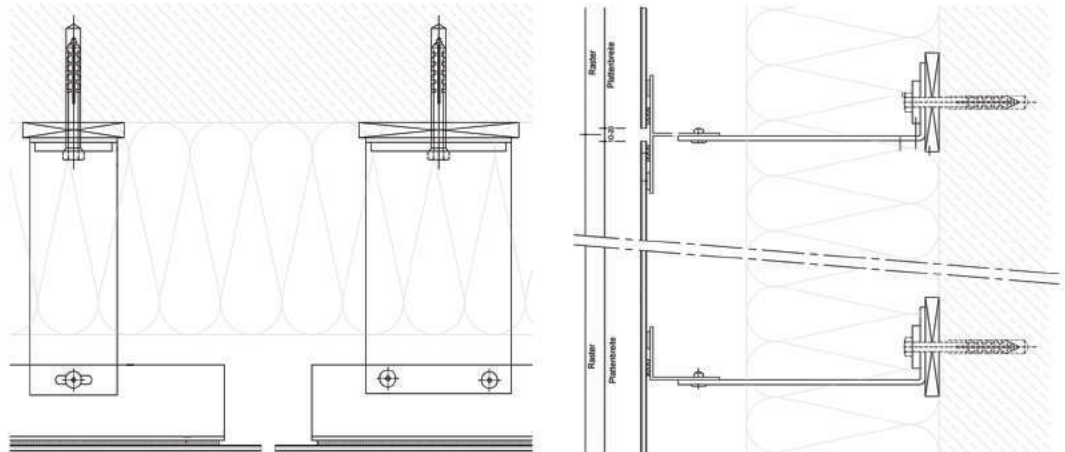
Casa Invisible | Slovenia

May 2018

tue	wed	thu	fri	sat	sun	mon	tue	wed	thu	fri	sat	sun	mon	tue	wed	thu	fri	sat	sun	mon	tue	wed	thu							
1	2	3	4	5	6	7	8	9	10	11	12	13	14	15	16	17	18	19	20	21	22	23	24	25	26	27	28	29	30	31
Week 18						Week 19						Week 20						Week 21						Week 22						

ALUCOBOND®

Design | Construction ALUCOBOND® Flat Panels System - Mounted with VHB Tape



Horizontal Section

Vertical Section

All drawings are for illustration only. For design details suitable for your location contact our technical service or an ALUCOBOND® representative nearest to you.

Casa Invisible Slovenia

Building Owner	: Architekt Meissl
Architect	: DMAA Delugan Meissl Associated Architects, Vienna
Completed	: 2013
Fabricator Installer	: AMARI AUSTRIA
Product	: ALUCOBOND® PLUS 4mm
Surface Finish	: FEVE coil-coated
Standard Colour	: naturAL Reflect 405
Photos	: Christian Brandstätter

ALUCOBOND®



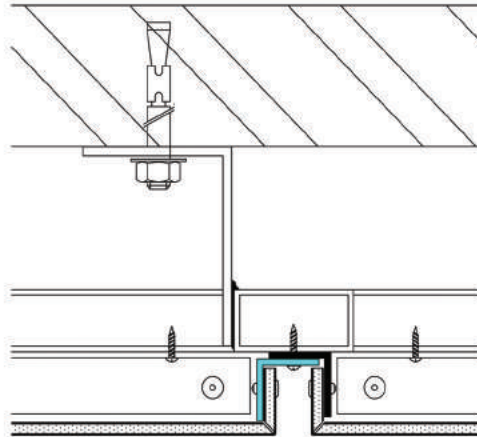
Central Festival East Ville | Bangkok | Thailand

June 2018

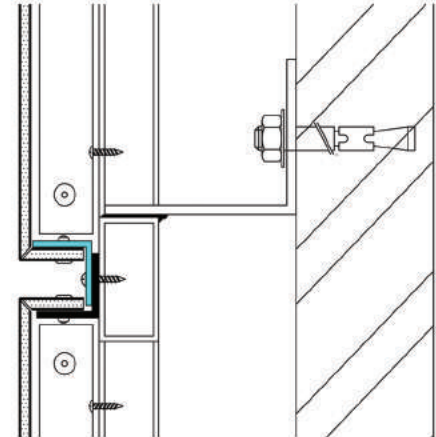
fri	sat	sun	mon	tue	wed	thu	fri	sat	sun	mon	tue	wed	thu	fri	sat	sun	mon	tue	wed	thu	fri	sat	sun	mon	tue	wed	thu	fri	sat
1	2	3	4	5	6	7	8	9	10	11	12	13	14	15	16	17	18	19	20	21	22	23	24	25	26	27	28	29	30
Week 22			Week 23					Week 24					Week 25					Week 26											

ALUCOBOND®

Design | Construction ALUCOBOND® Tray Panels System - Open Joint



Horizontal Section



Vertical Section

All drawings are for illustration only. For design details suitable for your location contact our technical service or an ALUCOBOND® representative nearest to you.

Central Festival East Ville Bangkok | Thailand

Building Owner

Architect

Completed

Fabricator | Installer

Product

Surface Finish

Standard Colour

Photos

: Central Pattana Public Company Limited

: M.A.A.R. Co., Ltd.

: 2015

: Asia Aluminum and Glass Co., Ltd.

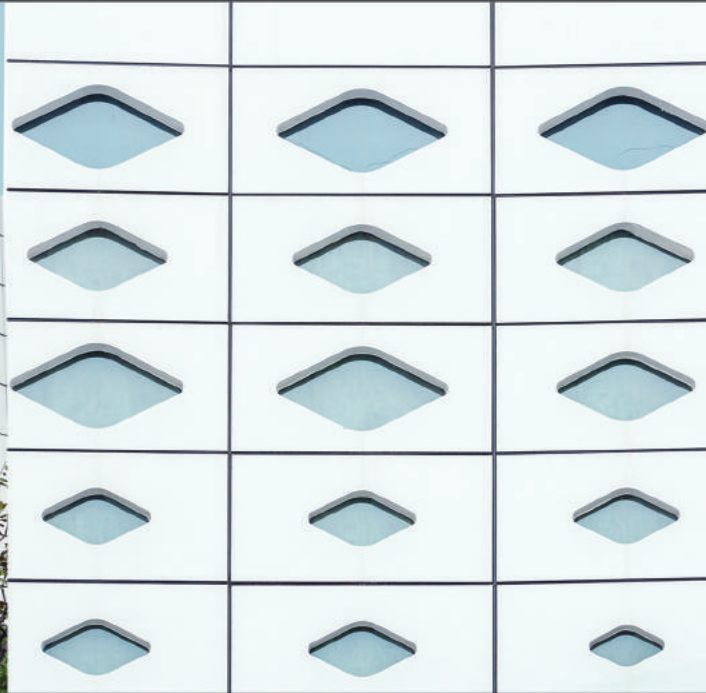
: ALUCOBOND® PLUS 4mm

: FEVE coil-coated

: Spectra Autumn 915, Spectra Cupral 913

: Noppawan Satjachaiyanon

ALUCOBOND®



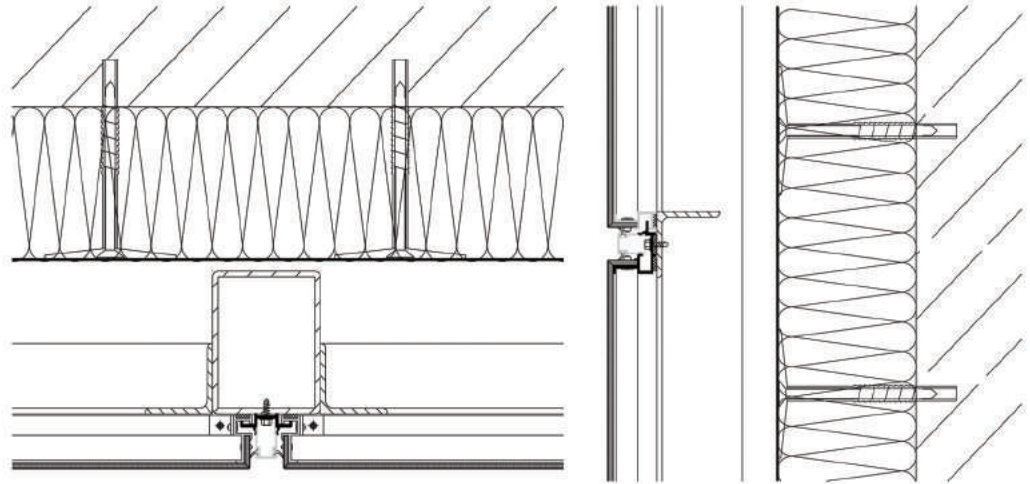
Suining Museum | Suining | China

July 2018

sun	mon	tue	wed	thu	fri	sat	sun	mon	tue	wed	thu	fri	sat	sun	mon	tue	wed	thu	fri	sat	sun	mon	tue							
1	2	3	4	5	6	7	8	9	10	11	12	13	14	15	16	17	18	19	20	21	22	23	24	25	26	27	28	29	30	31
Week 27							Week 28							Week 29							Week 30									

ALUCOBOND®

Design | Construction ALUCOBOND® Tray Panels System - Capped Joint



Horizontal Section

Vertical Section

All drawings are for illustration only. For design details suitable for your location contact our technical service or an ALUCOBOND® representative nearest to you.

Suining Museum
Suining | China

Building Owner	: Local Government of the Suining City
Architect	: Architectural Design and Research Institute of Tsinghua University
Completed	: 2017
Fabricator Installer	: Tianyuan Shandong Construction Group Co., Ltd
Product	: ALUCOBOND® PLUS 4mm
Surface Finish	: FEVE coil-coated
Standard Colour	: Spectra White Gold 919
Photos	: Mark Shen

ALUCOBOND®



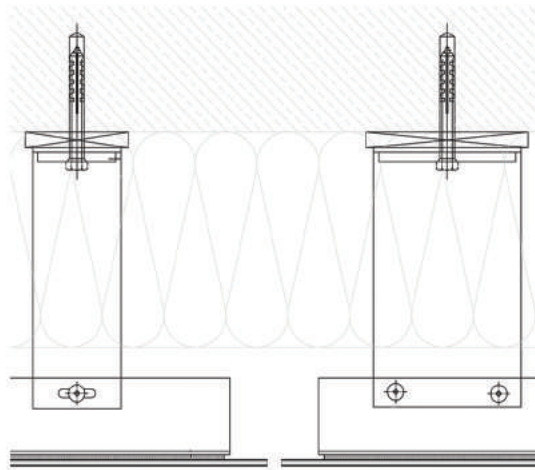
Orona I Hernani, Guipúzcoa | Spain

August 2018

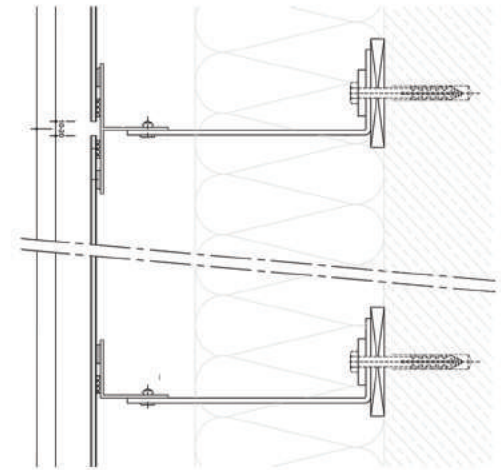
wed	thu	fri	sat	sun	mon	tue	wed	thu	fri	sat	sun	mon	tue	wed	thu	fri	sat	sun	mon	tue	wed	thu	fri							
1	2	3	4	5	6	7	8	9	10	11	12	13	14	15	16	17	18	19	20	21	22	23	24	25	26	27	28	29	30	31
Week 31					Week 32							Week 33						Week 34					Week 35							

ALUCOBOND®

Design | Construction ALUCOBOND® Flat Panels System - Mounted with VHB Tape



Horizontal Section



Vertical Section

All drawings are for illustration only. For design details suitable for your location contact our technical service or an ALUCOBOND® representative nearest to you.

Orona
Hernani, Guipúzcoa | Spain

Building Owner	: Fundación Orona
Architect	: LKS Xavier Barrutieta, Goikoetxea, delaFuente, Perez
Completed	: 2014
Fabricator Installer	: Uxama Fachadas Singulares
Product	: ALUCOBOND® PLUS 6mm
Surface Finish	: FEVE coil-coated
Standard Colour	: NaturAL Reflect 405
Photos	: Agustín Sagasti

ALUCOBOND®



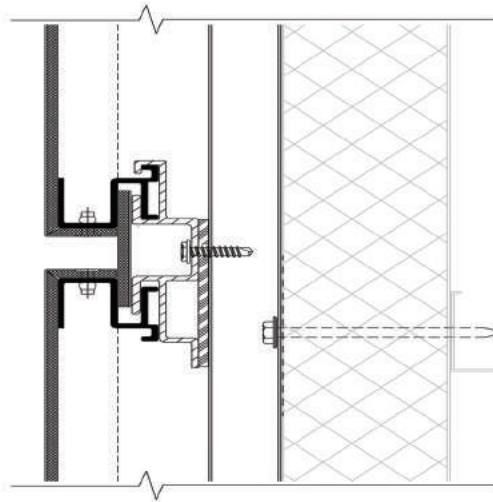
The Encore Luxury Apartments | Minneapolis | US

September 2018

sat	sun	mon	tue	wed	thu	fri	sat	sun	mon	tue	wed	thu	fri	sat	sun	mon	tue	wed	thu	fri	sat	sun									
1	2	3	4	5	6	7	8	9	10	11	12	13	14	15	16	17	18	19	20	21	22	23	24	25	26	27	28	29	30		
Week 36								Week 37								Week 38								Week 39							

ALUCOBOND®

Design | Construction ALUCOBOND® Tray Panels System - Special Construction



Vertical Section

All drawings are for illustration only. For design details suitable for your location contact our technical service or an ALUCOBOND® representative nearest to you.

The Encore Luxury Apartments Minneapolis | US

Building Owner	: Encore Apartments LLC
Architect	: Sherman Associates, Inc. and ESG Architecture & Design
Completed	: 2016
Fabricator Installer	: Berwald Roofing & Sheet Metal Co., Inc.
Product	: ALUCOBOND® PLUS 4mm
Surface Finish	: PVDF/FEVE coil-coated
Standard Colour	: Silver Metallic, Brushed Stainless, Brushed Graphite, Focus Black, Anodic Clear
Photos	: Bergerson Photography

ALUCOBOND®



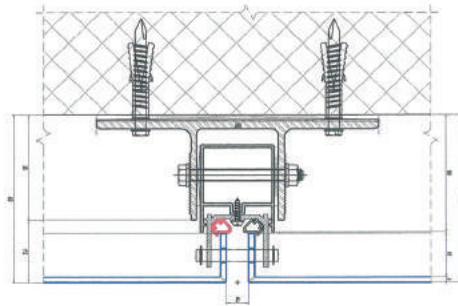
Riyadh Mall | Riyadh | Saudi Arabia

October 2018

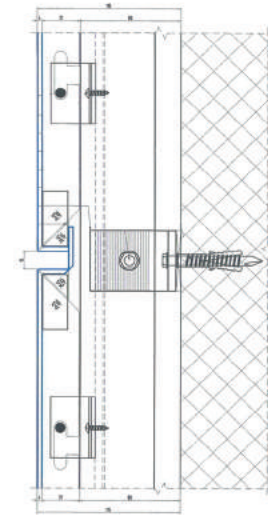
mon	tue	wed	thu	fri	sat	sun	mon	tue	wed	thu	fri	sat	sun	mon	tue	wed	thu	fri	sat	sun	mon	tue	wed							
1	2	3	4	5	6	7	8	9	10	11	12	13	14	15	16	17	18	19	20	21	22	23	24	25	26	27	28	29	30	31
Week 40							Week 41							Week 42							Week 43							Week 44		

ALUCOBOND®

Design | Construction ALUCOBOND® Tray Panels System - Hook On



Horizontal Section



Vertical Section

All drawings are for illustration only. For design details suitable for your location contact our technical service or an ALUCOBOND® representative nearest to you.

Riyadh Mall
Riyadh | Saudi Arabia

Building Owner	: Asalah Holding Co LTD
Architect	: Benoy UK
Completed	: 2017
Fabricator Installer	: DAR METAL Industries
Product	: ALUCOBOND® PLUS 4 mm
Surface Finish	: PVDF coil-coated
Standard Colour	: Rusted Metal, Timber Wood Finish
Photos	: Markus Setz

ALUCOBOND®



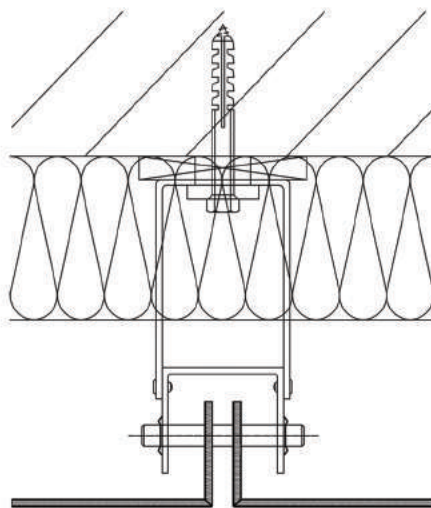
Airport Kurumoch | Samara | Russia

November 2018

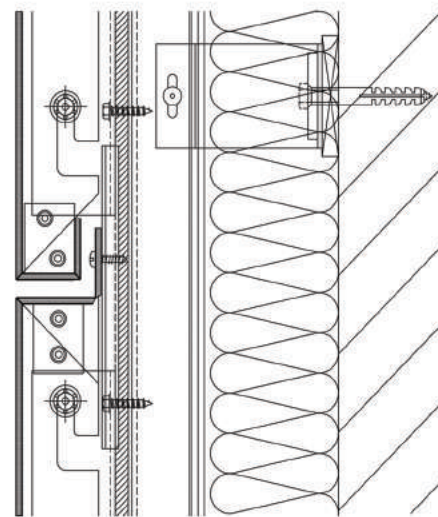
thu	fri	sat	sun	mon	tue	wed	thu	fri	sat	sun	mon	tue	wed	thu	fri	sat	sun	mon	tue	wed	thu	fri							
1	2	3	4	5	6	7	8	9	10	11	12	13	14	15	16	17	18	19	20	21	22	23	24	25	26	27	28	29	30
Week 44				Week 45				Week 46				Week 47				Week 48													

ALUCOBOND®

Design | Construction ALUCOBOND® Tray Panels System - Hook On



Horizontal Section



Vertical Section

All drawings are for illustration only. For design details suitable for your location contact our technical service or an ALUCOBOND® representative nearest to you.

Airport Kurumoch
Samara | Russia

Architect
Completed
Fabricator | Installer
Product
Surface Finish
Standard Colour
Photos

: Spectrum-Holding
: 2014
: ZAO ASKON
: ALUCOBOND® PLUS 4mm
: PVDF coil-coated
: Silver Metallic 500
: Daniel Sumesgutner

ALUCOBOND®



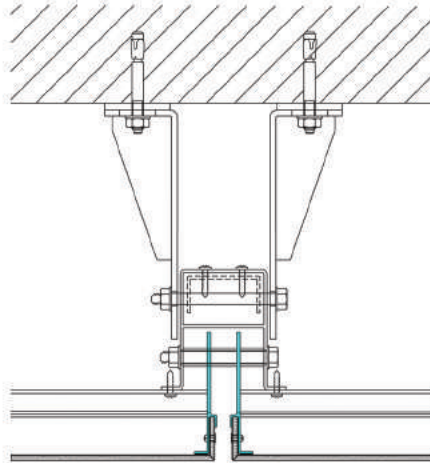
Kumar Sienna | Pune | India

December 2018

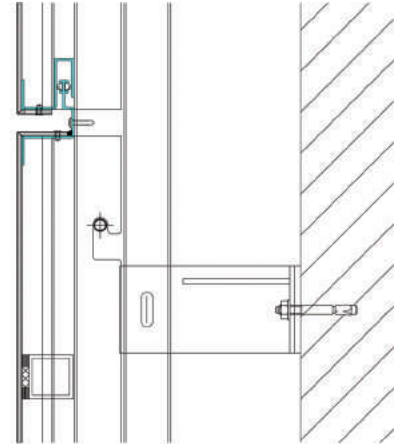
sat	sun	mon	tue	wed	thu	fri	sat	sun	mon	tue	wed	thu	fri	sat	sun	mon	tue	wed	thu	fri	sat	sun	mon							
1	2	3	4	5	6	7	8	9	10	11	12	13	14	15	16	17	18	19	20	21	22	23	24	25	26	27	28	29	30	31
Week 49							Week 50							Week 51							Week 52									

ALUCOBOND®

Design | Construction ALUCOBOND® Tray Panels System - Hook on



Horizontal Section



Vertical Section

All drawings are for illustration only. For design details suitable for your location contact our technical service or an ALUCOBOND® representative nearest to you.

Kumar Sienna
Pune | India

Building Owner	: Kumar Sienna/Kumar Properties
Architect	: Farhad Khareghat / Khareghat and Associates
Completed	: 2017
Fabricator Installer	: Alcob India Pvt.Ltd
Product	: ALUCOBOND® PE 4mm
Surface Finish	: PVDF coil-coated
Standard Colour	: Brownish Red, Black(326), Brilliant Metallic(602)
Photos	: Shailesh Pandit