

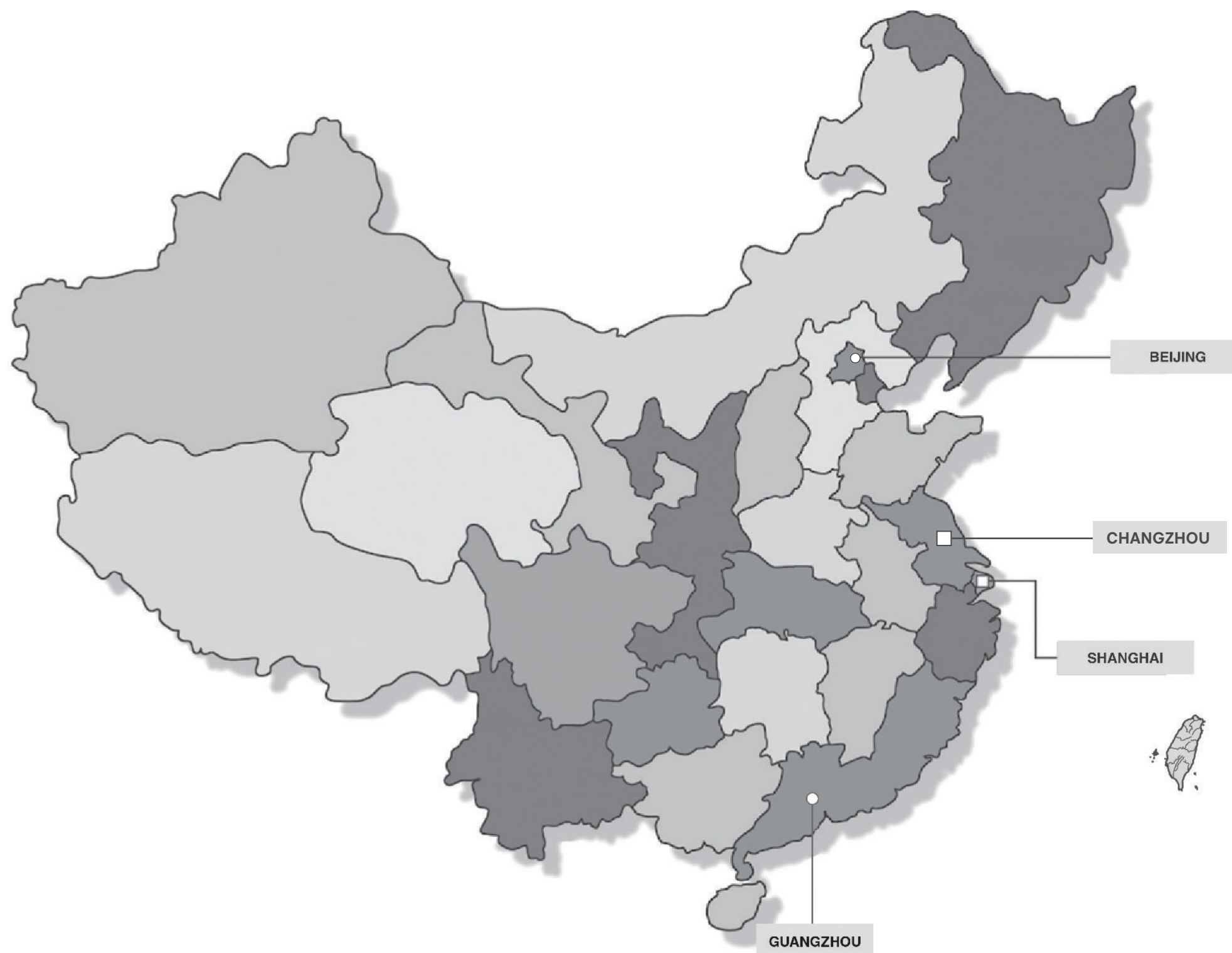
# ALUCOBOND® ALUCORE®

# 2017





# ALUCOBOND® A2 / plus / PE ALUCORE® / ALUCORE®



- ◆ - Alucobond Head Office
- - Alucobond Plant
- - Alucobond Sales Offices

## 3A COMPOSITES (CHINA) LTD.

Room 1902-1903  
Feng Sheng Chuang Jian Building  
Mengzi road No. 763  
Huangpu Shanghai  
China  
Telephone: 021 5813 5353  
Fax: 021 5813 5333  
Email: alucobond.china@3acomposites.com  
www.alucobond.com.cn

## 思瑞安复合材料(中国)有限公司

上海市  
蒙自路763号  
丰盛创建大厦  
1902-1903室  
电话: 021 6315 8550  
传真: 021 6315 8560  
电邮: alucobond.china@3acomposites.com  
www.alucobond.com.cn

## ALUCOBOND COMPOSITES (JIANGSU) LTD.

10 South Hehuan Road  
Zhonglou, Changzhou 213023, China  
Telephone: 0519 8166 5766  
Fax: 0519 8166 5999

## 阿鲁克邦复合材料(中国)有限公司

中国江苏常州钟楼区  
合欢南路10号213023  
电话: 0519 8166 5766  
传真: 0519 8166 5799

## SALES OFFICES IN CHINA:

思瑞安复合材料(中国)有限公司 北京办事处  
北京市朝阳区何各庄87号院  
邮编: 100010  
电话: 010 6552 6755  
传真: 010 6552 7055

## Beijing. 3A Composites (China) Ltd.

No.87 Hegezhuang Chaoyang District Beijing  
100103 Beijing.  
Telephone: 010 6552 6755  
Fax: 010 6552 7055

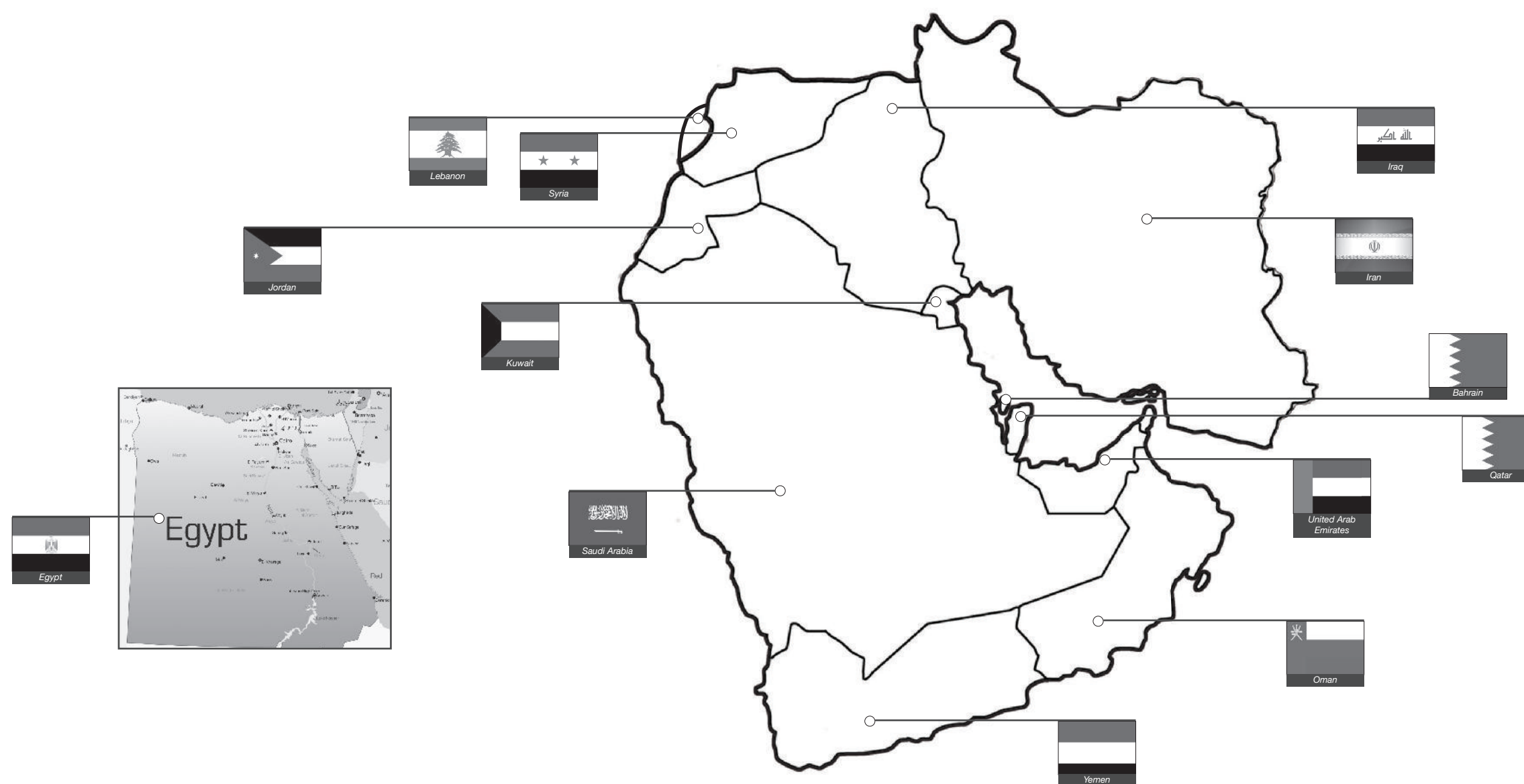
## 思瑞安复合材料(中国)有限公司广州办事处

广州市天河区天河路373号隆德大厦东座2907室  
邮编: 510000  
电话/传真: 020 8526 1031  
East Room 2907, Longde Tower, No.373 Tianhe  
Road, Tianhe District, 510000 Guangzhou.  
Telephone/Fax: 020 8526 1031

For more information, please contact us.  
如有需求, 敬请联络

# ALUCOBOND® A2 / plus / PE

## ALUCORE® / ALUCORE®



**MIDDLE EAST SUPPORT CENTRE:**  
**3A COMPOSITES MIDDLE EAST (BRANCH)**  
 Almas Tower, JLT  
 P.O. Box 340 505  
 Dubai, U.A.E  
 Mobile: (971) 50 5574676  
 Email: markus.setz@3acomposites.com  
 www.alucobond.com

**FAR EAST SUPPORT CENTRE:**  
**ALUCOBOND (FAR EAST) PTE LTD**  
 6 Shenton Way £40-05  
 OUE Downtown 1  
 Singapore 068809  
 Tel: (65) 6303 9750  
 Fax: (65) 6303 9751  
 Email: sales@alucobond.com.sg  
 www.alucobond.com.sg

**MANUFACTURER:**  
**3A COMPOSITES GMBH**  
 Alusingen-Platz 1  
 78224 Singen/Germany  
 Telephone: (49) 7731 802347  
 Telefax: (49) 7731 802845  
 Email: info.eu@alucobond.com  
 www.alucobond.com

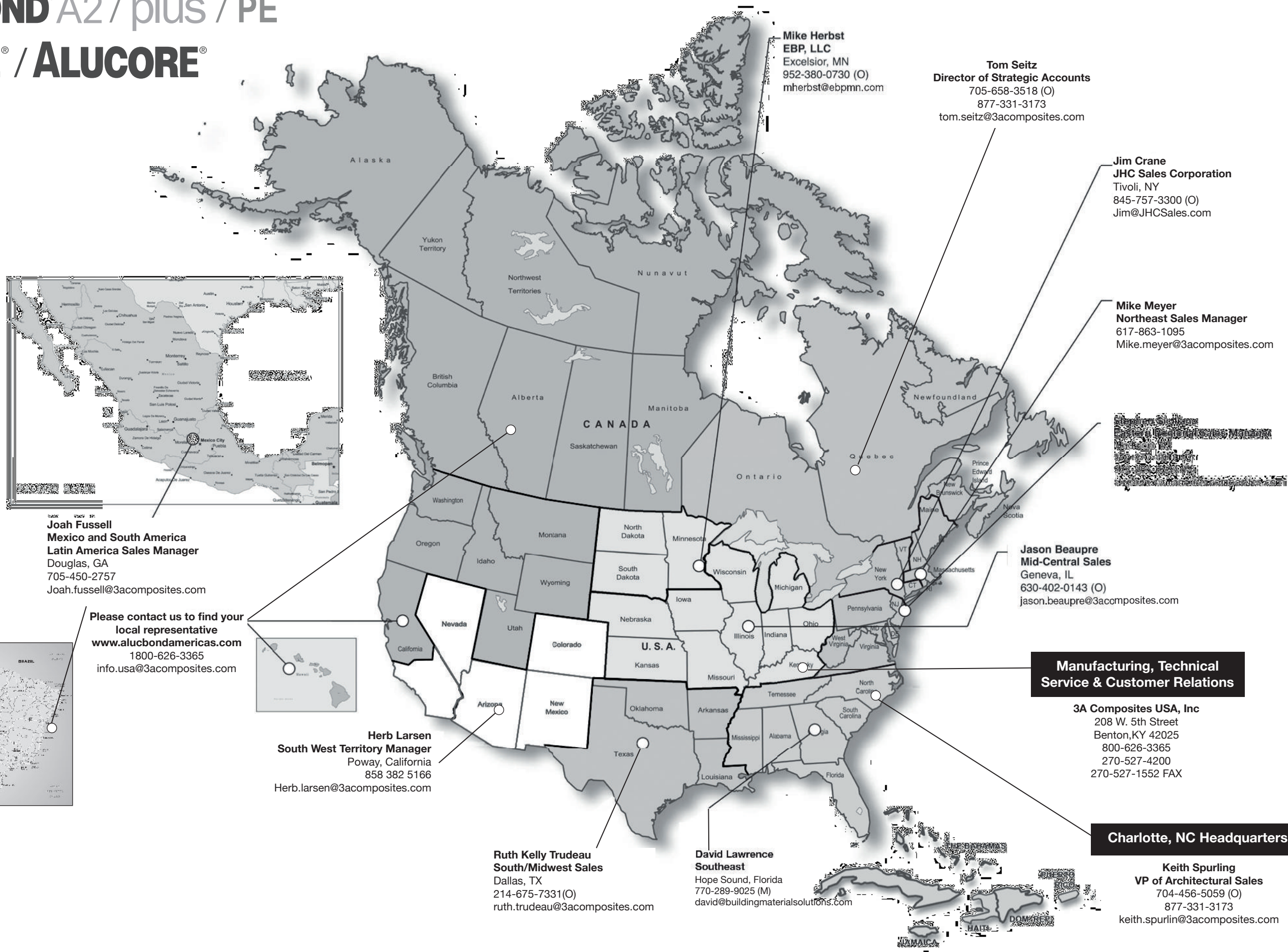
**MANUFACTURER:**  
**3A COMPOSITES (CHINA) LTD.**  
 Room 1902-1903  
 Feng Sheng Chuang Jian Building  
 Mengzi road No. 763  
 Huangpu Shanghai  
 China  
 Telephone: 021 5813 5353  
 Fax: 021 5813 5333  
 Email: alucobond.china@3acomposites.com  
 www.alucobond.com.cn

**MANUFACTURER:**  
**3A COMPOSITES INDIA PVT. LTD.**  
 Unit 852, Building 8, 5th Floor,  
 Solitaire Corporate Park, Andheri (East)  
 Mumbai 400 093  
 Telephone: (91) 22 4256 4500  
 Fax: (91) 22 4256 4545  
 Email: info.india@alucobond.com  
 www.alucobond.in



# ALUCOBOND® A2 / plus / PE

## ALUCORE® / ALUCORE®



**Mike Herbst**  
**EBP, LLC**  
 Excelsior, MN  
 952-380-0730 (O)  
 mherbst@ebpmn.com

**Tom Seitz**  
**Director of Strategic Accounts**  
 705-658-3518 (O)  
 877-331-3173  
 tom.seitz@3acomposites.com

**Jim Crane**  
**JHC Sales Corporation**  
 Tivoli, NY  
 845-757-3300 (O)  
 Jim@JHCSales.com

**Mike Meyer**  
**Northeast Sales Manager**  
 617-863-1095  
 Mike.meyer@3acomposites.com

**Jason Beaupre**  
**Mid-Central Sales**  
 Geneva, IL  
 630-402-0143 (O)  
 jason.beaupre@3acomposites.com

**Joah Fussell**  
**Mexico and South America**  
**Latin America Sales Manager**  
 Douglas, GA  
 705-450-2757  
 Joah.fussell@3acomposites.com

Please contact us to find your local representative  
[www.alucobondamericas.com](http://www.alucobondamericas.com)  
 1800-626-3365  
 info.usa@3acomposites.com

**Herb Larsen**  
**South West Territory Manager**  
 Poway, California  
 858 382 5166  
 Herb.larsen@3acomposites.com

**Ruth Kelly Trudeau**  
**South/Midwest Sales**  
 Dallas, TX  
 214-675-7331(O)  
 ruth.trudeau@3acomposites.com

**David Lawrence**  
**Southeast**  
 Hope Sound, Florida  
 770-289-9025 (M)  
 david@buildingmaterialsolutions.com

**Manufacturing, Technical Service & Customer Relations**

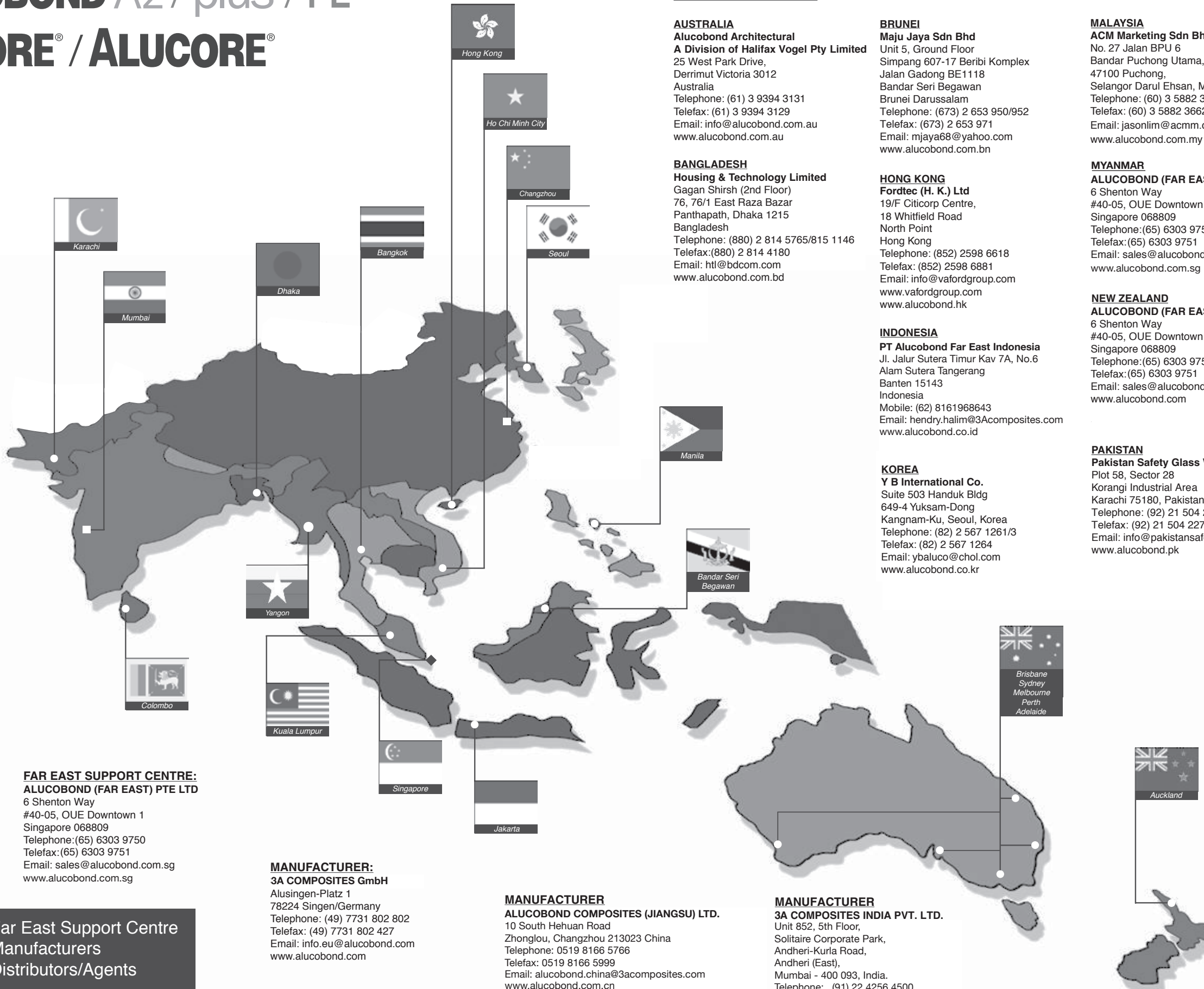
**3A Composites USA, Inc**  
 208 W. 5th Street  
 Benton, KY 42025  
 800-626-3365  
 270-527-4200  
 270-527-1552 FAX

**Charlotte, NC Headquarters**

**Keith Spurling**  
**VP of Architectural Sales**  
 704-456-5059 (O)  
 877-331-3173  
 keith.spurlin@3acomposites.com



# ALUCOBOND® A2 / plus / PE ALUCORE® / ALUCORE®



## DISTRIBUTORS/AGENTS:

**AUSTRALIA**  
Alucobond Architectural  
A Division of Halifax Vogel Pty Limited  
25 West Park Drive,  
Derrimut Victoria 3012  
Australia  
Telephone: (61) 3 9394 3131  
Telefax: (61) 3 9394 3129  
Email: info@alucobond.com.au  
www.alucobond.com.au

**BANGLADESH**  
Housing & Technology Limited  
Gagan Shirsh (2nd Floor)  
76, 76/1 East Raza Bazar  
Panthapath, Dhaka 1215  
Bangladesh  
Telephone: (880) 2 814 5765/815 1146  
Telefax: (880) 2 814 4180  
Email: htl@bdcom.com  
www.alucobond.com.bd

**BRUNEI**  
Maju Jaya Sdn Bhd  
Unit 5, Ground Floor  
Simpang 607-17 Beribi Komplex  
Jalan Gadong BE1118  
Bandar Seri Begawan  
Brunei Darussalam  
Telephone: (673) 2 653 950/952  
Telefax: (673) 2 653 971  
Email: mjaya68@yahoo.com  
www.alucobond.com.bn

**HONG KONG**  
Fordtec (H. K.) Ltd  
19/F Citicorp Centre,  
18 Whitfield Road  
North Point  
Hong Kong  
Telephone: (852) 2598 6618  
Telefax: (852) 2598 6881  
Email: info@vafordgroup.com  
www.vafordgroup.com  
www.alucobond.hk

**INDONESIA**  
PT Alucobond Far East Indonesia  
Jl. Jalur Sutera Timur Kav 7A, No.6  
Alam Sutera Tangerang  
Banten 15143  
Indonesia  
Mobile: (62) 8161968643  
Email: hendry.halim@3Acomposites.com  
www.alucobond.co.id

**KOREA**  
Y B International Co.  
Suite 503 Handuk Bldg  
649-4 Yuksam-Dong  
Kangnam-Ku, Seoul, Korea  
Telephone: (82) 2 567 1261/3  
Telefax: (82) 2 567 1264  
Email: ybaluco@chol.com  
www.alucobond.co.kr

**MALAYSIA**  
ACM Marketing Sdn Bhd  
No. 27 Jalan BPU 6  
Bandar Puchong Utama,  
47100 Puchong,  
Selangor Darul Ehsan, Malaysia  
Telephone: (60) 3 5882 3661  
Telefax: (60) 3 5882 3662  
Email: jasonlim@acmm.com.my  
www.alucobond.com.my

**MYANMAR**  
ALUCOBOND (FAR EAST) PTE LTD  
6 Shenton Way  
Singapore 068809  
#40-05, OUE Downtown 1  
Singapore 068809  
Telephone: (65) 6303 9750  
Telefax: (65) 6303 9751  
Email: sales@alucobond.com.sg  
www.alucobond.com.sg

**NEW ZEALAND**  
ALUCOBOND (FAR EAST) PTE LTD  
6 Shenton Way  
Singapore 068809  
#40-05, OUE Downtown 1  
Singapore 068809  
Telephone: (65) 6303 9750  
Telefax: (65) 6303 9751  
Email: sales@alucobond.com.sg  
www.alucobond.com

**PAKISTAN**  
Pakistan Safety Glass Works Pvt Ltd  
Plot 58, Sector 28  
Korangi Industrial Area  
Karachi 75180, Pakistan  
Telephone: (92) 21 504 2275  
Telefax: (92) 21 504 2276/506 5773  
Email: info@pakistansafetyglass.com  
www.alucobond.pk

**PHILIPPINES**  
Multiple Option Inc.  
#31 Annapolis St. 1508 Atlanta Center  
Greenhills, San Juan  
Philippines  
Telephone: (63) 2 721 6171  
Telefax: (63) 2 584 5687  
E-mail: alt@pltdsl.net  
www.alucobond.ph

**SINGAPORE**  
ALUCOBOND (FAR EAST) PTE LTD  
6 Shenton Way  
Singapore 068809  
#40-05, OUE Downtown 1  
Singapore 068809  
Telephone: (65) 6303 9750  
Telefax: (65) 6303 9751  
Email: sales@alucobond.com.sg  
www.alucobond.com.sg

**SRI LANKA**  
JC Enterprises  
637/2 Sirimavo Bandaranayake  
Mawatha, Colombo 14  
Sri Lanka  
Telephone: (94) 11 238 5404/07  
Telefax: (94) 11 238 5403  
E-mail: jeykumar@sitnet.lk

**THAILAND**  
Gecons (Thailand) Co., Ltd  
589/32-33, 8th Floor,  
Central City Tower 1  
Bangna-Trad Rd., Bangna  
Bangkok 10260  
Thailand  
Telephone: (66) 2745 7181  
Telefax: (66) 2745 7188  
E-mail: thanapong@geconthailand.com  
www.alucobond.co.th

**VIETNAM**  
Viethomeland Co., Ltd  
14-16 Binh Gia Str,  
Tan Binh Dist.,  
Ho Chi Minh City  
Vietnam  
Telephone: (84) 90 880 3333  
Telefax: (84) 8 3811 8978  
E-mail: trongtuan@viethomeland.com  
www.alucobond.co.th

**FAR EAST SUPPORT CENTRE:**  
ALUCOBOND (FAR EAST) PTE LTD  
6 Shenton Way  
#40-05, OUE Downtown 1  
Singapore 068809  
Telephone: (65) 6303 9750  
Telefax: (65) 6303 9751  
Email: sales@alucobond.com.sg  
www.alucobond.com.sg

**MANUFACTURER:**  
3A COMPOSITES GmbH  
Alusingen-Platz 1  
78224 Singen/Germany  
Telephone: (49) 7731 802 802  
Telefax: (49) 7731 802 427  
Email: info.eu@alucobond.com  
www.alucobond.com

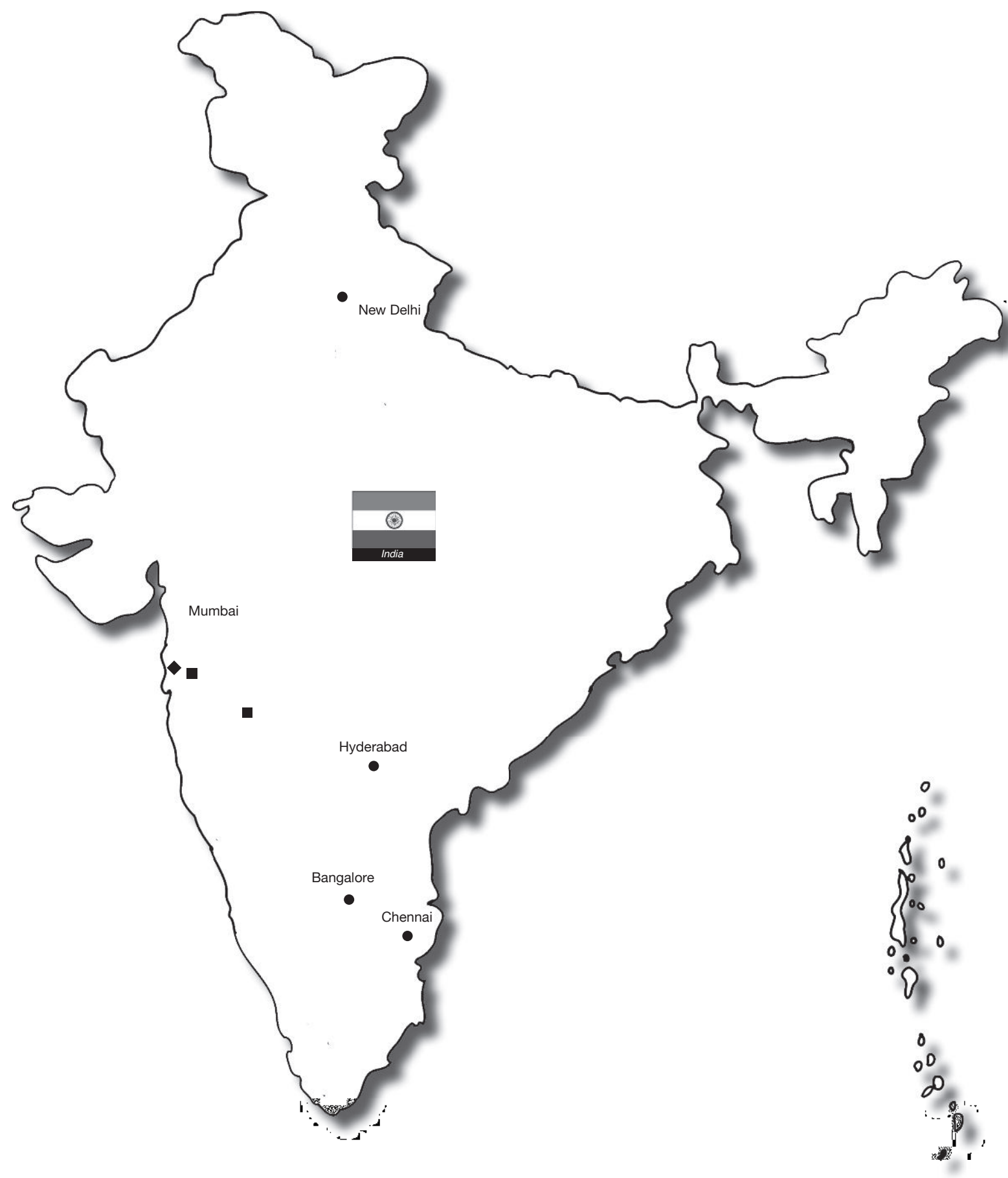
**MANUFACTURER**  
ALUCOBOND COMPOSITES (JIANGSU) LTD.  
10 South Hehuan Road  
Zhonglou, Changzhou 213023 China  
Telephone: 0519 8166 5766  
Telefax: 0519 8166 5999  
Email: alucobond.china@3acomposites.com  
www.alucobond.com.cn

**MANUFACTURER**  
3A COMPOSITES INDIA PVT. LTD.  
Unit 852, 5th Floor,  
Solitaire Corporate Park,  
Andheri-Kurla Road,  
Andheri (East),  
Mumbai - 400 093, India.  
Telephone: (91) 22 4256 4500  
Telefax: (91) 22 4256 4545  
E-mail Id: alucobond.  
india@3acomposites.com  
Website: www.alucobond.in

- ◆ - Alucobond Far East Support Centre
- - Alucobond Manufacturers
- - Alucobond Distributors/Agents



# ALUCOBOND® A2 / plus / PE ALUCORE® / ALUCORE®



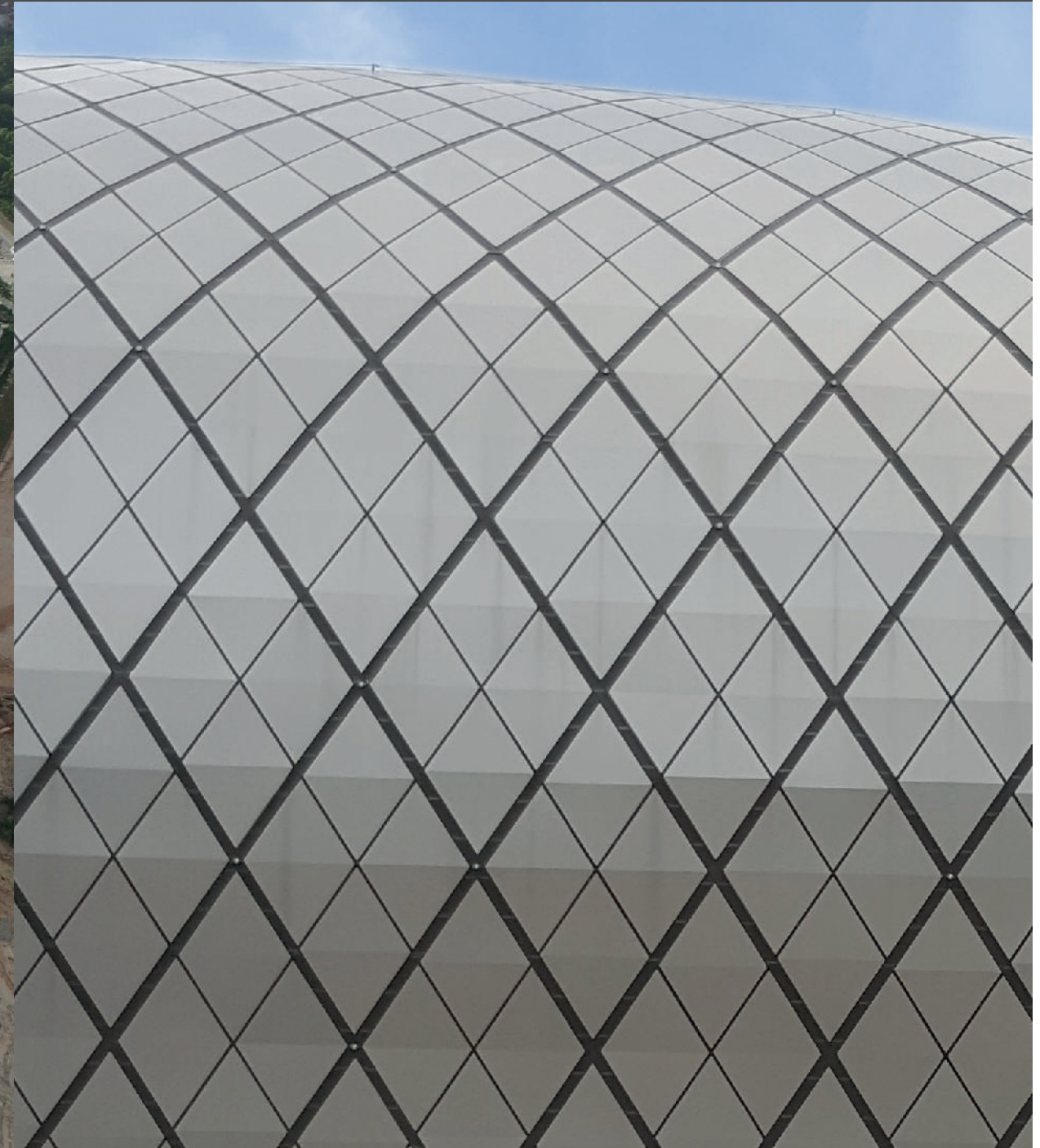
## **3A Composites India Pvt. Ltd.**

Unit 852, 5th Floor,  
Solitaire Corporate Park,  
Andheri-Kurla Road,  
Andheri (East),  
Mumbai - 400 093, India.  
Tel: (91) 22 4256 4500  
Fax: (91) 22 4256 4545  
E-mail Id: [alucobond.india@3acomposites.com](mailto:alucobond.india@3acomposites.com)  
Website: [www.alucobond.in](http://www.alucobond.in)

- ◆ - Alucobond Head Office
- - Alucobond Plant
- - Alucobond Sales Offices



# ALUCOBOND®



MITEC Convention Centre | Kuala Lumpur | Malaysia

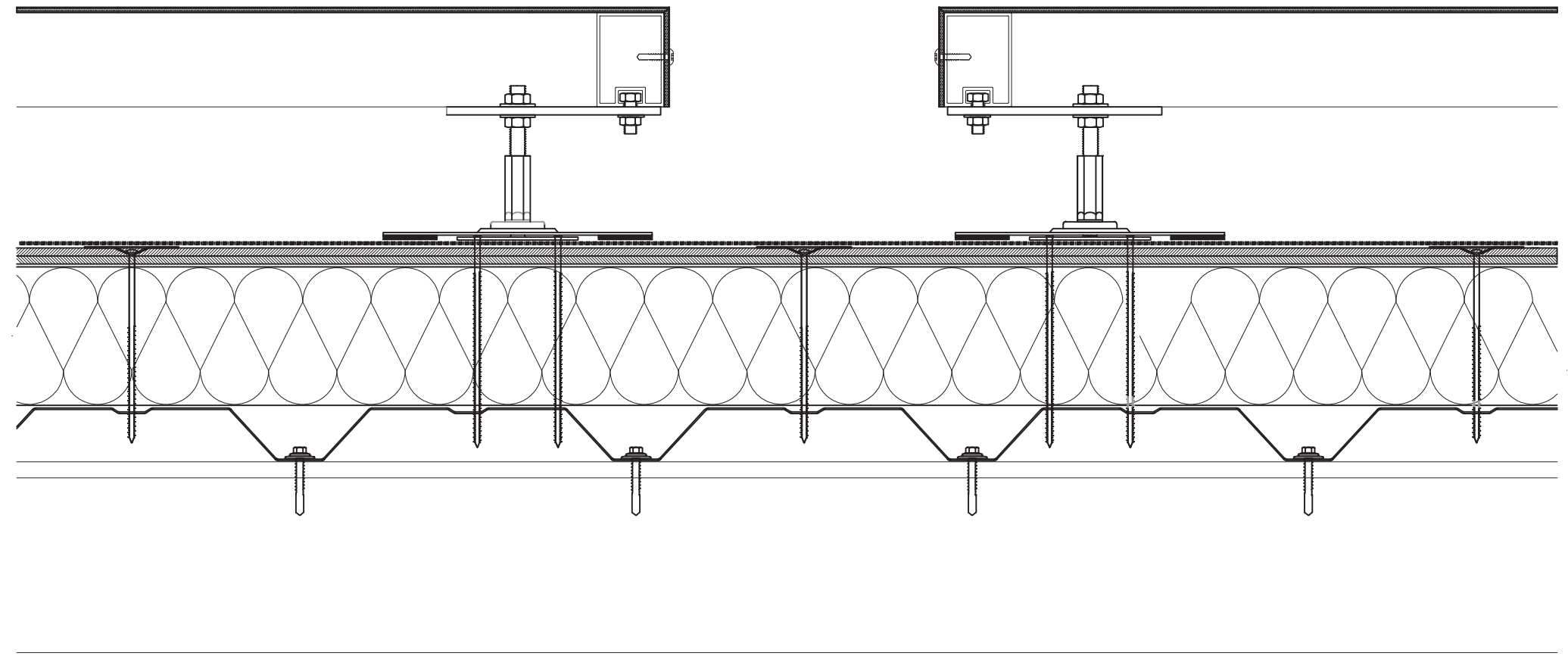
## January 2017

sun	mon	tue	wed	thu	fri	sat	sun	mon	tue	wed	thu	fri	sat	sun	mon	tue	wed	thu	fri	sat	sun	mon	tue											
1	2	3	4	5	6	7	8	9	10	11	12	13	14	15	16	17	18	19	20	21	22	23	24	25	26	27	28	29	30	31				
							wk 1							wk 2							wk 3							wk 4						



# ALUCOBOND®

## Design | Construction ALUCOBOND® Tray Panels Double Trafficable Roof / Wall Special Construction



Vertical Section

All drawings are for illustration only. For design details suitable for your location contact our technical service or an ALUCOBOND® representative nearest to you.

Convention Centre  
Kuala Lumpur | Malaysia

Building Owner : Ministry of International Trade & Industry ( MITI )  
Architect : RSP Architects Sdn Bhd  
Completed : 2016  
Fabricator | Installer : Swissma Building Technologies Sdn Bhd  
Product : ALUCOBOND® plus 4mm  
Surface Finish : PVDF/FEVE coil-coated  
Standard Colour : Brilliant metallic (602)



# ALUCOBOND®



Novotel | Wembley | United Kingdom

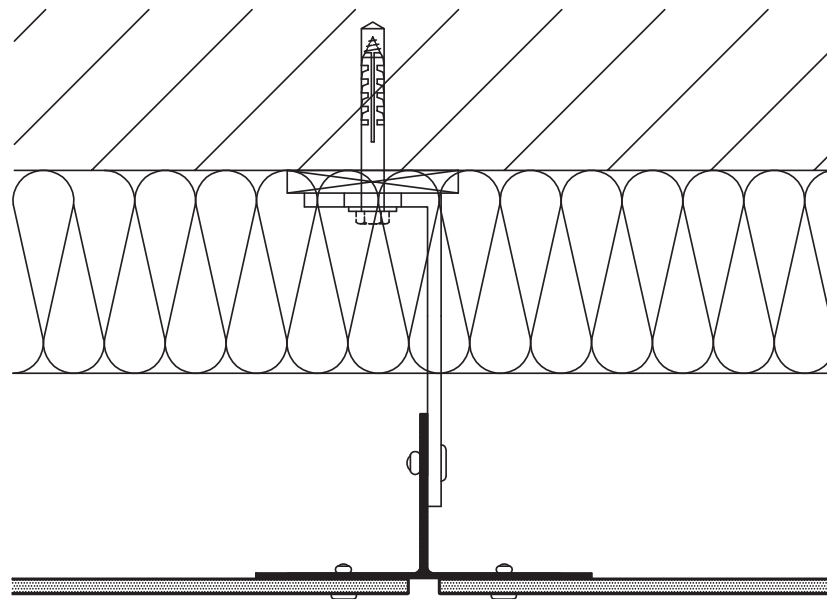
## February 2017

wed	thu	fri	sat	sun	mon	tue	wed	thu	fri	sat	sun	mon	tue	wed	thu	fri	sat	sun	mon	tue	wed	thu	fri	sat	sun	mon	tue
1	2	3	4	5	6	7	8	9	10	11	12	13	14	15	16	17	18	19	20	21	22	23	24	25	26	27	28
wk 5					wk 6					wk 7					wk 8												

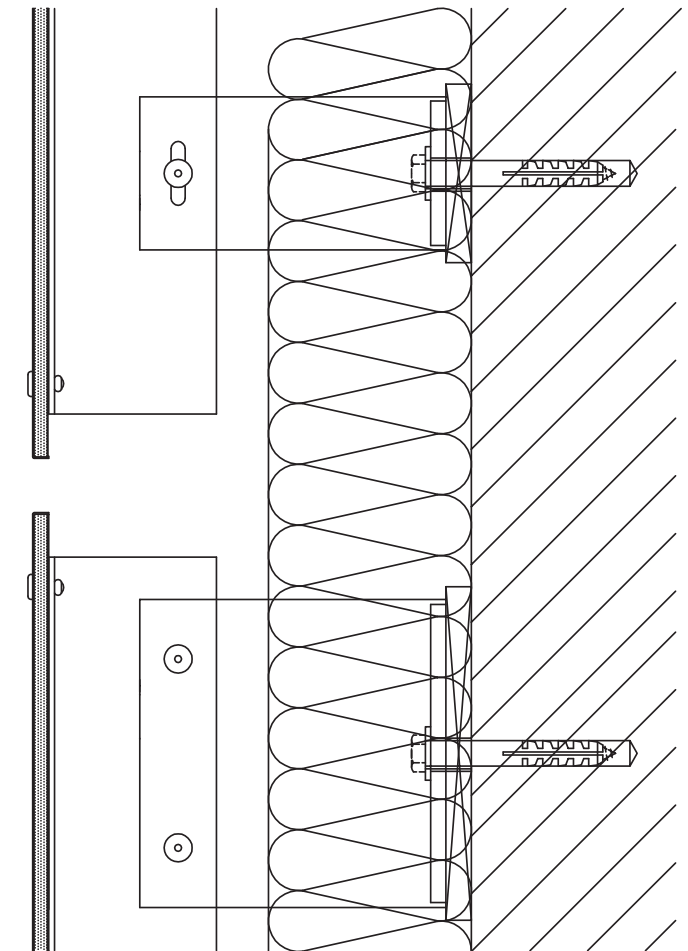


# ALUCOBOND®

## Design | Construction ALUCOBOND® Ecoclad System - Riveted



Horizontal Section



Vertical Section

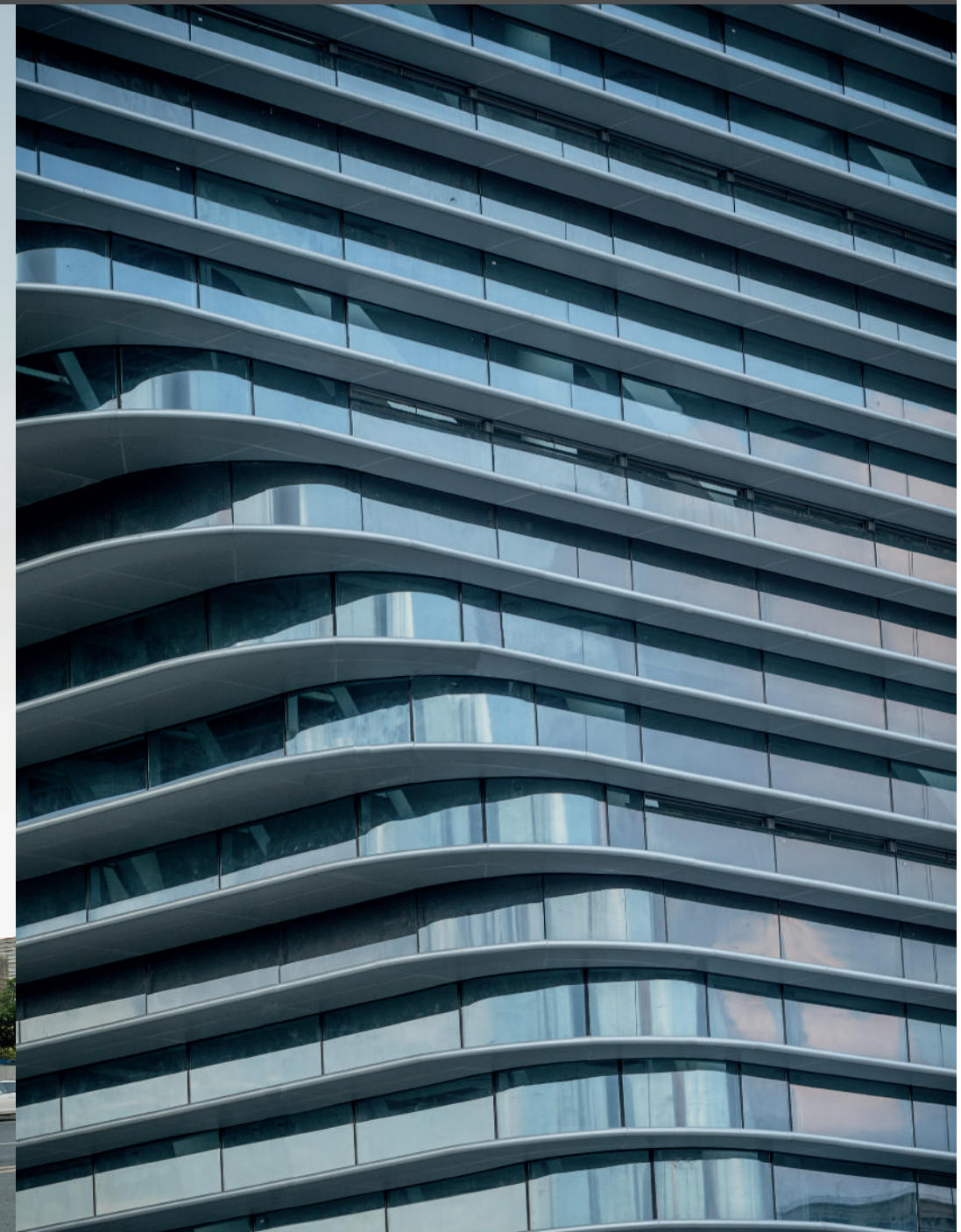
All drawings are for illustration only. For design details suitable for your location contact our technical service or an ALUCOBOND® representative nearest to you.

Hotel  
Wembley | United Kingdom

Building Owner : Pinnacle Developments Ltd  
Architect : HTA Design LLP (Hunt Thompson)  
Completed : 2013  
Fabricator | Installer : Booth Muirie/Harley  
Product : ALUCOBOND® plus 4mm  
Surface Finish : PVDF/FEVE coil-coated  
Standard Colour : Spectra cupral (913)  
Photos : Richard Gooding



# ALUCOBOND®



Hangzhou CECEP | Hangzhou | China

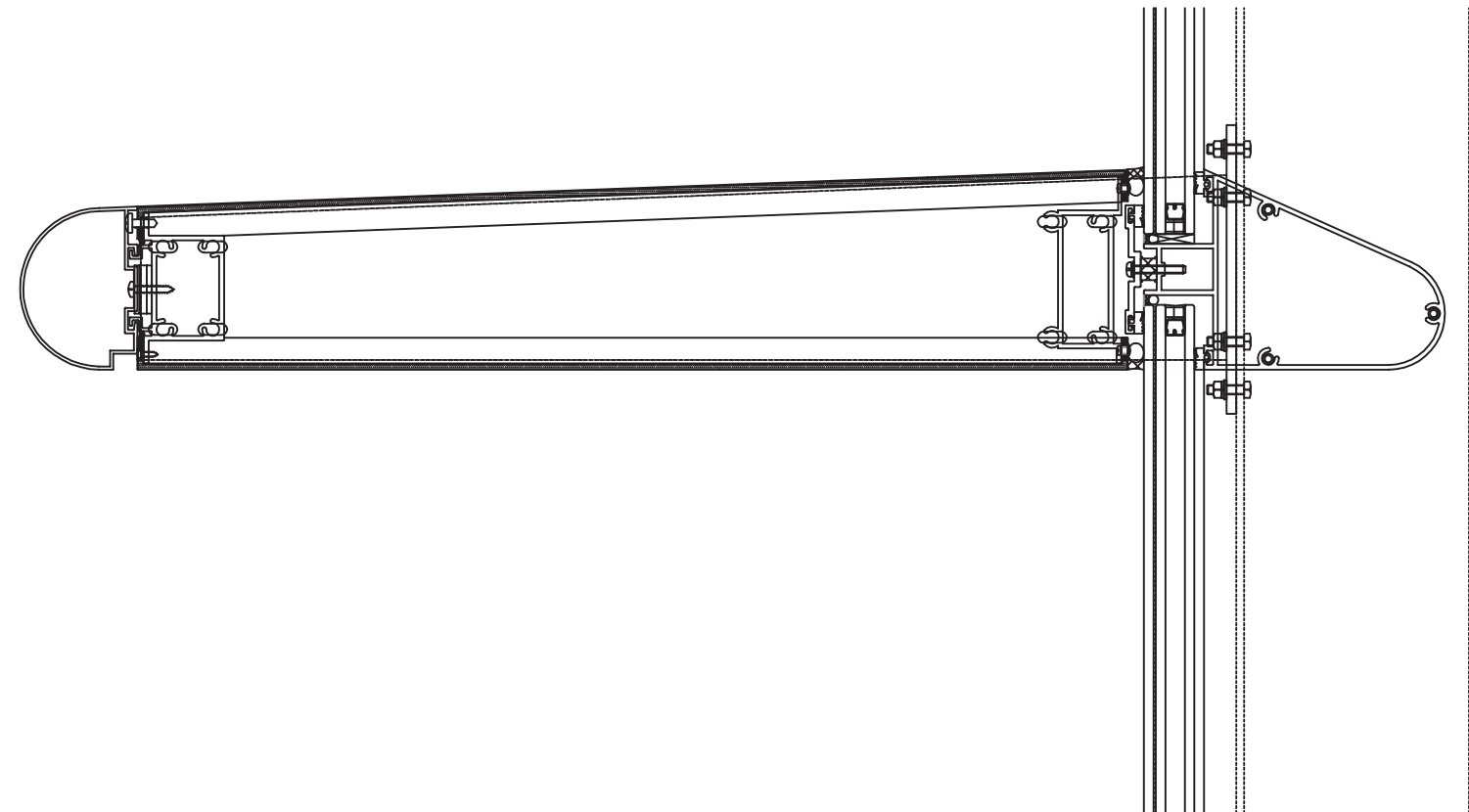
## March 2017

wed	thu	fri	sat	sun	mon	tue	wed	thu	fri	sat	sun	mon	tue	wed	thu	fri	sat	sun	mon	tue	wed	thu	fri	sat	sun	mon	tue	wed	thu	fri
1	2	3	4	<b>5</b>	6	7	8	9	10	11	<b>12</b>	13	14	15	16	17	18	<b>19</b>	20	21	22	23	24	25	<b>26</b>	27	28	29	30	31
wk 9					wk 10					wk 11					wk 12					wk 13										



# ALUCOBOND®

## Design | Construction ALUCOBOND® Horizontal Sun Shading fins Special Construction



Vertical Section

All drawings are for illustration only. For design details suitable for your location contact our technical service or an ALUCOBOND® representative nearest to you.

Office  
Hangzhou | China

Building Owner : CECEP Hangzhou Jiangcunxincun Construction Company  
Architect : Zhejiang Lucheng Architecture  
Completed : 2016  
Fabricator | Installer : Zhejiang Guangju Construction Company  
Product : ALUCOBOND® plus 4mm  
Surface Finish : PVDF/FEVE coil-coated  
Custom Colour : 9792





# ALUCOBOND®



Baldvis SHS Design school | Baldvis | Australia

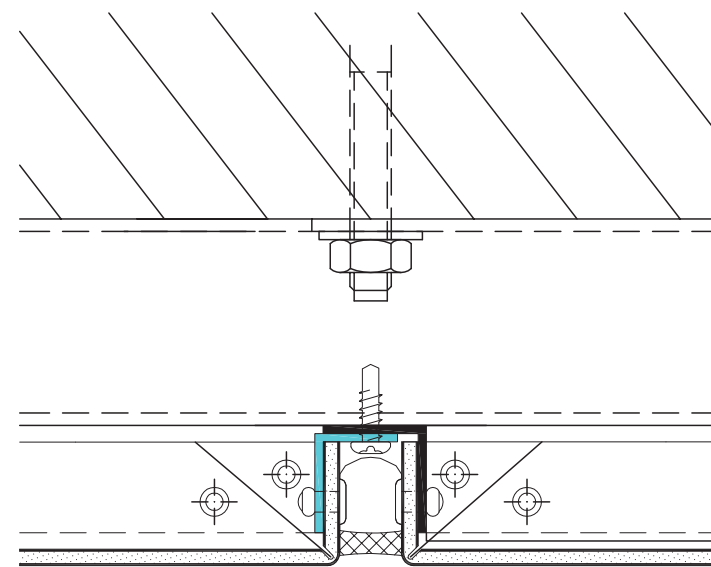
## April 2017

sat	sun	mon	tue	wed	thu	fri	sat	sun	mon	tue	wed	thu	fri	sat	sun	mon	tue	wed	thu	fri	sat	sun	mon	tue	wed	thu	fri	sat	sun					
1	<b>2</b>	3	4	5	6	7	8	<b>9</b>	10	11	12	13	14	15	<b>16</b>	17	18	19	20	21	22	<b>23</b>	24	25	26	27	28	29	<b>30</b>					
							wk 14							wk 15							wk 16							wk 17						

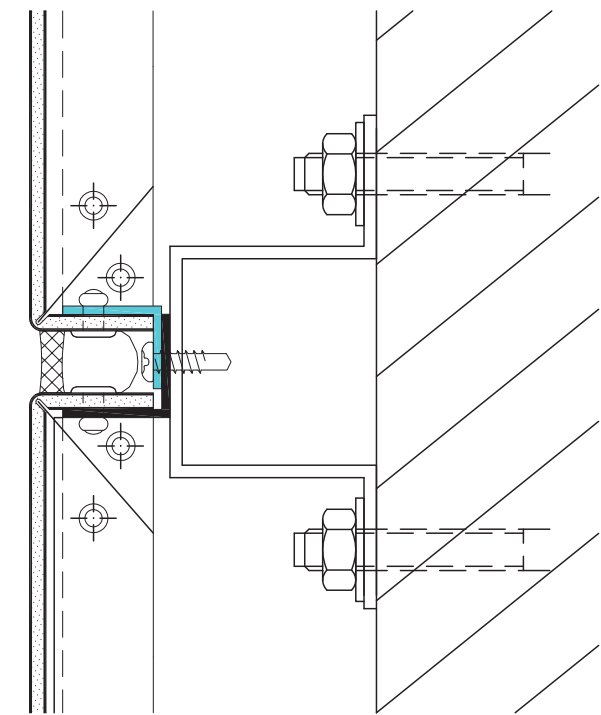


# ALUCOBOND®

## Design | Construction ALUCOBOND® Tray Panels System - Sealed Joint



Horizontal Section



Vertical Section

All drawings are for illustration only. For design details suitable for your location contact our technical service or an ALUCOBOND® representative nearest to you.

Educational Institution  
Baldivis | Australia

Building Owner : Baldivis secondary school  
Architect : JCY Architects and Urban Designers  
Completed : 2015  
Fabricator | Installer : Denmac Pty  
Product : ALUCOBOND® plus 4mm  
Surface Finish : PVDF/FEVE coil-coated  
Standard Colours : Spectra Cupral (913), Spectra Antique (911), Desert Gold (921), Black (326), Anthrazit Grey (105)  
Photos : Rob Ramsay



# ALUCOBOND®



Paras Trinity | New Delhi | India

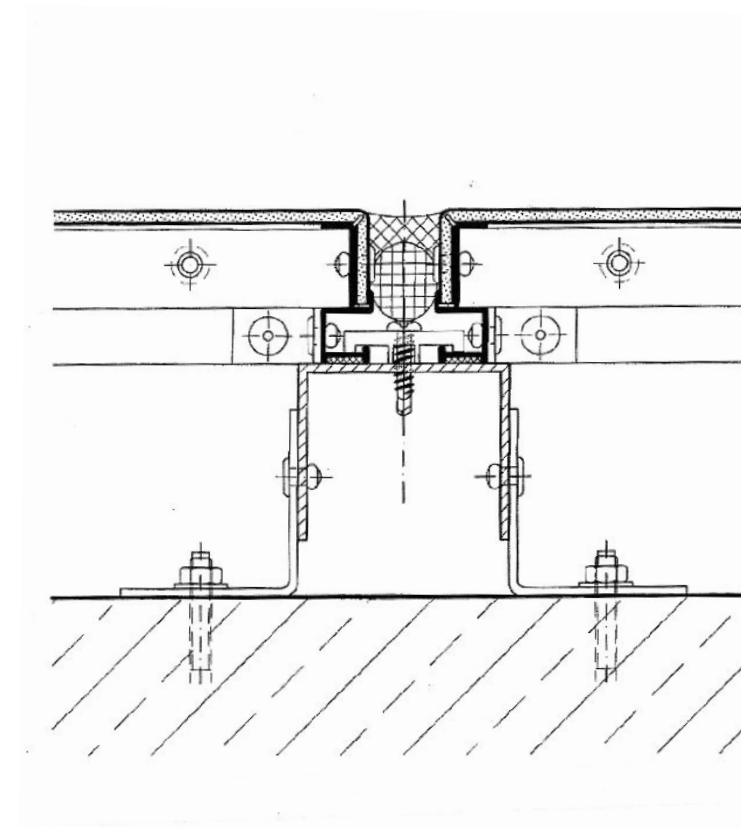
## May 2017

mon	tue	wed	thu	fri	sat	sun	mon	tue	wed	thu	fri	sat	sun	mon	tue	wed	thu	fri	sat	sun	mon	tue	wed							
1	2	3	4	5	6	<b>7</b>	8	9	10	11	12	13	<b>14</b>	15	16	17	18	19	20	<b>21</b>	22	23	24	25	26	27	<b>28</b>	29	30	31
wk 18							wk 19							wk 20							wk 21									

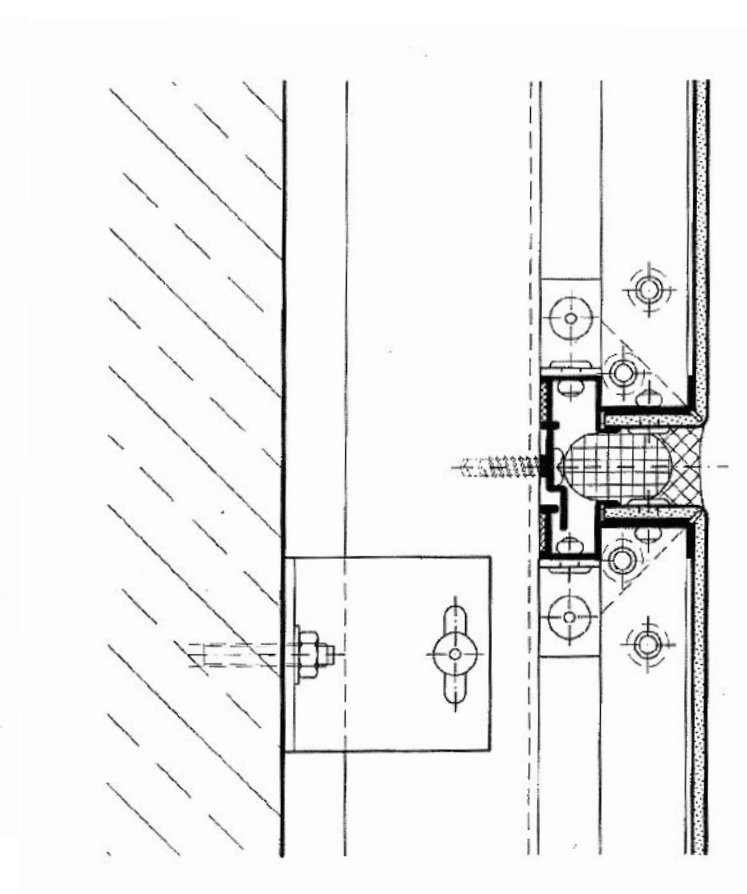


# ALUCOBOND®

## Design | Construction ALUCOBOND® Tray Panels System - Sealed Joint



Horizontal Section



Vertical Section

All drawings are for illustration only. For design details suitable for your location contact our technical service or an ALUCOBOND® representative nearest to you.

Office  
New Delhi | India

Building Owner : Paras Group  
Architect : Morphogenesis  
Completed : 2015  
Fabricator | Installer : Green Facade Solutions Pvt Ltd  
Product : ALUCOBOND® plus 4mm  
Surface Finish : PVDF/FEVE coil-coated  
Special colour : naturAL bronze  
Photos : Aakriti Vision



# ALUCORE®



Marina Barrage shelters | Singapore

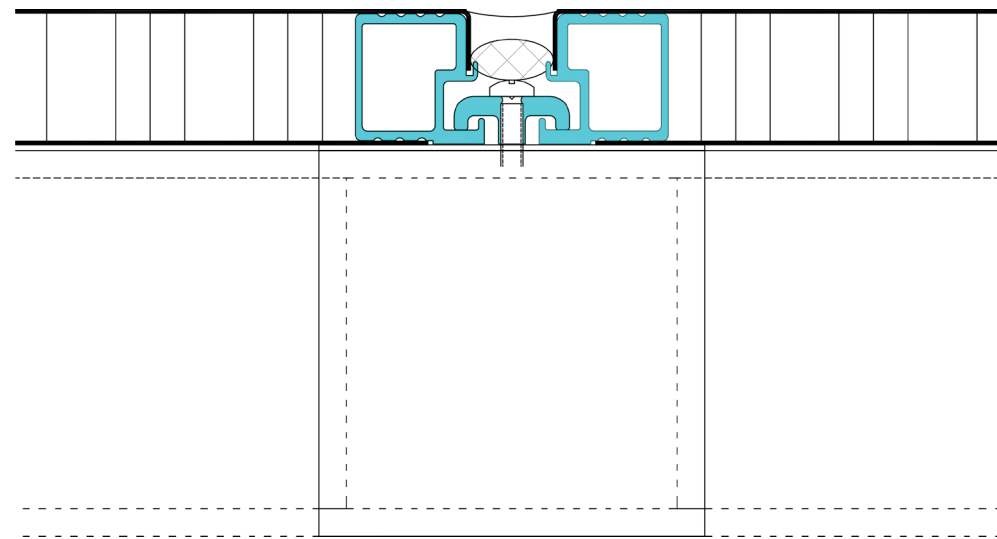
## June 2017

thu	fri	sat	sun	mon	tue	wed	thu	fri	sat	sun	mon	tue	wed	thu	fri	sat	sun	mon	tue	wed	thu	fri	sat	sun	mon	tue	wed	thu	fri
1	2	3	4	5	6	7	8	9	10	11	12	13	14	15	16	17	18	19	20	21	22	23	24	25	26	27	28	29	30
wk 22				wk 23				wk 24				wk 25				wk 26													

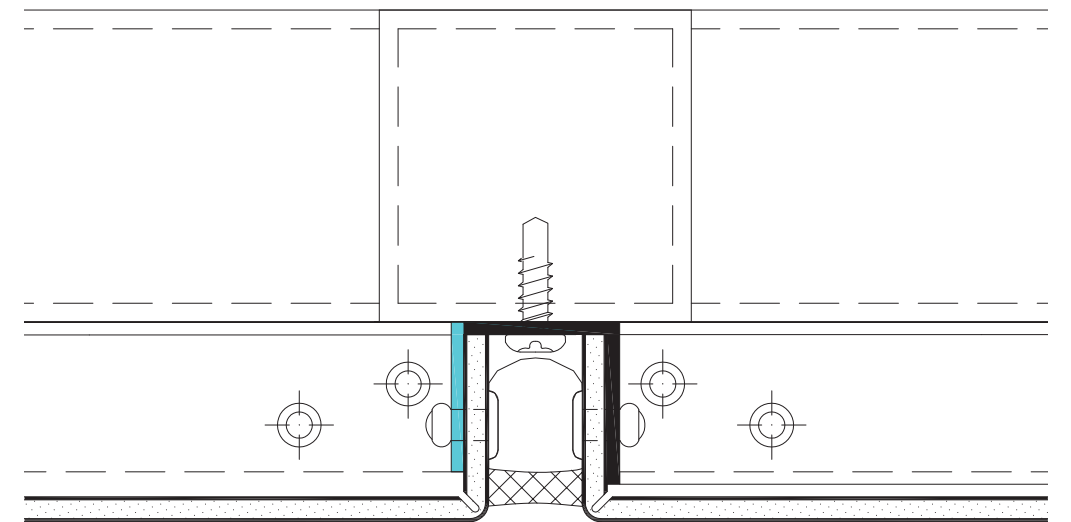


# ALUCORE<sup>®</sup>

## Design | Construction ALUCORE<sup>®</sup> /ALUCOBOND<sup>®</sup> Double Roof/Ceiling Special Construction



Roof



Ceiling

All drawings are for illustration only. For design details suitable for your location contact our technical service or an ALUCOBOND<sup>®</sup> representative nearest to you.

Shelters  
Singapore

Building Owner : PUB  
Architect : Zarch Architect Pte Ltd  
Completed : 2016  
Fabricator | Installer : O Builder Pte Ltd  
Product : ALUCORE<sup>®</sup> Clad 25mm / ALUCOBOND<sup>®</sup> plus 4mm  
Surface Finish : PVDF/FEVE coil-coated  
Standard Colour : Light grey (104)  
Photos : tinseltownproductions



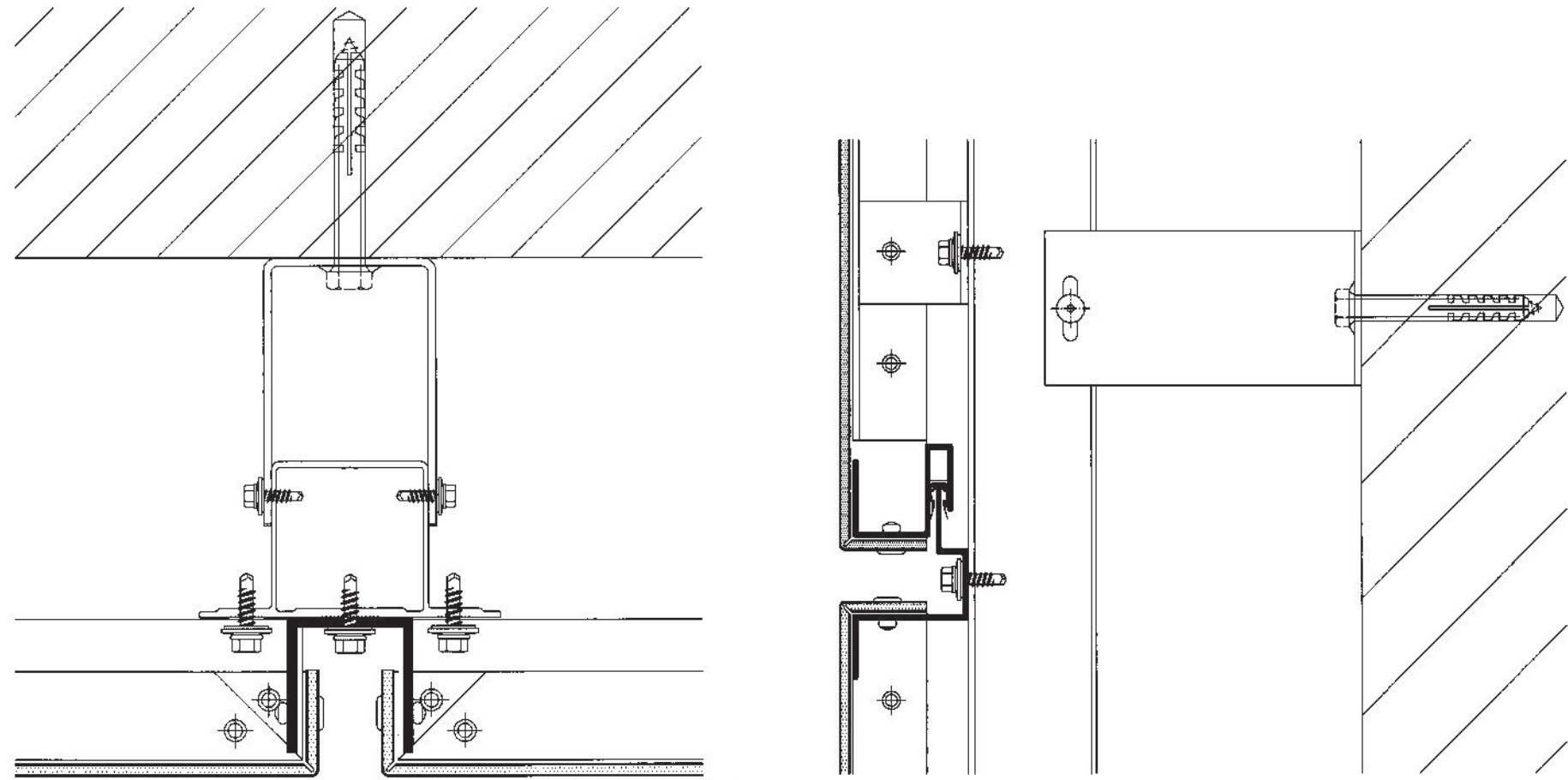






# ALUCOBOND®

## Design | Construction ALUCOBOND® SZ 20 Tray Panels System - Open Joint



Horizontal Section

Vertical Section

All drawings are for illustration only. For design details suitable for your location contact our technical service or an ALUCOBOND® representative nearest to you.

Office  
Accra | Ghana

Building Owner : Trassacco Estates Development Company

Architect : TEDC (Daniel Marshall)

Completed : 2015

Fabricator | Installer : CE Facades Ltd. Ghana

Product : ALUCOBOND® 4mm

Surface Finish : PVDF/FEVE coil-coated

Custom Colours : green, light green, dark green, light yellow, yellow green, dark yellow green, purple red, flame red, orange





# ALUCOBOND®



Sephora | Vancouver | Canada

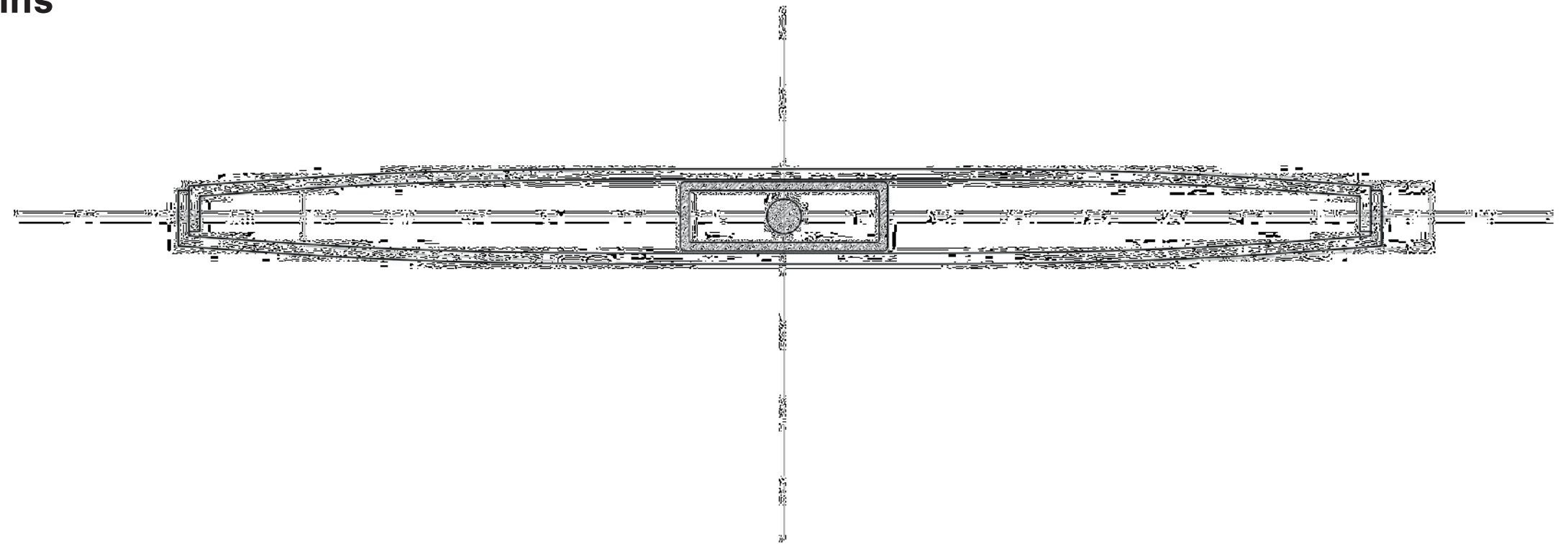
## August 2017

tue	wed	thu	fri	sat	sun	mon	tue	wed	thu	fri	sat	sun	mon	tue	wed	thu	fri	sat	sun	mon	tue	wed	thu							
1	2	3	4	5	6	7	8	9	10	11	12	13	14	15	16	17	18	19	20	21	22	23	24	25	26	27	28	29	30	31
wk 31					wk 32					wk 33					wk 34					wk 35										



# ALUCOBOND®

## Design | Construction ALUCOBOND® Vertical Feature Fins Special Construction



Horizontal Section

All drawings are for illustration only. For design details suitable for your location contact our technical service or an ALUCOBOND® representative nearest to you.

Retail  
Vancouver | Canada

Building Owner : Sephora  
Architect : Francl Architecture  
Completed : 2014  
Fabricator | Installer : Keith Panel Systems Co., Ltd  
Product : ALUCOBOND® 4mm  
Surface Finish : PVDF/FEVE coil-coated  
Standard Colour : naturAL  
Photos : Daniel Lunghi Photography





# ALUCOBOND®



Lumpini 24 | Bangkok | Thailand

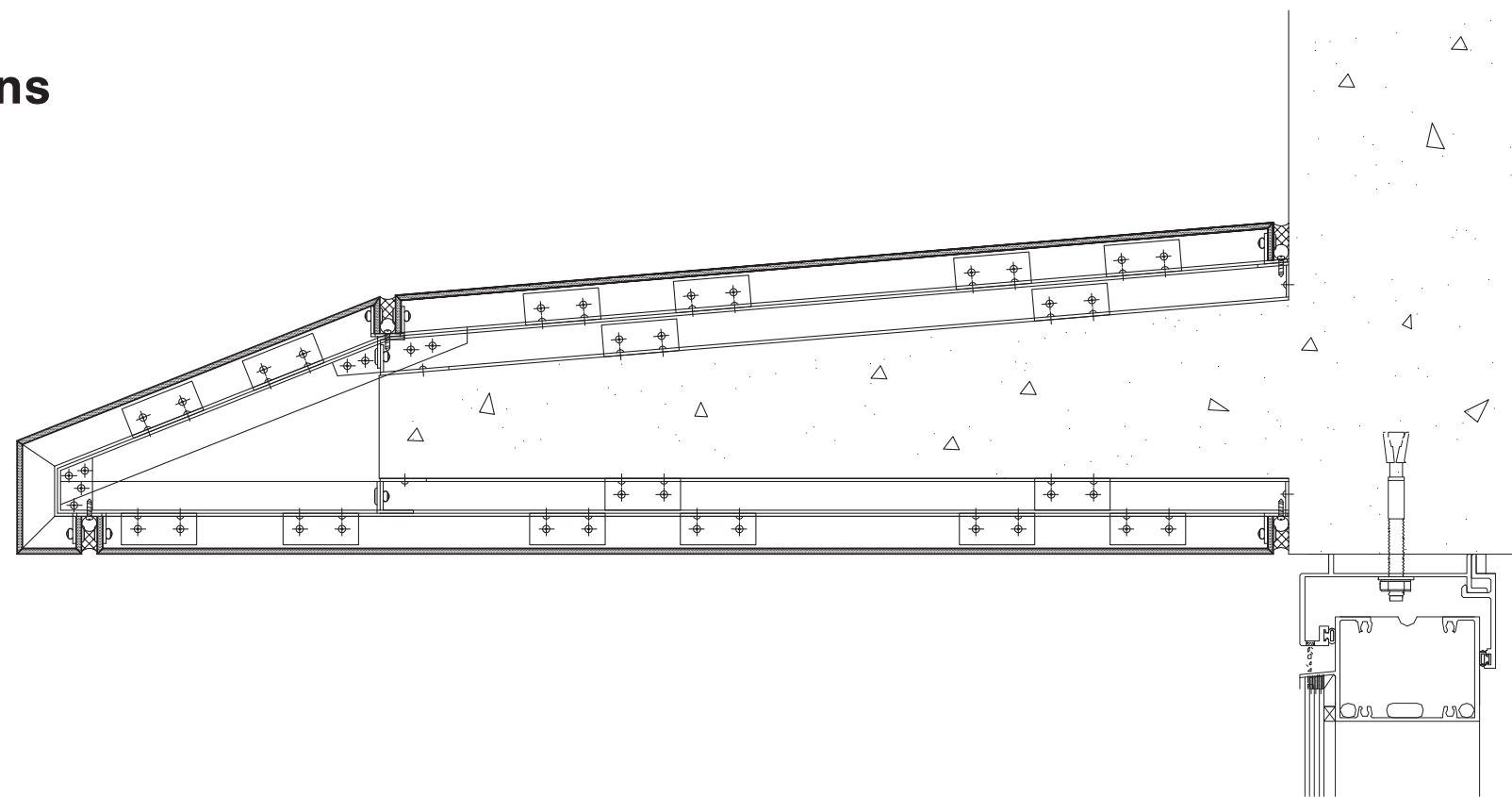
## September 2017

fri	sat	sun	mon	tue	wed	thu	fri	sat	sun	mon	tue	wed	thu	fri	sat	sun	mon	tue	wed	thu	fri	sat	sun	mon	tue	wed	thu	fri	sat
1	2	<b>3</b>	4	5	6	7	8	9	<b>10</b>	11	12	13	14	15	16	<b>17</b>	18	19	20	21	22	23	<b>24</b>	25	26	27	28	29	30
wk 36							wk 37							wk 38							wk 39								



# ALUCOBOND®

## Design | Construction ALUCOBOND® Horizontal Sun Shading Fins Special Construction



Vertical Section

All drawings are for illustration only. For design details suitable for your location contact our technical service or an ALUCOBOND® representative nearest to you.

Residential  
Bangkok | Thailand

Building Owner : L.P.N. Development Public Company Limited  
Architect : Architect 49 Limited  
Completed : 2016  
Fabricator | Installer : Oregon Aluminium Company Ltd  
Product : ALUCOBOND® plus 4mm  
Surface Finish : PVDF/FEVE coil-coated  
Custom Colour : W007  
Photos : Voravute Lapsombune





# ALUCOBOND®



Qingdao Chinese-German eco-park | Qingdao | China

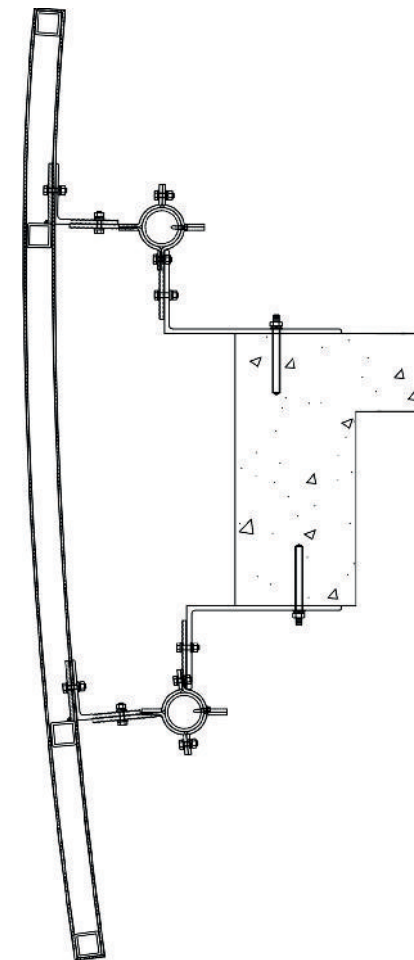
## October 2017

sun	mon	tue	wed	thu	fri	sat	sun	mon	tue	wed	thu	fri	sat	sun	mon	tue	wed	thu	fri	sat	sun	mon	tue							
1	2	3	4	5	6	7	<b>8</b>	9	10	11	12	13	14	<b>15</b>	16	17	18	19	20	21	<b>22</b>	23	24	25	26	27	28	<b>29</b>	30	31
							wk 40					wk 41					wk 42					wk 43								



# ALUCOBOND®

## Design | Construction ALUCOBOND® Tray Panels System - Wall Non-Caulking Joint System



Vertical Section

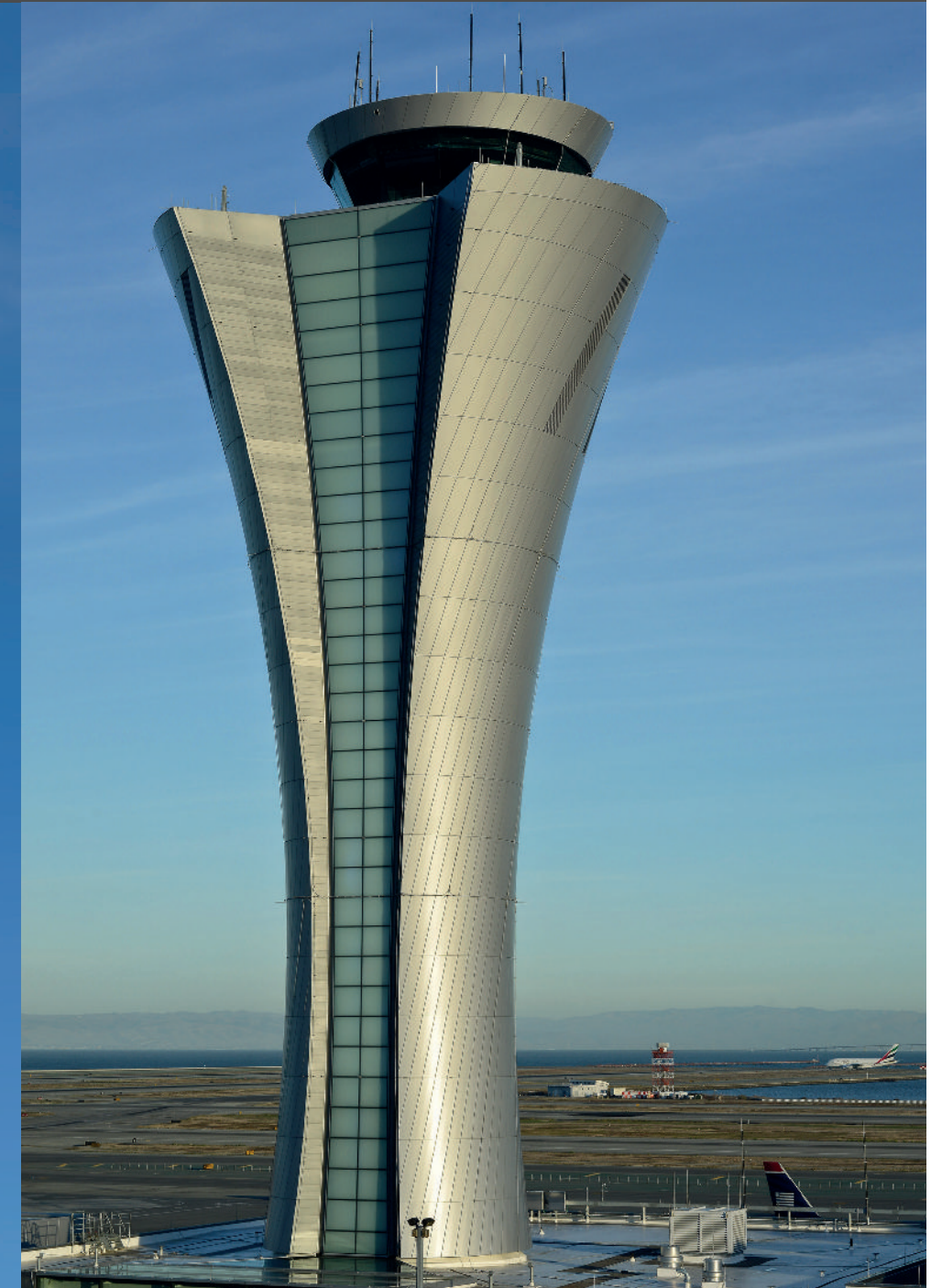
All drawings are for illustration only. For design details suitable for your location contact our technical service or an ALUCOBOND® representative nearest to you.

Office  
Qingdao | China

Building Owner : German-Sino eco park administrative committee  
Architect : Rongen  
Completed : 2016  
Fabricator | Installer : Qingdao Laixi general construction company  
Product : ALUCOBOND® plus 4mm  
Surface Finish : PVDF/FEVE coil-coated  
Standard Colour : Spectra White Gold (919)



# ALUCOBOND®



Air traffic control tower | San Francisco | U.S.A

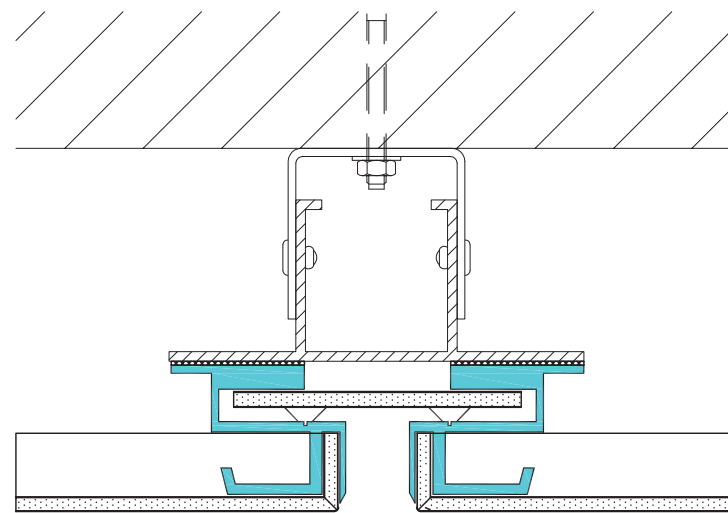
## November 2017

wed	thu	fri	sat	sun	mon	tue	wed	thu	fri	sat	sun	mon	tue	wed	thu	fri	sat	sun	mon	tue	wed	thu	fri	sat	sun	mon	tue	wed	thu
1	2	3	4	5	6	7	8	9	10	11	12	13	14	15	16	17	18	19	20	21	22	23	24	25	26	27	28	29	30
wk 44					wk 45					wk 46					wk 47					wk 48									

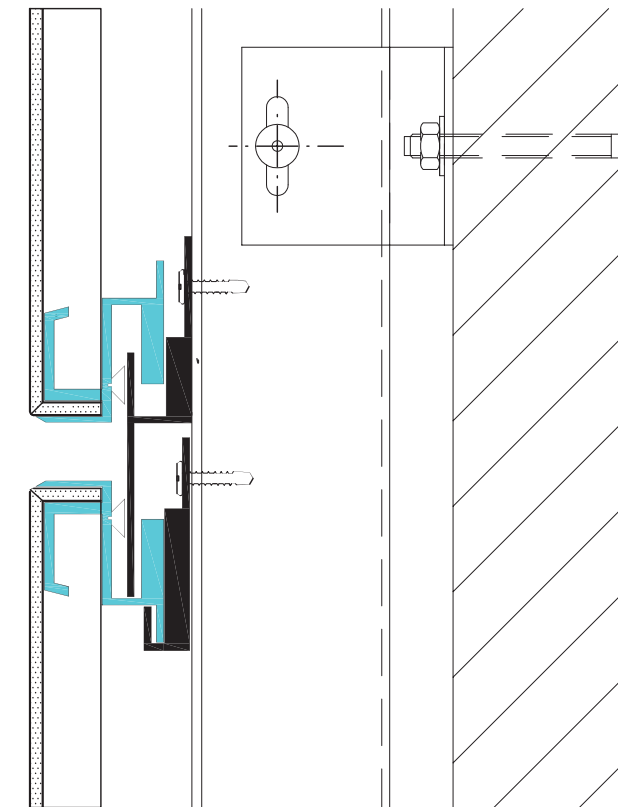


# ALUCOBOND®

## Design | Construction ALUCOBOND® Tray Panels System - Special Construction



Horizontal Section



Vertical Section

All drawings are for illustration only. For design details suitable for your location contact our technical service or an ALUCOBOND® representative nearest to you.

Airport  
San Francisco | U.S.A

Building Owner : Federal Aviation Administration  
Architect : HNTB Corp.  
Completed : 2015  
Fabricator | Installer : Keith Panel Systems Co. Ltd. / Pacific Erectors, Inc.  
Product : ALUCOBOND® plus 4mm  
Surface Finish : PVDF/FEVE coil-coated  
Custom Colour : Custom SFO silver  
Photos : Daniel Lunghi Photography





# ALUCOBOND®



Cairo International Airport Terminal 2 | Cairo | Egypt

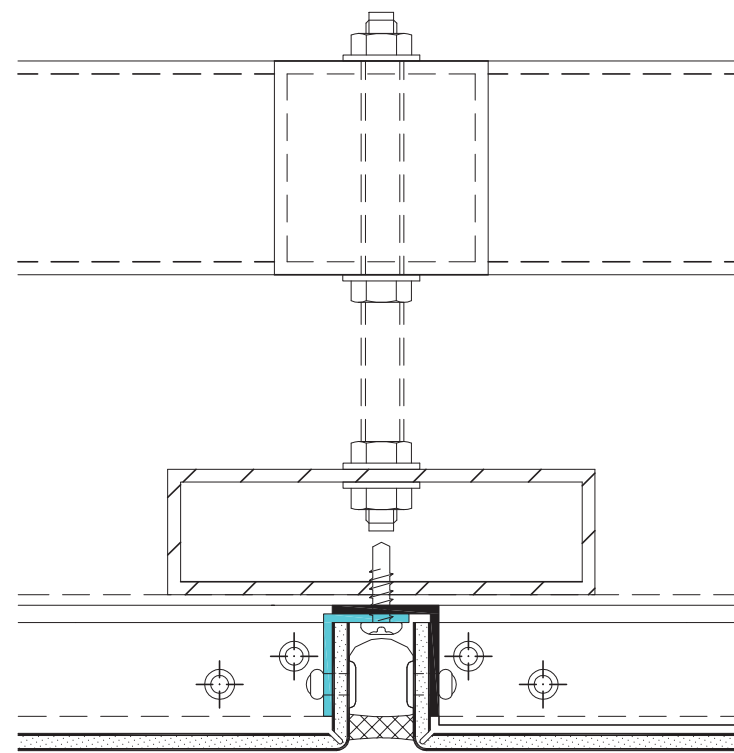
## December 2017

fri	sat	sun	mon	tue	wed	thu	fri	sat	sun	mon	tue	wed	thu	fri	sat	sun	mon	tue	wed	thu	fri	sat	sun	mon	tue	wed	thu	fri	sat	sun				
1	2	<b>3</b>	4	5	6	7	8	9	<b>10</b>	11	12	13	14	15	16	<b>17</b>	18	19	20	21	22	23	<b>24</b>	25	26	27	28	29	30	<b>31</b>				
							wk 49							wk 50							wk 51							wk 52						

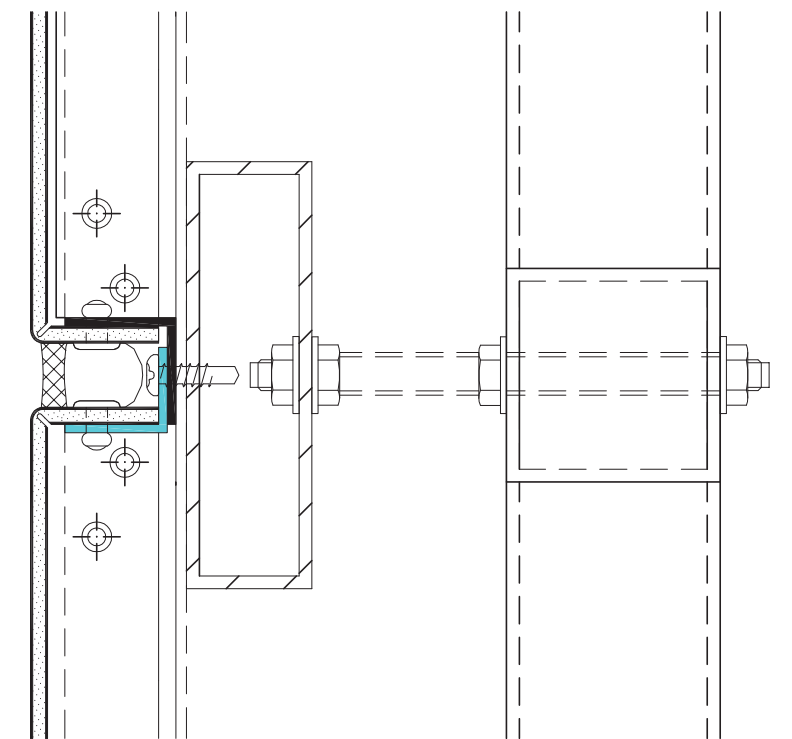


# ALUCOBOND®

## Design | Construction ALUCOBOND® Tray Panels System - Sealed Joint



Horizontal Section



Vertical Section

All drawings are for illustration only. For design details suitable for your location contact our technical service or an ALUCOBOND® representative nearest to you.

Airport  
Cairo | Egypt

Building Owner : Cairo Airport Company  
Architect : Netherlands Airport Consultants  
Completed : 2016  
Fabricator | Installer : KEMET airport supplier & contractors  
Product : ALUCOBOND® 4mm  
Surface Finish : PVDF/FEVE coil-coated  
Special Colours : Champagne metallic (503), Bronze metallic (504), Grey metallic(502), Pure white 10 (100)  
Photos : A. Tito