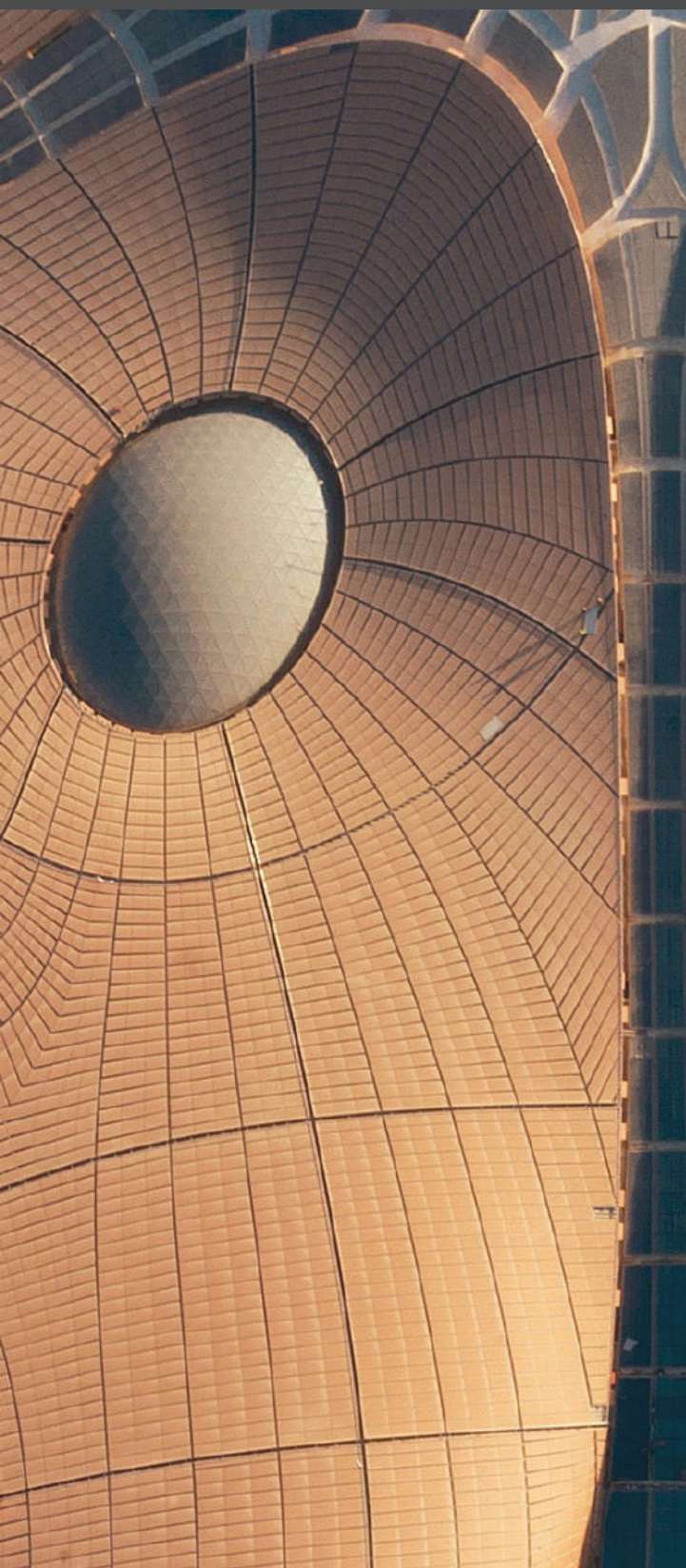
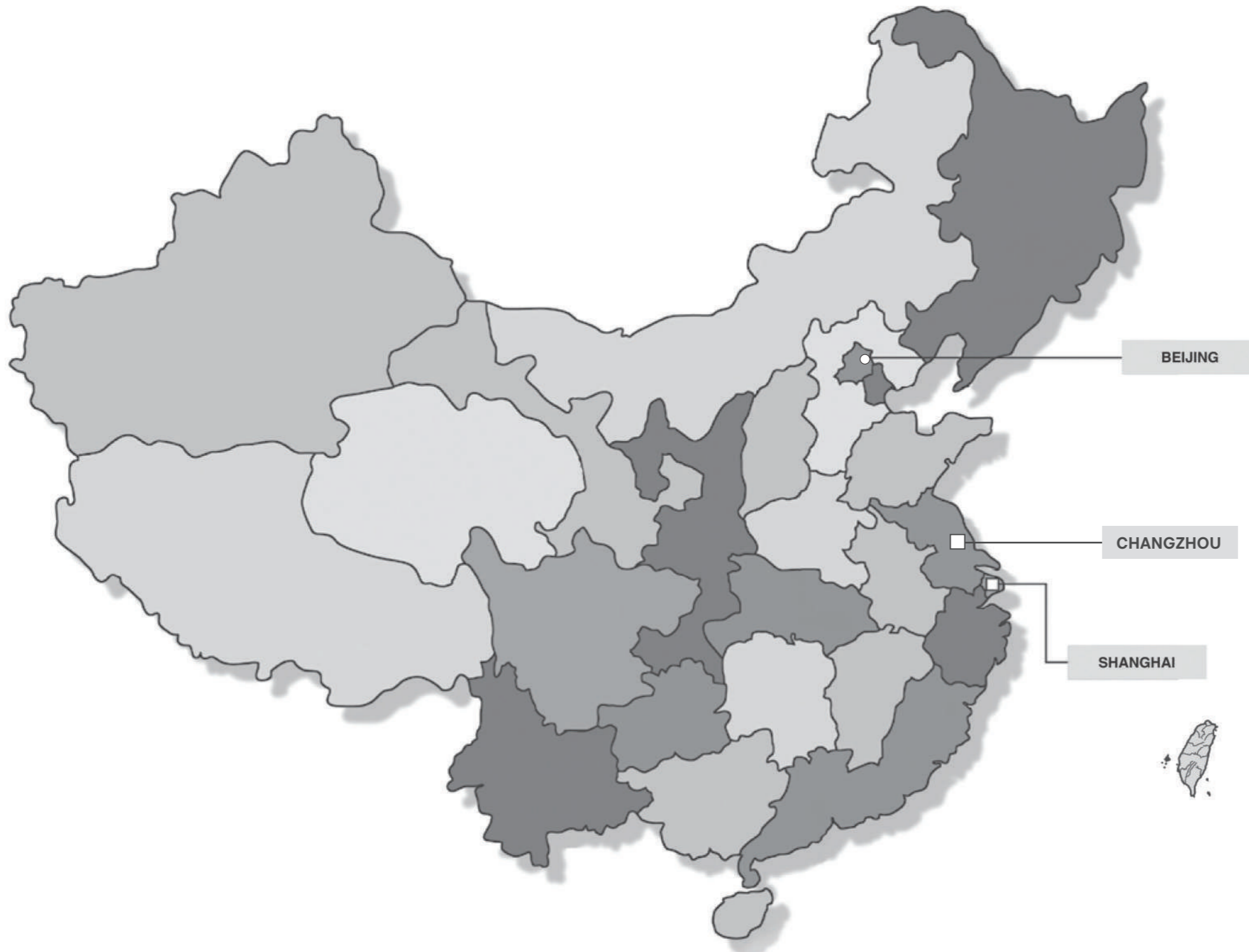


ALUCOBOND®
ALUCORE® clad

2020



ALUCOBOND® A2 / plus / PE ALUCORE® / ALUCORE® clad



- ◆ - Alucobond Head Office
- - Alucobond Plant
- - Alucobond Sales Offices

3A COMPOSITES (CHINA) LTD.

Room 1902-1903
Feng Sheng Chuang Jian Building
Mengzi road No. 763
Huangpu Shanghai
China
Telephone: 021 5813 5353
Fax: 021 5813 5333
Email: alucobond.china@3acomposites.com
www.alucobond.com.cn

思瑞安复合材料(中国)有限公司

上海市
蒙自路763号
丰盛创建大厦
1902-1903室
电话: 021 6315 8550
传真: 021 6315 8560
电邮: alucobond.china@3acomposites.com
www.alucobond.com.cn

ALUCOBOND COMPOSITES (JIANGSU) LTD.

10 South Hehuan Road
Zhonglou, Changzhou 213023, China
Telephone: 0519 8166 5766
Fax: 0519 8166 5999

阿鲁克邦复合材料(江苏)有限公司

中国江苏常州钟楼区
合欢南路10号213023
电话: 0519 8166 5766
传真: 0519 8166 5799

SALES OFFICE IN BEIJING:

思瑞安复合材料(中国)有限公司 北京办事处
北京市朝阳区何各庄87号院
邮编: 100010
电话: 010 6552 6755
传真: 010 6552 7055

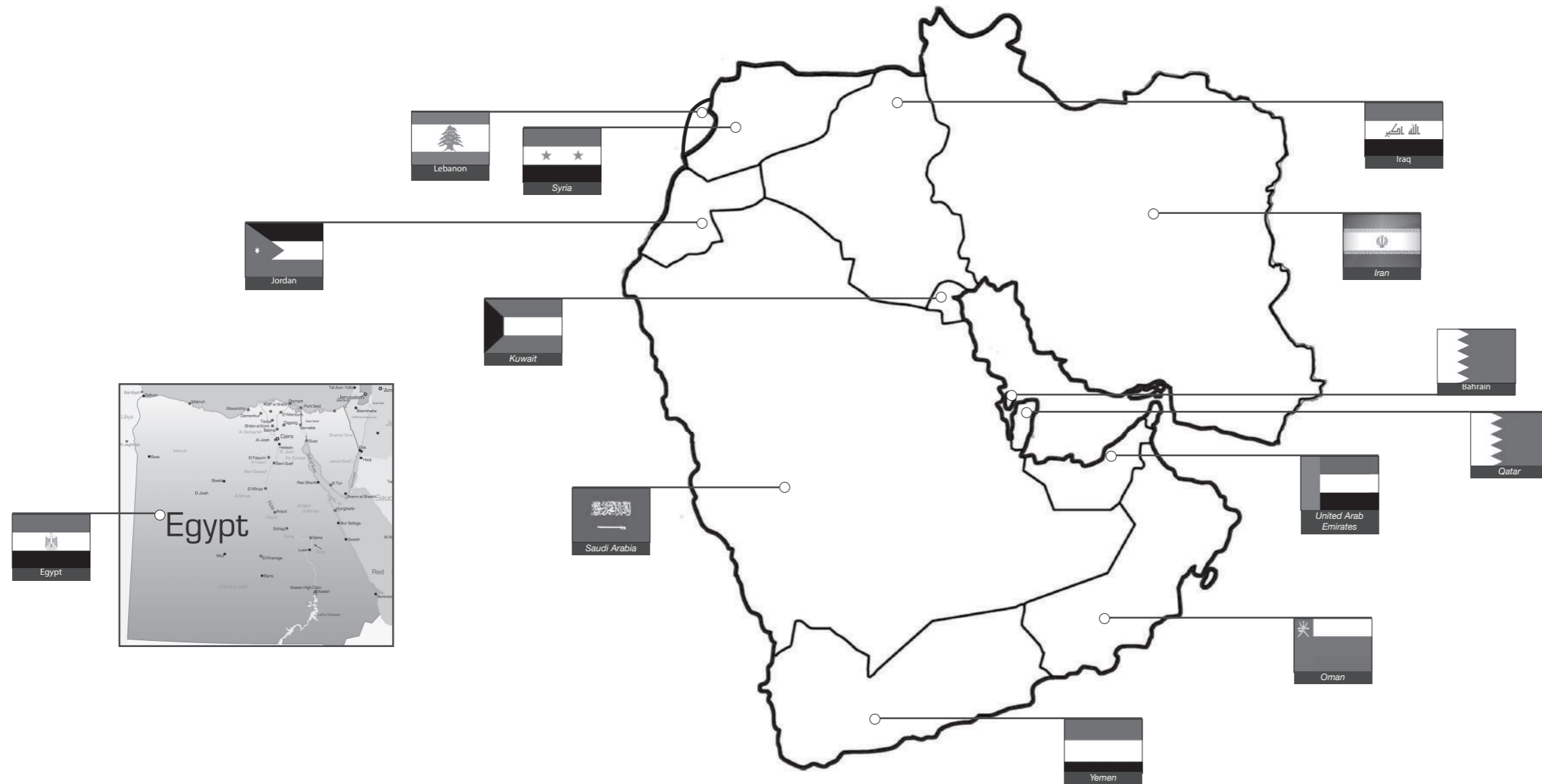
Beijing. 3A Composites (China) Ltd.

No.87 Hegezhuang Chaoyang District Beijing
100103 Beijing.
Telephone: 010 6552 6755
Fax: 010 6552 7055

For more information, please contact us.
如有需求, 敬请联络

ALUCOBOND® A2 / plus / PE

ALUCORE® / ALUCORE® clad



MIDDLE EAST SUPPORT CENTRE:

3A COMPOSITES MIDDLE EAST (BRANCH)
 Almas Tower, JLT
 P.O. Box: 343522
 Dubai
 United Arab Emirates
 Mobile: +971 58 535 1721
 Email: Basel.massis@3acomposites.com
www.alucobond.com

FAR EAST SUPPORT CENTRE:

ALUCOBOND (FAR EAST) PTE LTD
 6 Shenton Way #40-05
 OUE Downtown 1
 Singapore 068809
 Tel: (65) 6303 9750
 Fax: (65) 6303 9751
 Email: sales@alucobond.com.sg
www.alucobond.com.sg

MANUFACTURER:

3A COMPOSITES GMBH
 Alusingenplatz 1
 78224 Singen/Germany
 Telephone: (49) 7731 941 2347
 Telfax: (49) 7731 941 2845
 Email: info.eu@alucobond.com
www.alucobond.com

MANUFACTURER:

3A COMPOSITES (CHINA) LTD.
 Room 1902-1903
 Feng Sheng Chuang Jian Building
 Mengzi road No. 763
 Huangpu Shanghai
 China
 Telephone: 021 5813 5353
 Fax: 021 5813 5333
 Email: alucobond.china@3acomposites.com
www.alucobond.com.cn

MANUFACTURER:

3A COMPOSITES INDIA PVT. LTD.
 Unit 852, 5th Floor, Solitaire Coperate
 Park, Andheri (East) Mumbai 400 093
 Telephone: (91) 22 4256 4500
 Fax: (91) 22 4256 4545
 Email: alucobond.india@3acomposites.com
www.alucobond.in

ALUCOBOND® PLUS



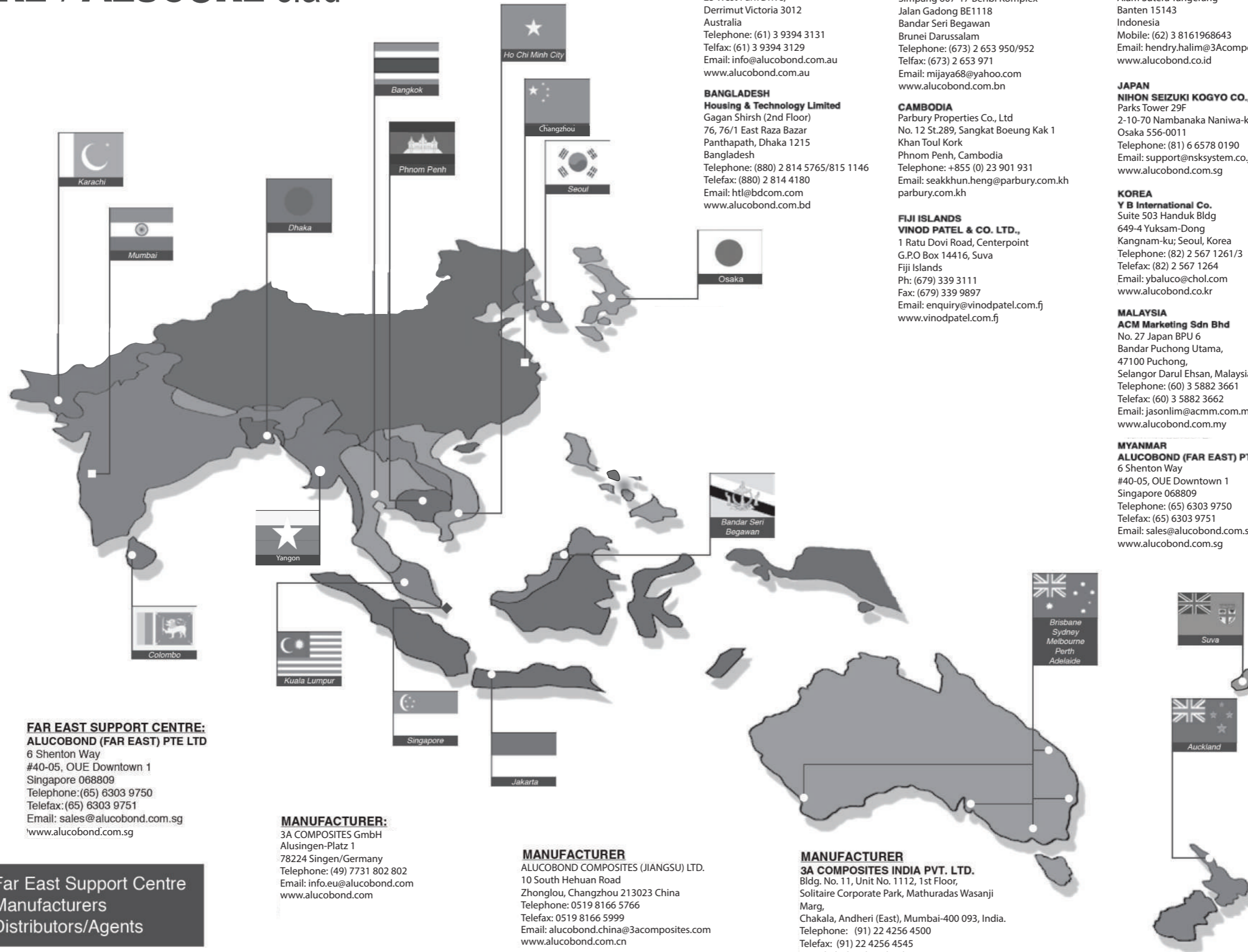
Manufacturing, Technical Service & Customer Relations

3A Composite USA
 208 W. 5th Street
 Benton, KY 42025
 800-626-3365
 270-527-4200
 270-527-1552 FAX

Davidson, NC Headquarters

3A Composite USA
 721 Jetton Street, Suite 321
 Davidson, NC 28036
 Nick Scheib
 VP of Architectural Sales
 800-626-3365
 Info.usa@3acomposites.com

ALUCOBOND® A2 / plus / PE ALUCORE® / ALUCORE® clad



DISTRIBUTORS/AGENTS:

AUSTRALIA
Alucobond Architectural
A Division of Halifax Vogel Pty Limited
25 West Park Drive,
Derrimut Victoria 3012
Australia
Telephone: (61) 3 9394 3131
Telfax: (61) 3 9394 3129
Email: info@alucobond.com.au
www.alucobond.com.au

BANGLADESH
Housing & Technology Limited
Gagan Shirsh (2nd Floor)
76, 76/1 East Raza Bazar
Panthapath, Dhaka 1215
Bangladesh
Telephone: (880) 2 814 5765/815 1146
Telfax: (880) 2 814 4180
Email: htl@bdcom.com
www.alucobond.com.bd

BRUNEI
Maju Jaya Sdn Bhd
Unit 5, Ground Floor
Simpang 607-17 Beribi Komplex
Jalan Gadong BE1118
Bandar Seri Begawan
Brunei Darussalam
Telephone: (673) 2 653 950/952
Telfax: (673) 2 653 971
Email: mijaya68@yahoo.com
www.alucobond.com.bn

CAMBODIA
Parbury Properties Co., Ltd
No. 12 St.289, Sangkat Boeung Kak 1
Khan Toul Kork
Phnom Penh, Cambodia
Telephone: +855 (0) 23 901 931
Email: seakkhun.heng@parbury.com.kh
parbury.com.kh

FIJI ISLANDS
VINOD PATEL & CO. LTD.,
1 Ratu Dovi Road, Centerpoint
G.P.O Box 14416, Suva
Fiji Islands
Ph: (679) 339 3111
Fax: (679) 339 9897
Email: enquiry@vinodpatel.com.fj
www.vinodpatel.com.fj

INDONESIA
PT Alucobond Far East Indonesia
Jl. Jalur Sutera Timur Kav 7A, No.6
Alam Sutera Tangerang
Banten 15143
Indonesia
Mobile: (62) 3 8161968643
Email: hendry.halim@3Acomposites.com
www.alucobond.co.id

JAPAN
NIHON SEIZUKI KOGYO CO., LTD
Parks Tower 29F
2-10-70 Nambanaka Naniwa-ku
Osaka 556-0011
Telephone: (81) 6 6578 0190
Email: support@nksystem.co.jp
www.alucobond.com.sg

KOREA
Y B International Co.
Suite 503 Handuk Bldg
649-4 Yuksam-Dong
Kangnam-ku; Seoul, Korea
Telephone: (82) 2 567 1261/3
Telfax: (82) 2 567 1264
Email: ybaluco@chol.com
www.alucobond.co.kr

MALAYSIA
ACM Marketing Sdn Bhd
No. 27 Japan BPU 6
Bandar Puchong Utama,
47100 Puchong,
Selangor Darul Ehsan, Malaysia
Telephone: (60) 3 5882 3661
Telfax: (60) 3 5882 3662
Email: jasonlim@acmm.com.my
www.alucobond.com.my

MYANMAR
ALUCOBOND (FAR EAST) PTE LTD
6 Shenton Way
#40-05, OUE Downtown 1
Singapore 068809
Telephone: (65) 6303 9750
Telfax: (65) 6303 9751
Email: sales@alucobond.com.sg
www.alucobond.com.sg

NEW ZEALAND
SPS Roofing and Building
220 Bush Road, Rosedale
Rosedale, Auckland 0639
New Zealand
Telephone: (64) 09 415 2669
Email: info@spsbuilding.co.nz
www.spsbuilding.co.nz

PAKISTAN
Pakistan Safety Glass Works Pvt Ltd
Plot 58, Sector 28
Korangi Industrial Area
Karachi 75180, Pakistan
Telephone: (92) 21 504 2275
Telfax: (92) 21 504 2276/506 5773
Email: info@pakistansafetyglass.com
www.alucobond.pk

SINGAPORE
ALUCOBOND (FAR EAST) PTE LTD
6 Shenton Way
#40-05, OUE Downtown 1
Singapore 068809
Telephone: (65) 6303 9750
Telfax: (65) 6303 9751
Email: sales@alucobond.com.sg
www.alucobond.com.sg

SRI LANKA
JC Enterprises
637/2 Sirimavo Bandaranayake
Mawatha, Colombo 14
Sri Lanka
Telephone: (94) 11 238 5404/07
Telfax: (94) 11 238 5403
Email: jeykumar@sltnet.lk

THAILAND
Gecons (Thailand) Co.,Ltd
589/32-33, 8th Floor,
Central City Tower 1
Bangna-Trad Rd., Bangna
Bangkok 10260
Thailand
Telephone: (66) 2745 7181
Telfax: (66) 2745 7188
Email: thanapong@geconthailand.com
www.alucobond.co.th

VIETNAM
THE CAPITAL INDUSTRIAL TRADING JOINT
STOCK COMPANY (THUDOGROUP)
Lot F, Tan Hong – Hoan Son Industrial Zone,
Tien Du District,
Bac Ninh Province,
Vietnam
Telephone: (84) 90 410 2200
Email: info@thudogroup.vn
www.alucobond.com.sg

FAR EAST SUPPORT CENTRE:
ALUCOBOND (FAR EAST) PTE LTD
6 Shenton Way
#40-05, OUE Downtown 1
Singapore 068809
Telephone: (65) 6303 9750
Telfax: (65) 6303 9751
Email: sales@alucobond.com.sg
www.alucobond.com.sg

MANUFACTURER:
3A COMPOSITES GmbH
Alusingen-Platz 1
78224 Singen/Germany
Telephone: (49) 7731 802 802
Email: info.eu@alucobond.com
www.alucobond.com

MANUFACTURER
ALUCOBOND COMPOSITES (JIANGSU) LTD.
10 South Hehuan Road
Zhonglou, Changzhou 213023 China
Telephone: 0519 8166 5766
Telfax: 0519 8166 5999
Email: alucobond.china@3acomposites.com
www.alucobond.com.cn

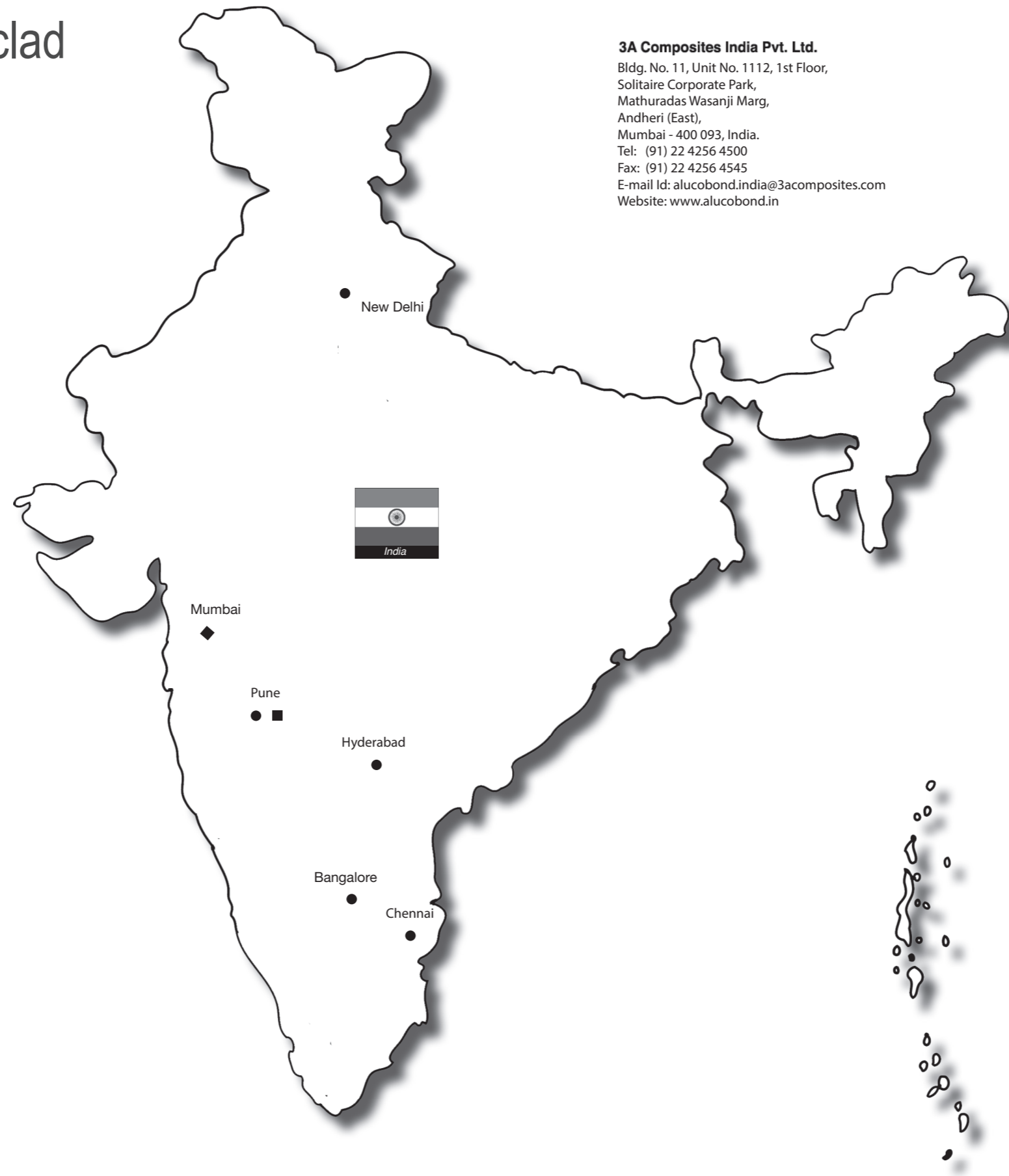
MANUFACTURER
3A COMPOSITES INDIA PVT. LTD.
Bldg. No. 11, Unit No. 1112, 1st Floor,
Solitaire Corporate Park, Mathuradas Wasanji
Marg,
Chakala, Andheri (East), Mumbai-400 093, India.
Telephone: (91) 22 4256 4500
Telfax: (91) 22 4256 4545
E-mail Id: alucobond.india@3acomposites.com
Website: www.alucobond.in | www.3acomposites.com

- ◆ - Alucobond Far East Support Centre
- - Alucobond Manufacturers
- - Alucobond Distributors/Agents

ALUCOBOND® A2 / plus / PE ALUCORE® / ALUCORE® clad

3A Composites India Pvt. Ltd.

Bldg. No. 11, Unit No. 1112, 1st Floor,
Solitaire Corporate Park,
Mathuradas Wasanji Marg,
Andheri (East),
Mumbai - 400 093, India.
Tel: (91) 22 4256 4500
Fax: (91) 22 4256 4545
E-mail Id: alucobond.india@3acomposites.com
Website: www.alucobond.in



- ◆ - Alucobond Head Office
- - Alucobond Plant
- - Alucobond Sales Offices



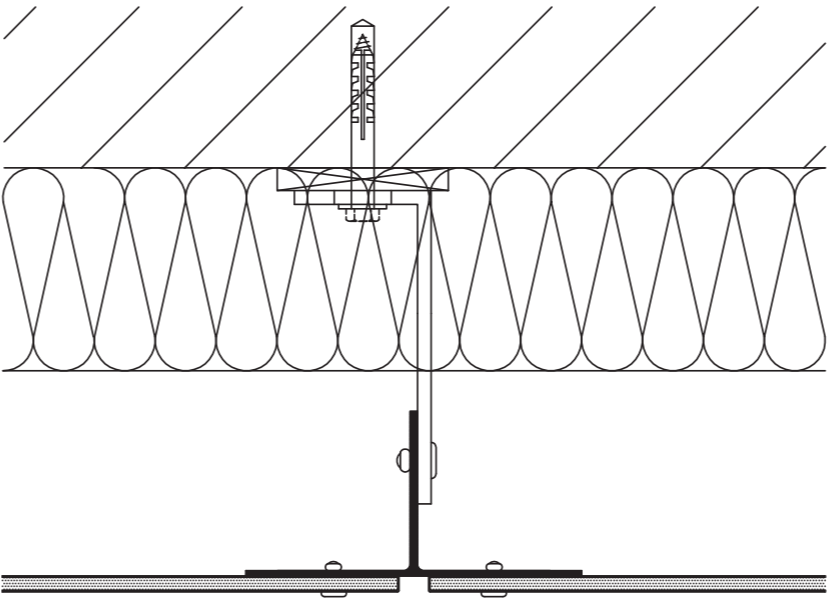
Banyan Tree Residences Riverside | Bangkok | Thailand

January 2020

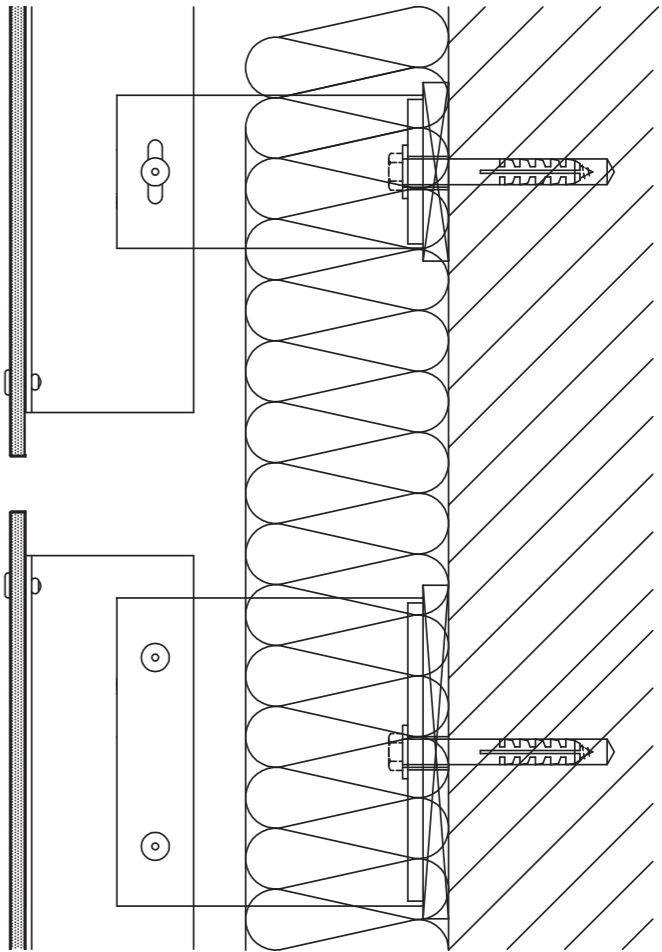
wed	thu	fri	sat	sun	mon	tue	wed	thu	fri	sat	sun	mon	tue	wed	thu	fri	sat	sun	mon	tue	wed	thu	fri							
1	2	3	4	5	6	7	8	9	10	11	12	13	14	15	16	17	18	19	20	21	22	23	24	25	26	27	28	29	30	31
wk 1				wk 2				wk 3				wk 4				wk 5														

ALUCOBOND®

Design | Construction ALUCOBOND® Ecoclad System - Riveted



Horizontal Section



Vertical Section

All drawings are for illustration only. For design details suitable for your location contact our technical service or an ALUCOBOND® representative nearest to you.

Banyan Tree Residences Riverside
Bangkok | Thailand

Building Owner : Nirvana Daii PLC. & Nirvana River Co., Ltd.
Architect : SCDA Architects codesign with CAPA
Completed : 2018
Fabricator | Installer : Oregon Aluminium Co., Ltd.
Product : ALUCOBOND® PLUS 4mm (M2M Perforated)
Surface Finish : PVDF / FEVE coil-coated
Colour : Sunrise Silver Metallic 600, Champagne Metallic 503
Photos : Panoramic Studio





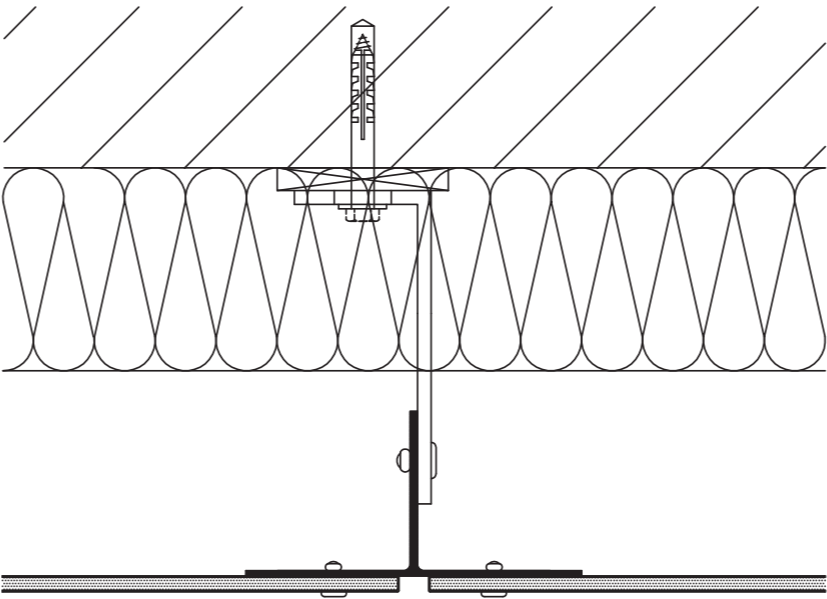
Great Northern Way Pavilion | Vancouver, BC | Canada

February 2020

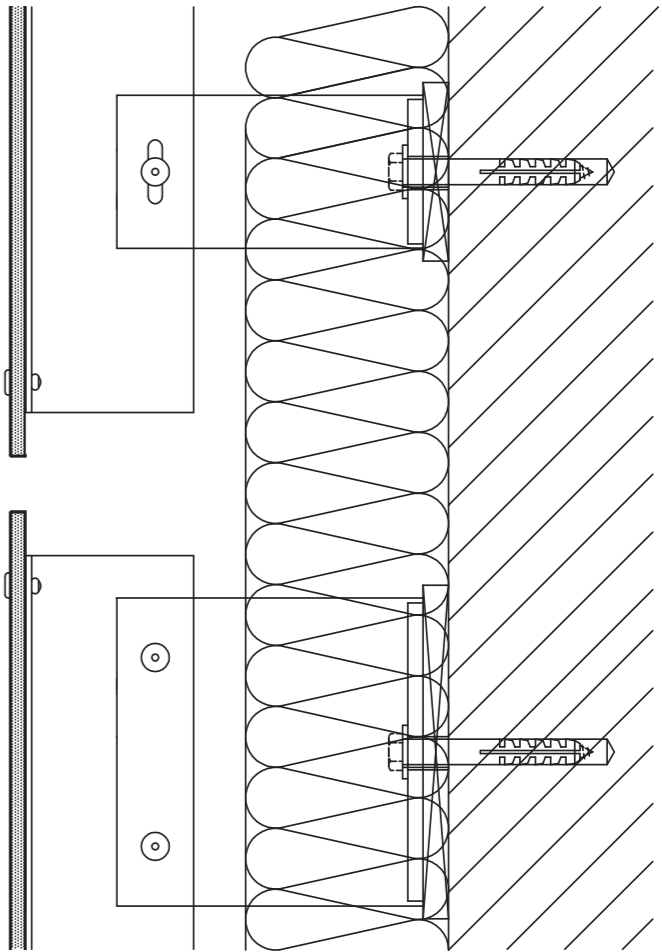
sat	sun	mon	tue	wed	thu	fri	sat	sun	mon	tue	wed	thu	fri	sat	sun	mon	tue	wed	thu	fri	sat	sun	mon	tue	wed	thu	fri	sat
1	2	3	4	5	6	7	8	9	10	11	12	13	14	15	16	17	18	19	20	21	22	23	24	25	26	27	28	29
					wk 6						wk 7					wk 8							wk 9					

ALUCOBOND®

Design | Construction ALUCOBOND® Ecoclad System - Riveted



Horizontal Section



Vertical Section

All drawings are for illustration only. For design details suitable for your location contact our technical service or an ALUCOBOND® representative nearest to you.

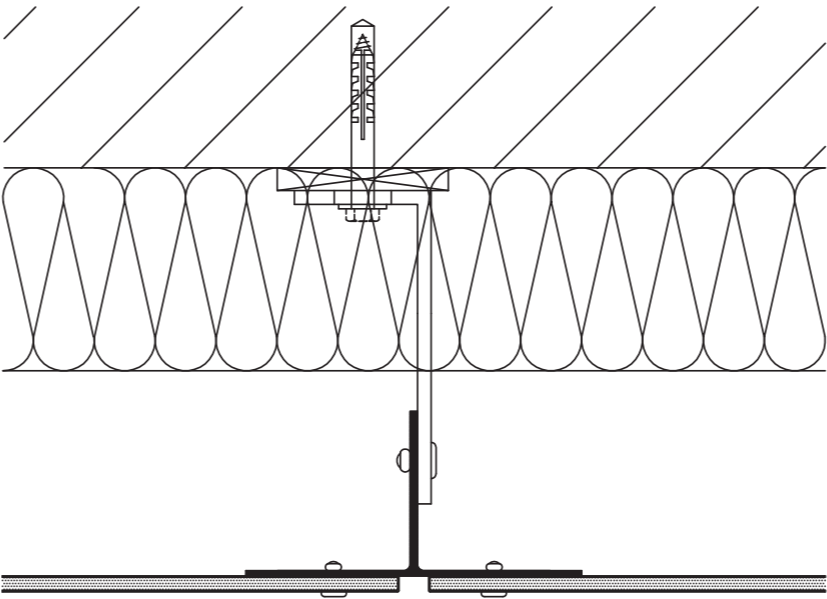
Great Northern Way Pavilion
Vancouver, BC | Canada

Building Owner : PCI Developments
Architect : Perkins + Will
Completed : 2018
Fabricator | Installer : Keith Panel Systems
Product : ALUCOBOND® PLUS 4mm
Surface Finish : PVDF / FEVE coil-coated
Colour : Rosy Starburst (custom)
Photos : Robert Stefanowicz

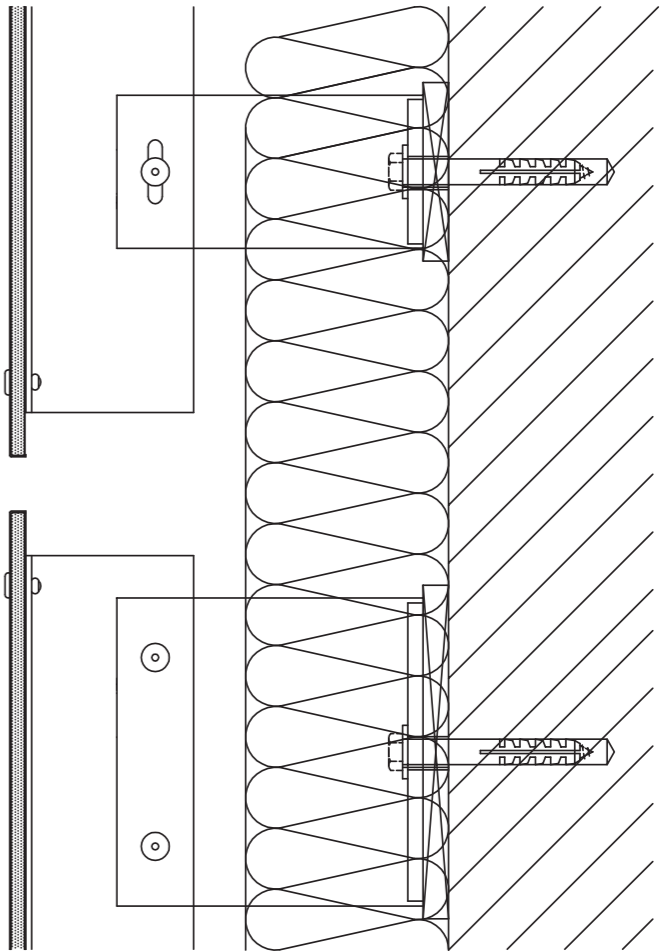


ALUCOBOND®

Design | Construction ALUCOBOND® Ecoclad System - Riveted



Horizontal Section



Vertical Section

All drawings are for illustration only. For design details suitable for your location contact our technical service or an ALUCOBOND® representative nearest to you.

Equinix Datacenter AM4
Amsterdam | Netherlands

Building Owner : Equinix
Architect : Benthem Crouwel Architects
Completed : 2017
Fabricator | Installer : Prince Cladding
Product : ALUCOBOND® A2 4mm
Surface Finish : PVDF / FEVE coil-coated
Colour : NaturAL PURE 402 (custom), Special Color
Photos : Jannes Linders



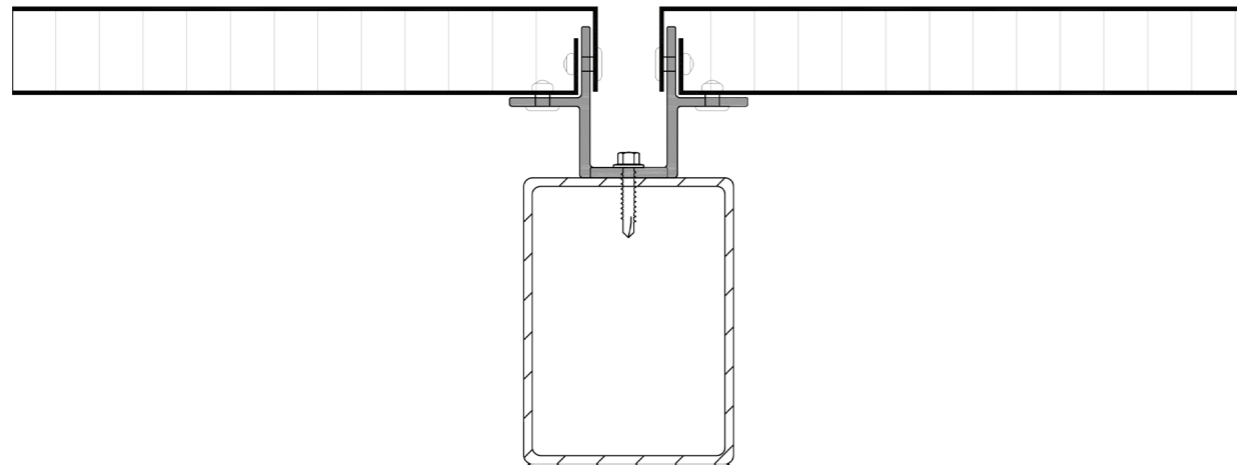
ALUCORE[®] clad



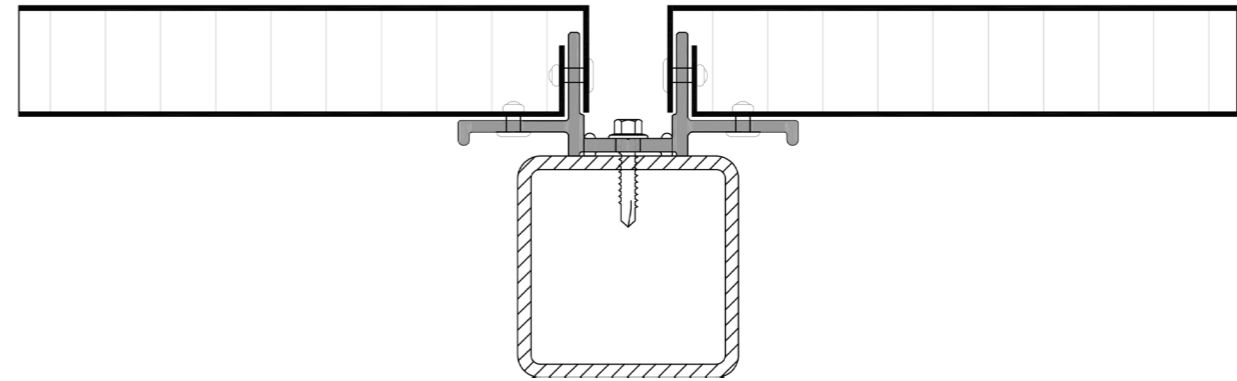
Beijing Daxing International Airport | Beijing | China

April 2020

wed	thu	fri	sat	sun	mon	tue	wed	thu	fri	sat	sun	mon	tue	wed	thu	fri	sat	sun	mon	tue	wed	thu							
1	2	3	4	5	6	7	8	9	10	11	12	13	14	15	16	17	18	19	20	21	22	23	24	25	26	27	28	29	30
wk 14				wk 15				wk 16				wk 17				wk 18													



Horizontal Section



Vertical Section

All drawings are for illustration only. For design details suitable for your location contact our technical service or an ALUCOBOND[®] representative nearest to you.

Beijing Daxing International Airport
Beijing | China

Building Owner : Beijing Daxing International Airport
Architect : ADP Ingenierie
Completed : 2019
Fabricator | Installer : Beijing Construction Engineering Group
Product : ALUCORE[®] clad 25mm
Surface Finish : PVDF / FEVE coil-coated
Colour : Golden (custom), White (custom)
Photos : Zhaoqi Li



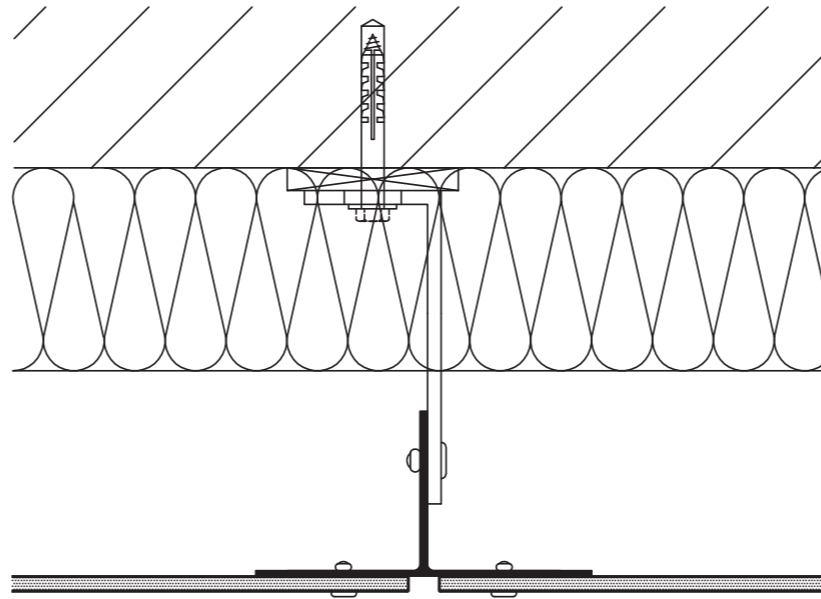
Oriental Financial Center | Beijing | China

May 2020

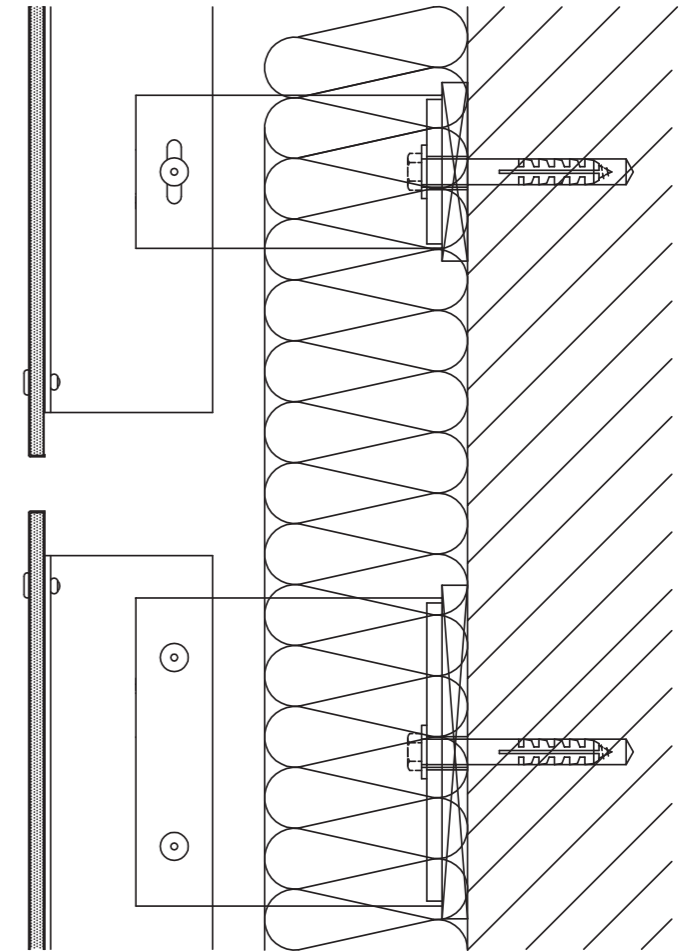
fri	sat	sun	mon	tue	wed	thu	fri	sat	sun	mon	tue	wed	thu	fri	sat	sun	mon	tue	wed	thu	fri	sat	sun							
1	2	3	4	5	6	7	8	9	10	11	12	13	14	15	16	17	18	19	20	21	22	23	24	25	26	27	28	29	30	31
wk 19							wk 20							wk 21							wk 22									

ALUCOBOND®

Design | Construction ALUCOBOND® Ecoclad System - Riveted



Horizontal Section



Vertical Section

All drawings are for illustration only. For design details suitable for your location contact our technical service or an ALUCOBOND® representative nearest to you.

Oriental Financial Center
Beijing | China

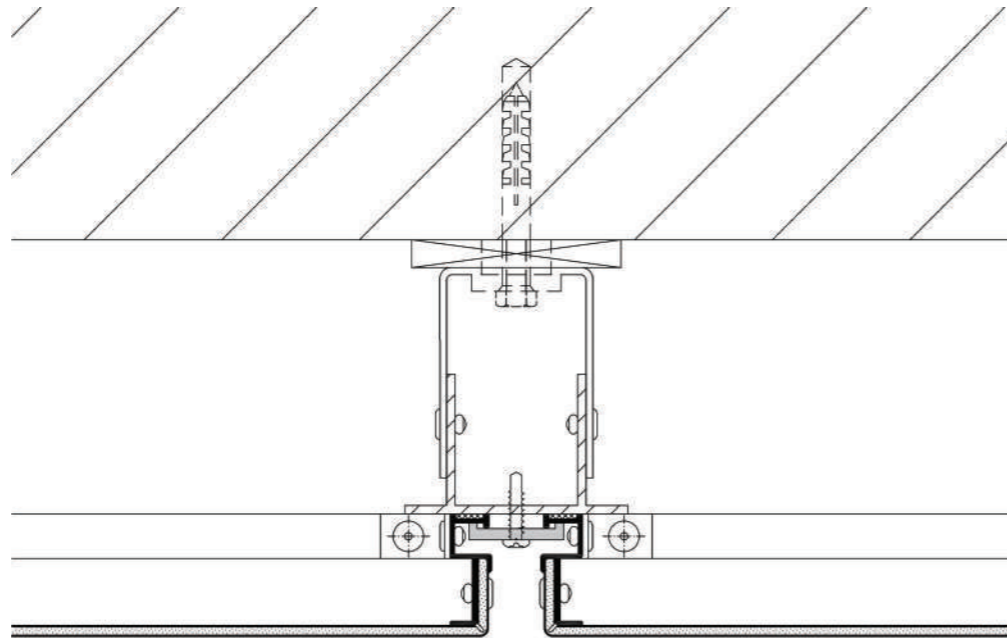
Building Owner : Oriental Group
Architect : ECADI
Completed : 2019
Fabricator | Installer : China Construction Eight Engineering Division Crop.Ltd
Product : ALUCOBOND® A2 4mm
Surface Finish : PVDF / FEVE coil-coated
Colour : Spectra Sakura 9917, Copper Metallic 8704
Photos : Mark Shen



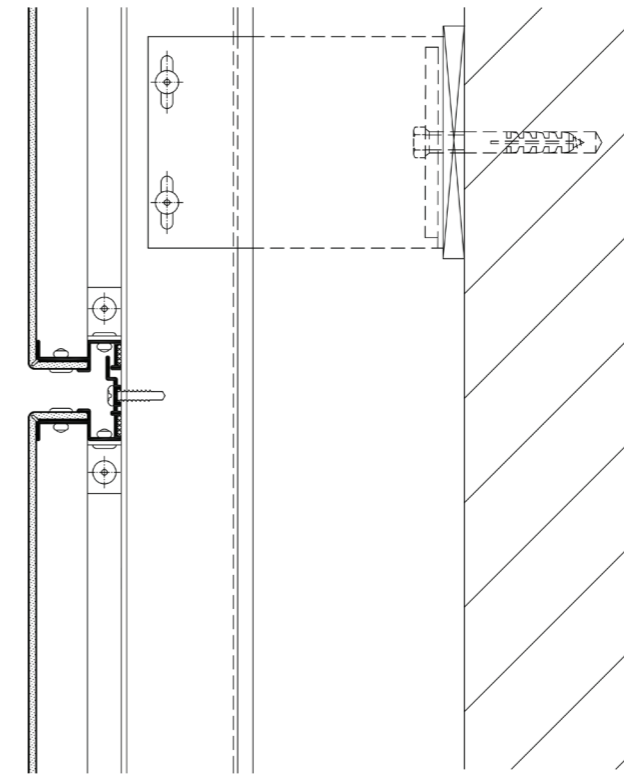
Regatta Condominium | Jakarta | Indonesia

June 2020

mon	tue	wed	thu	fri	sat	sun	mon	tue	wed	thu	fri	sat	sun	mon	tue	wed	thu	fri	sat	sun	mon	tue							
1	2	3	4	5	6	7	8	9	10	11	12	13	14	15	16	17	18	19	20	21	22	23	24	25	26	27	28	29	30
wk 23							wk 24							wk 25							wk 26								



Horizontal Section



Vertical Section

All drawings are for illustration only. For design details suitable for your location contact our technical service or an ALUCOBOND® representative nearest to you.

Regatta Condominium
Jakarta | Indonesia

Building Owner : Badan Kerjasama Mutiara Buana
Architect : PT.Arteliar 6 Arsitek
Completed : 2019
Fabricator | Installer : PT.Pangkal Multikarya
Product : ALUCOBOND® PLUS 4mm
Surface Finish : PVDF / FEVE coil-coated
Colour : White 16 101
Photos : Regatta



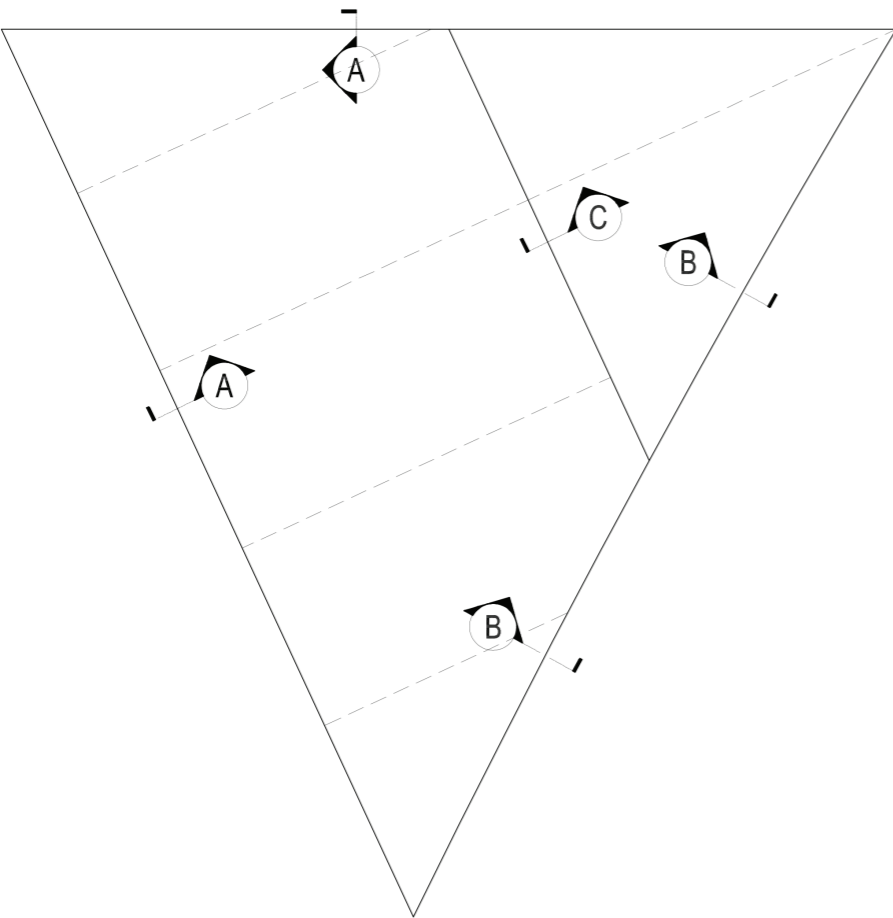
Jewel@Changi Airport-Dome | Singapore

July 2020

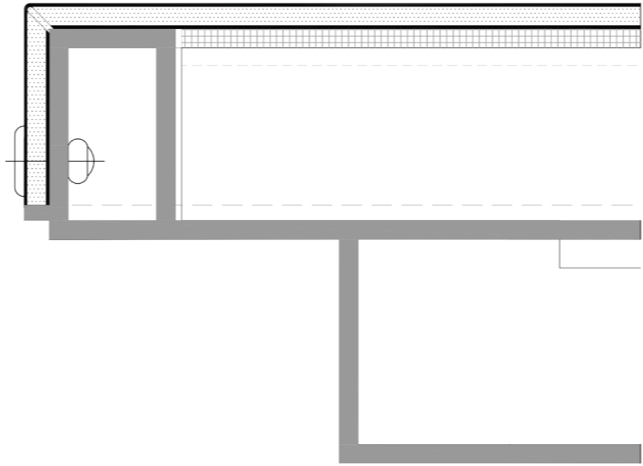
wed	thu	fri	sat	sun	mon	tue	wed	thu	fri	sat	sun	mon	tue	wed	thu	fri	sat	sun	mon	tue	wed	thu	fri							
1	2	3	4	5	6	7	8	9	10	11	12	13	14	15	16	17	18	19	20	21	22	23	24	25	26	27	28	29	30	31
wk 27				wk 28				wk 29				wk 30				wk 31														

ALUCOBOND®

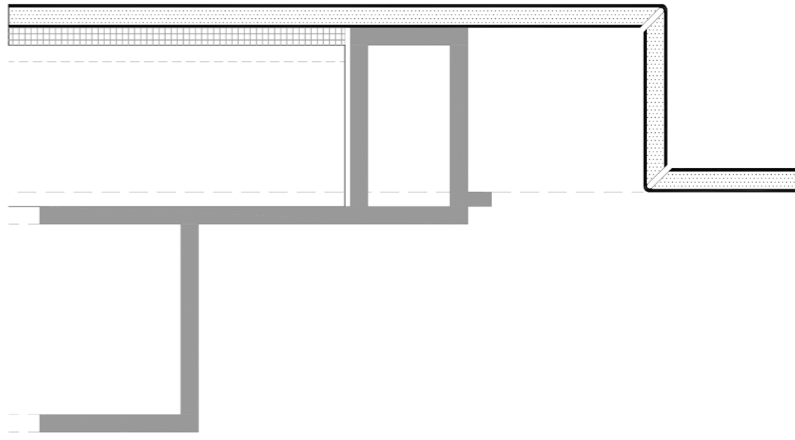
Design | Construction ALUCOBOND® Triangular Tray Panel System



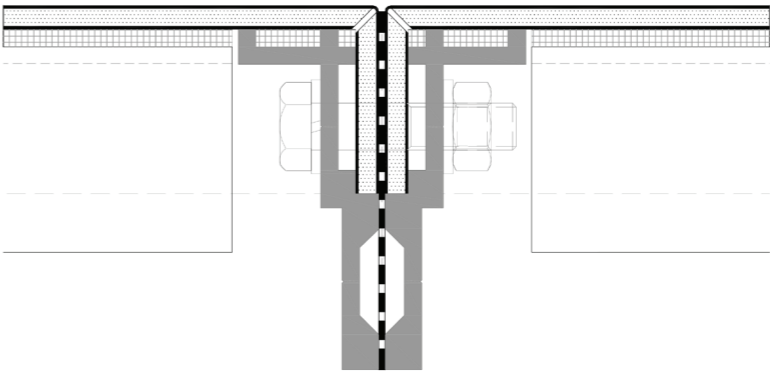
Plan View



SECTION - A



SECTION - B



SECTION - C

All drawings are for illustration only. For design details suitable for your location contact our technical service or an ALUCOBOND® representative nearest to you.

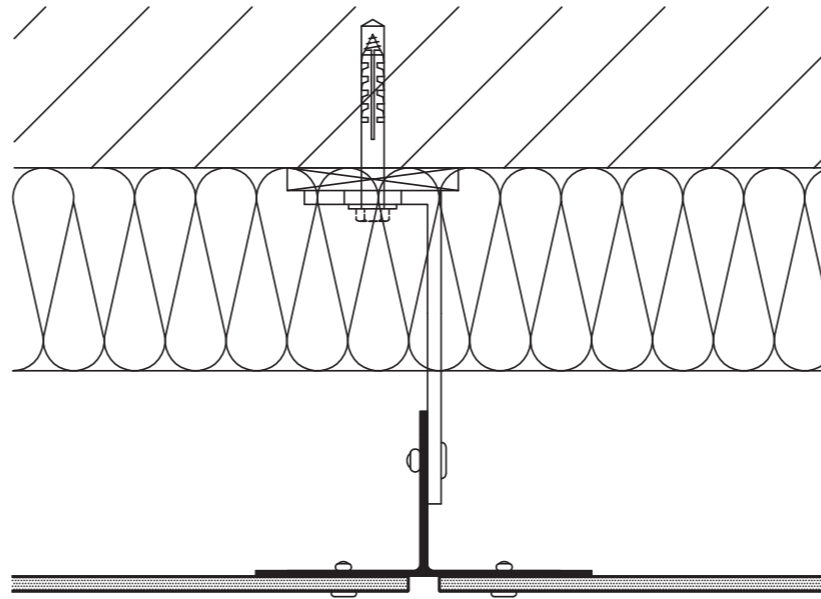
Jewel@Changi Airport-Dome
Singapore

Building Owner : Changi Airport Group
Architect : Safdie Architect/RSP Architect
Completed : 2018
Fabricator | Installer : Mero Asia Pacific Pte Ltd
Product : ALUCOBOND® PLUS 4mm
Surface Finish : PVDF / FEVE coil-coated
Colour : Sunrise Silver Metallic 600, Jewel Silver Grey 9696 (custom)
Photos : Fotograffiti

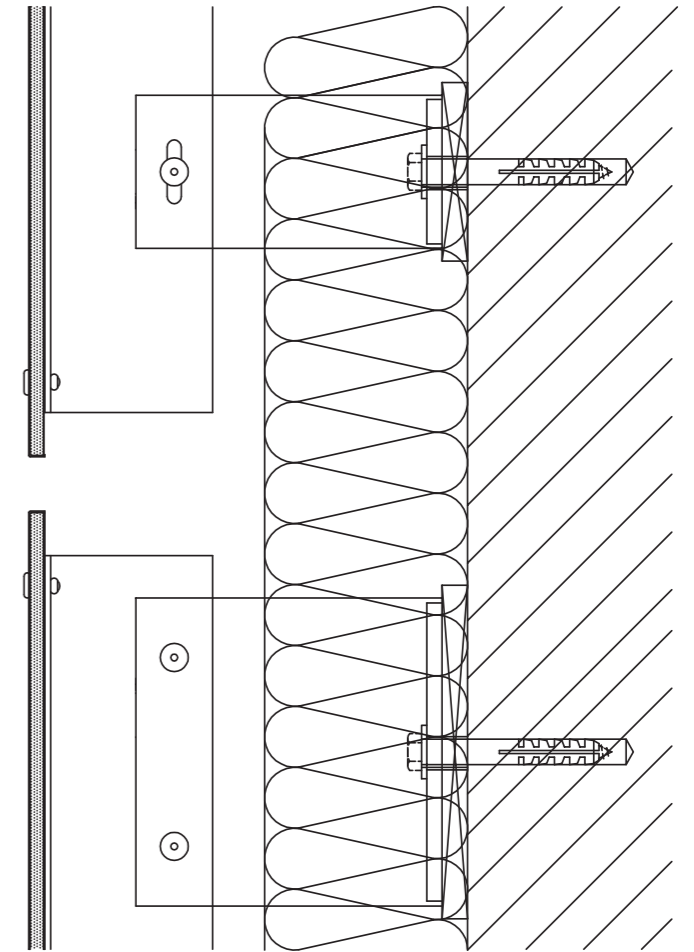


ALUCOBOND®

Design | Construction ALUCOBOND® Ecoclad System - Riveted



Horizontal Section



Vertical Section

All drawings are for illustration only. For design details suitable for your location contact our technical service or an ALUCOBOND® representative nearest to you.

ICONSIAM
Bangkok | Thailand

Building Owner : ICONSIAM Co., Ltd.
Architect : Urban Architects Co., Ltd.
Completed : 2018
Fabricator | Installer : SP GROUP (Sompong Panich Group) & PAC
Product : ALUCOBOND® PLUS 4mm (M2M)
Surface Finish : PVDF / FEVE coil-coated
Colour : ICONSIAM Gold 9646 (custom)
Photos : Panoramic Studio



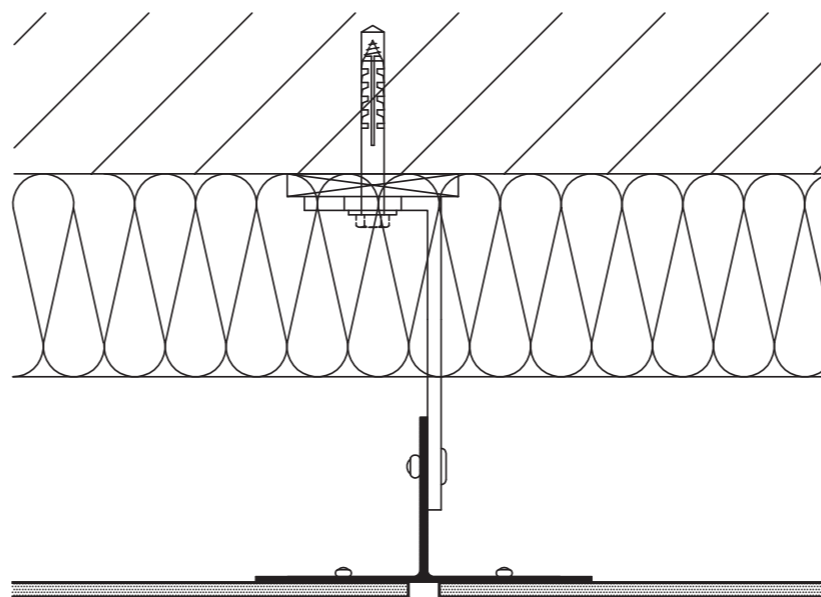
Holcom Building | Beirut | Lebanon

September 2020

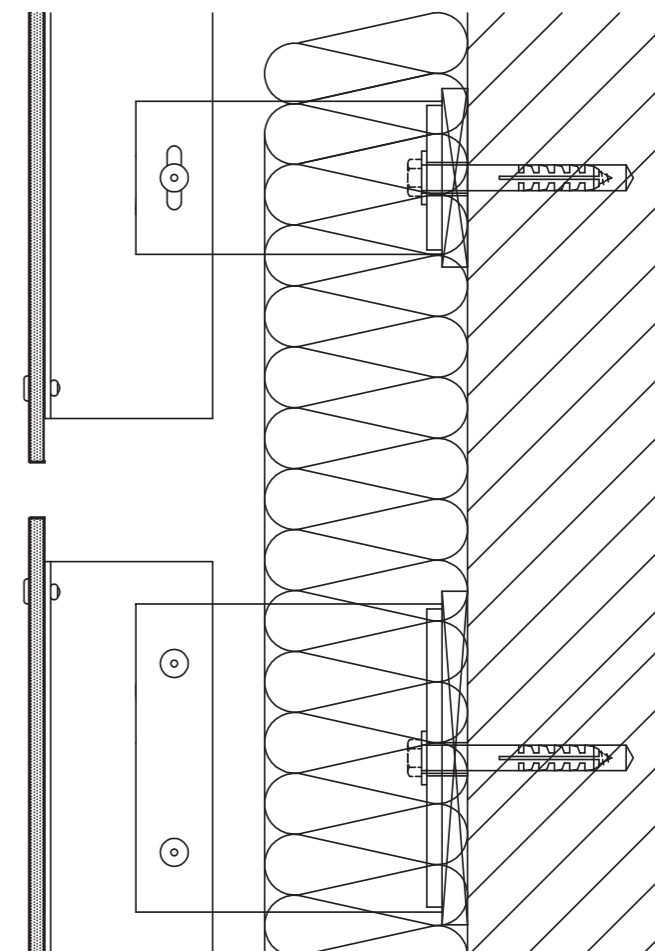
tue	wed	thu	fri	sat	sun	mon	tue	wed	thu	fri	sat	sun	mon	tue	wed	thu	fri	sat	sun	mon	tue	wed	thu	fri	sat	sun	mon	tue	wed
1	2	3	4	5	6	7	8	9	10	11	12	13	14	15	16	17	18	19	20	21	22	23	24	25	26	27	28	29	30
wk 36						wk 37						wk 38						wk 39											

ALUCOBOND®

Design | Construction ALUCOBOND® Ecoclad System - Riveted



Horizontal Section



Vertical Section

All drawings are for illustration only. For design details suitable for your location contact our technical service or an ALUCOBOND® representative nearest to you.

Holcom Building
Beirut | Lebanon

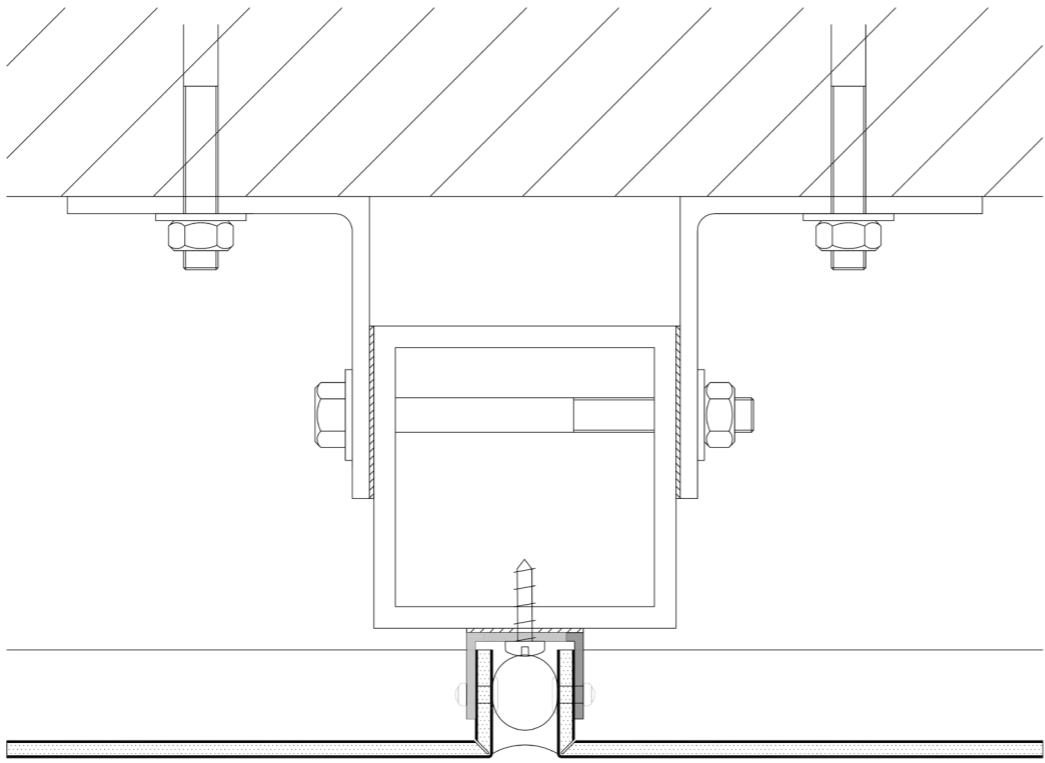
Building Owner : Holcom group
Architect : Lombardini22 – Italy
Completed : 2016
Fabricator | Installer : Anid Construction
Product : ALUCOBOND® PLUS 4mm
Surface Finish : PVDF / FEVE coil-coated
Colour : NaturAL Reflect 405
Photos : Ieva Saudargaitė



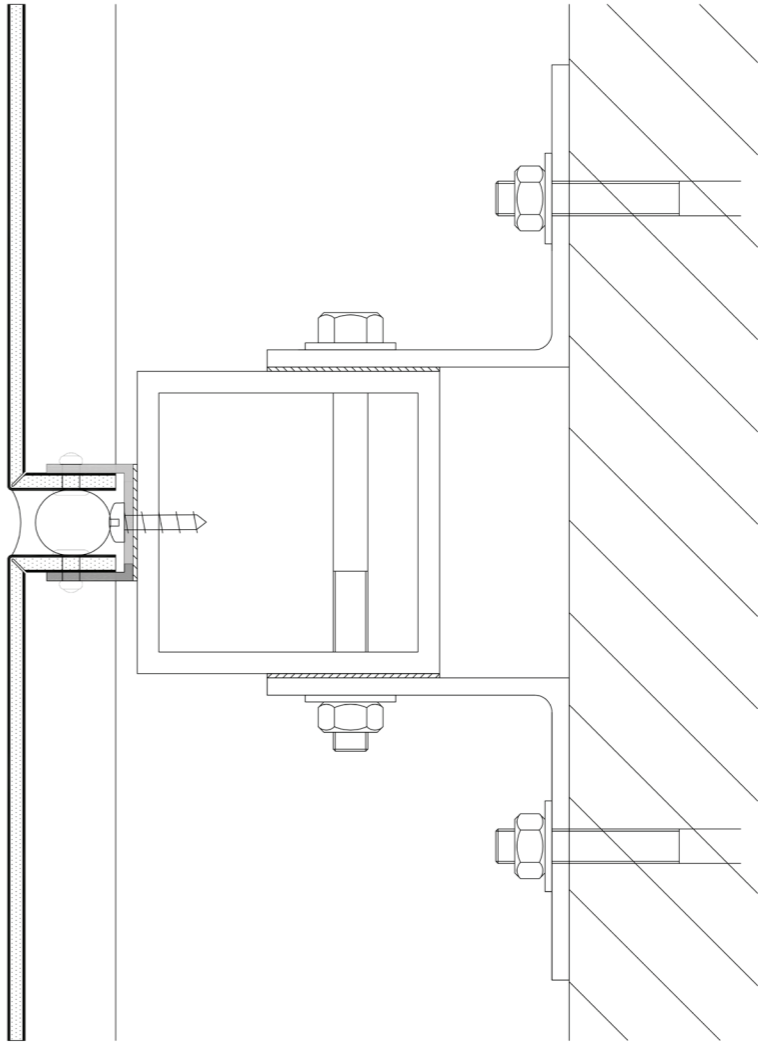
Chennai Airport | Chennai | India

October 2020

thu	fri	sat	sun	mon	tue	wed	thu	fri	sat	sun	mon	tue	wed	thu	fri	sat	sun	mon	tue	wed	thu	fri	sat	sun	mon	tue	wed	thu	fri	sat
1	2	3	4	5	6	7	8	9	10	11	12	13	14	15	16	17	18	19	20	21	22	23	24	25	26	27	28	29	30	31
wk 40				wk 41				wk 42				wk 43				wk 44														



Horizontal Section



Vertical Section

All drawings are for illustration only. For design details suitable for your location contact our technical service or an ALUCOBOND® representative nearest to you.

Chennai Airport
Chennai | India

Building Owner : Airport Authorities of India
Architect : AECOM
Completed : 2018
Fabricator | Installer : RR Thulasi Builders
Product : ALUCOBOND® PE 4mm
Surface Finish : PVDF / FEVE coil-coated
Colour : Light Grey 104
Photos : Desharp studios

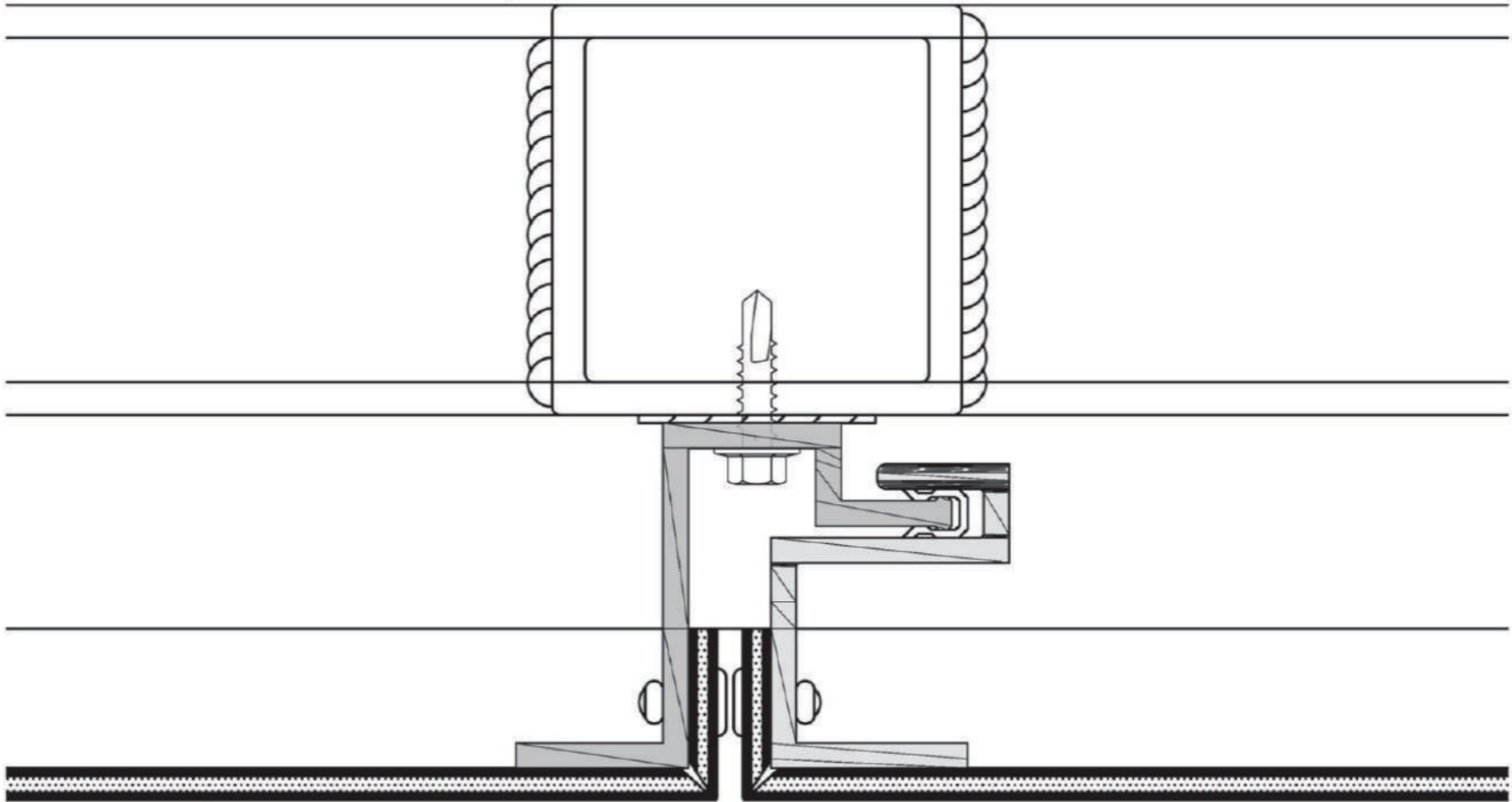




Yotel Hotel | Singapore

November 2020

sun	mon	tue	wed	thu	fri	sat	sun	mon	tue	wed	thu	fri	sat	sun	mon	tue	wed	thu	fri	sat	sun	mon												
1	2	3	4	5	6	7	8	9	10	11	12	13	14	15	16	17	18	19	20	21	22	23	24	25	26	27	28	29	30					
							wk 45							wk 46							wk 47							wk 48						



Joint Section

All drawings are for illustration only. For design details suitable for your location contact our technical service or an ALUCOBOND® representative nearest to you.

Yotel Hotel
Singapore

Building Owner : Yat Yuen Hong Company Limited
Architect : DP Architects Pte Ltd
Completed : 2017
Fabricator | Installer : Jinyue Aluminum Engineering (S) Pte Ltd
Product : ALUCOBOND® PLUS 4mm
Surface Finish : PVDF / FEVE coil-coated
Colour : NaturAL Reflect 405
Photos : Fotograffiti





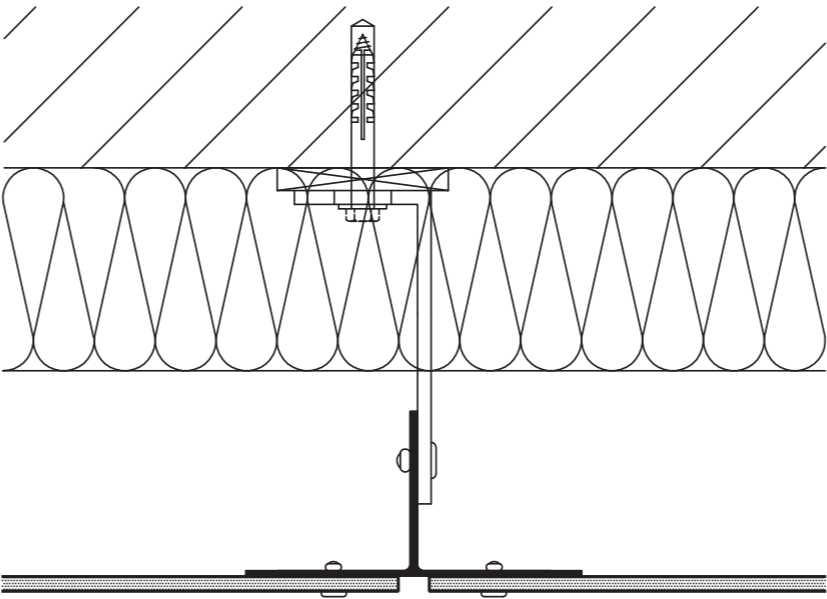
C.H. Robinson Midwest Headquarters | Chicago, Illinois | USA

December 2020

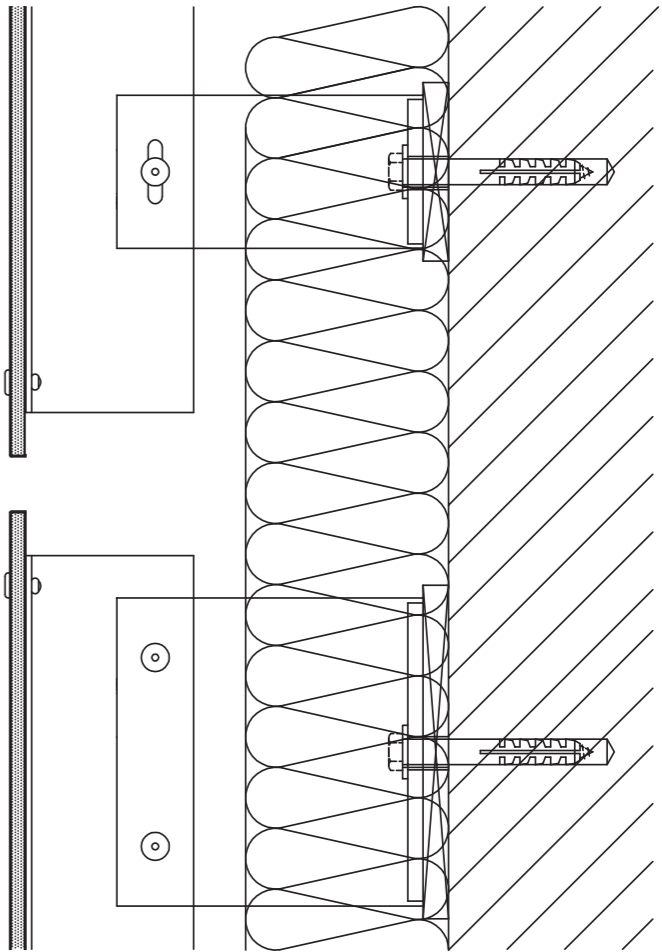
tue	wed	thu	fri	sat	sun	mon	tue	wed	thu	fri	sat	sun	mon	tue	wed	thu	fri	sat	sun	mon	tue	wed	thu	fri	sat	sun	mon	tue	wed	thu
1	2	3	4	5	6	7	8	9	10	11	12	13	14	15	16	17	18	19	20	21	22	23	24	25	26	27	28	29	30	31
wk 49						wk 50						wk 51						wk 52						wk 53						

ALUCOBOND®

Design | Construction ALUCOBOND® Ecoclad System - Riveted



Horizontal Section



Vertical Section

All drawings are for illustration only. For design details suitable for your location contact our technical service or an ALUCOBOND® representative nearest to you.

C.H. Robinson Midwest Headquarters
Chicago, Illinois | USA

Building Owner : Sterling Bay
Architect : Skidmore, Owings & Merrill LLP (SOM)
Completed : 2018
Fabricator | Installer : Sobotec Ltd.
Product : ALUCOBOND® PLUS 4mm
Surface Finish : PVDF / FEVE coil-coated
Colour : BMB Sunlight Silver Mica (custom)
Photos : © Mark Kempf Photography

